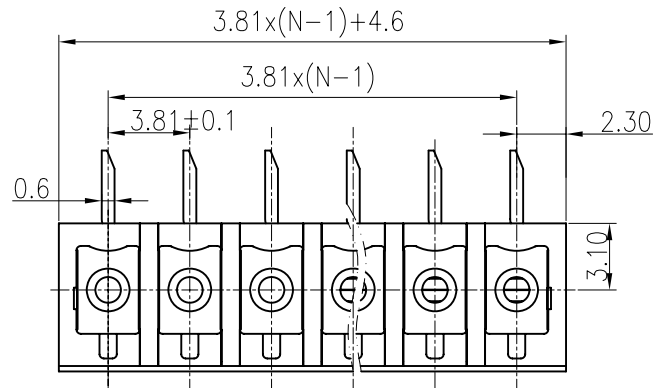
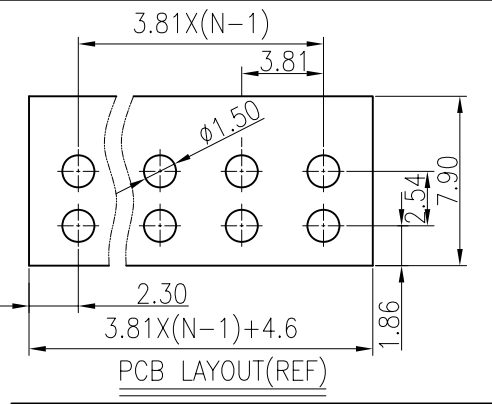


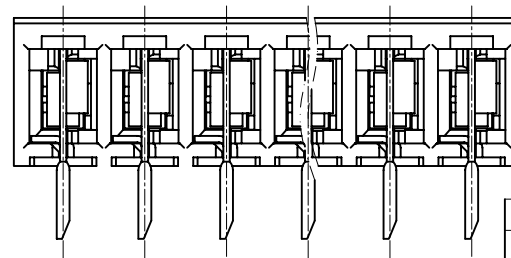
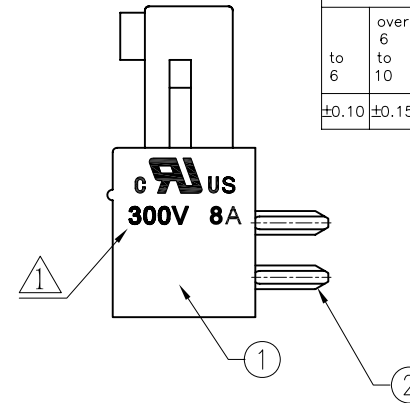
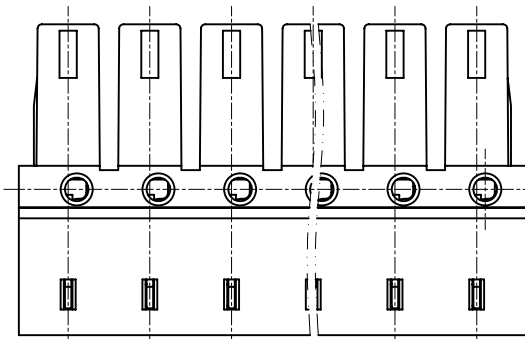
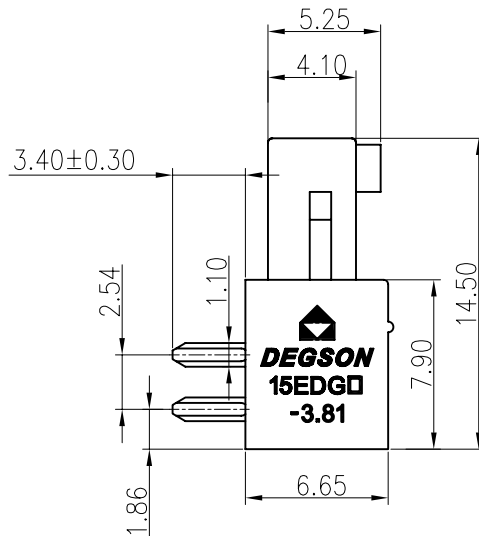
REVISION RECORD				
REV	ECO	DESCRIPTION	DRFT	DATE
△	10-0068	增加UL刻字及参数	GHY	04/07/10



Notes:

1. Pitch: 3.81mm poles: 2-24p
2. Rated voltage/current: UL 300V/8A  
IEC 250V/7A
3. Insulation Resistance: 5000MΩ/DC1000V
4. Withstanding voltage: AC2000V/1min
5. Temp. Range: -40° C~+105° C
6. Undimensioned Tolerances:

Pitch range in mm		Nominal dimension range in mm						
to 6	over 6 to 10	over 10 to 24	over 30 to 60	over 60 to 100	over 100 to 150	over 150	∩	
±0.10	±0.15	±0.25	±0.2	±0.3	±0.5	±0.7	∇	



2	15EDGKA-3.81-Clamp	1205B00010(H)	XX	Phosphor bronze	Snce plated
---	--------------------	---------------	----	-----------------	-------------

1	15EDGA-3.81-Housng	1205A0YXXA(H)	1	PA66	UL94V-0
ITEM	NAME OF PART	NO. OF PART	Q'TY	MATERIAL	NOTES
DETACHED LISTS	MM (INCH)	DFTO Zhwwm	DATE 10/17/08"	宁波高正电子有限公司 DEGSON ELECTRONICS CO., LTD NAME 15EDGA-3.81-XXP-1Y-00A(H)	
	TOLERANCES EXCEPT AS NOTED	CHKD	DATE		
	MM	MFO	DATE		
	.0 ±	APPVL	DATE		
.00 ±	MATERIAL :		DRAWING NO. 15EDGA-3.81-E01		SIZE A3
.000 ±	FINISH :		/PART NO.		REV T1 04/07/10"
ANGLES ± 1°	SCALE : 1:1		DO NOT SCALE DRAWING		SHEET 1 OF 1
THIRD ANGLE PROJECTION					