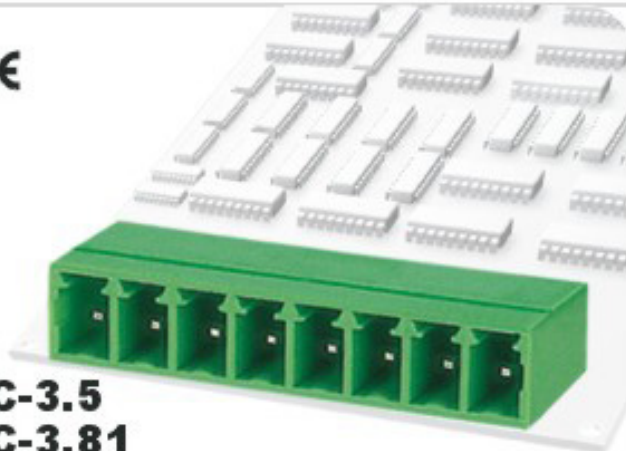


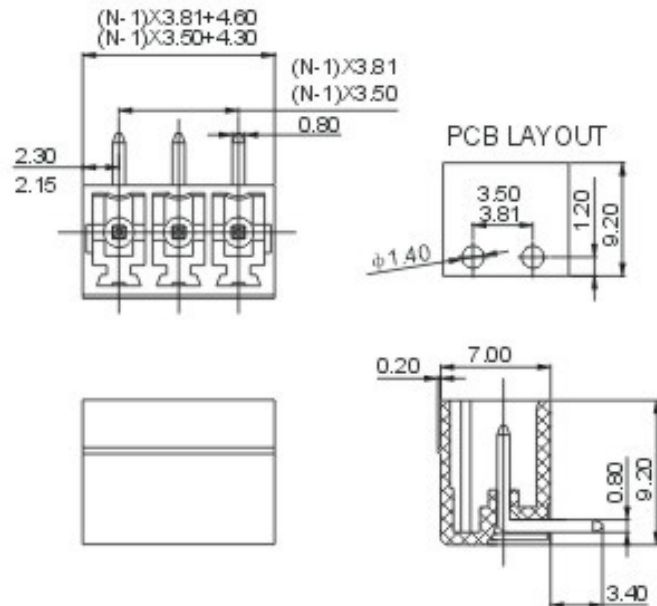


DEGSON ELECTRONICS CO., LTD.

Product Specification



15EDGRC-3.5
15EDGRC-3.81



Approval



Electrical

Standard	UL	IEC
Rated voltage	300V	250V
Rated current	8A	7A
With standing voltage	AC2000V/1Min	

Mechanical

Ambient temperature	-40°C ~ +105°C
---------------------	----------------

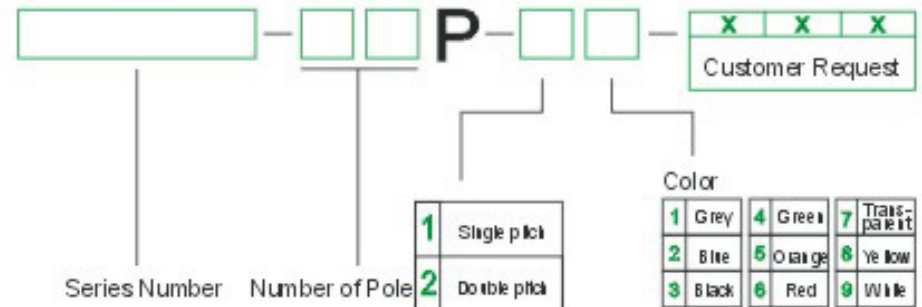
Dimensions

Pitch	3.5mm (.138") / 3.81mm (.150")
Poles	2P - 24P

Material

Housing	PA66, UL94V-0
Pin header	Brass, Tin plated

HOW TO ORDER



DEGSON ELECTRONICS CO., LTD.



NAME

15EDGRC-3.5
15EDGRC-3.81