

GENERAL OPERATING CHARACTERISTICS

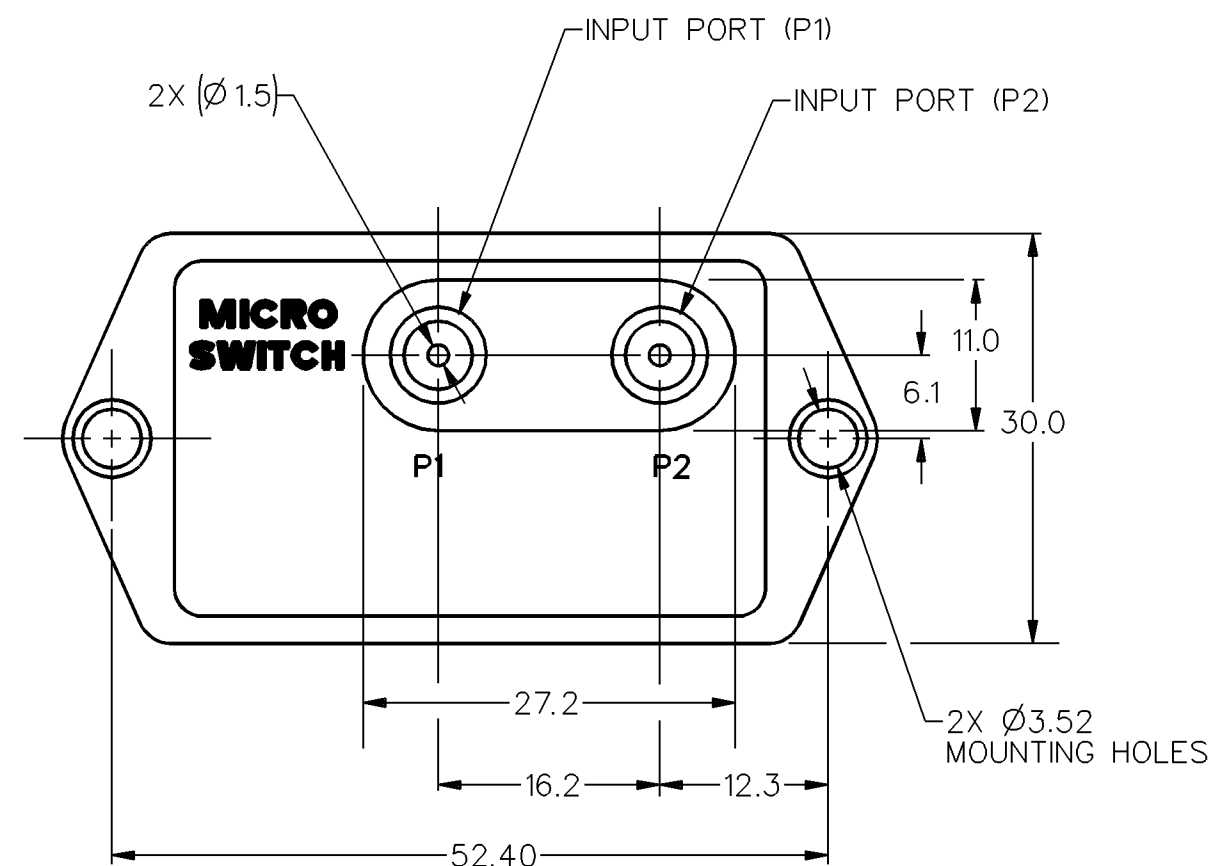
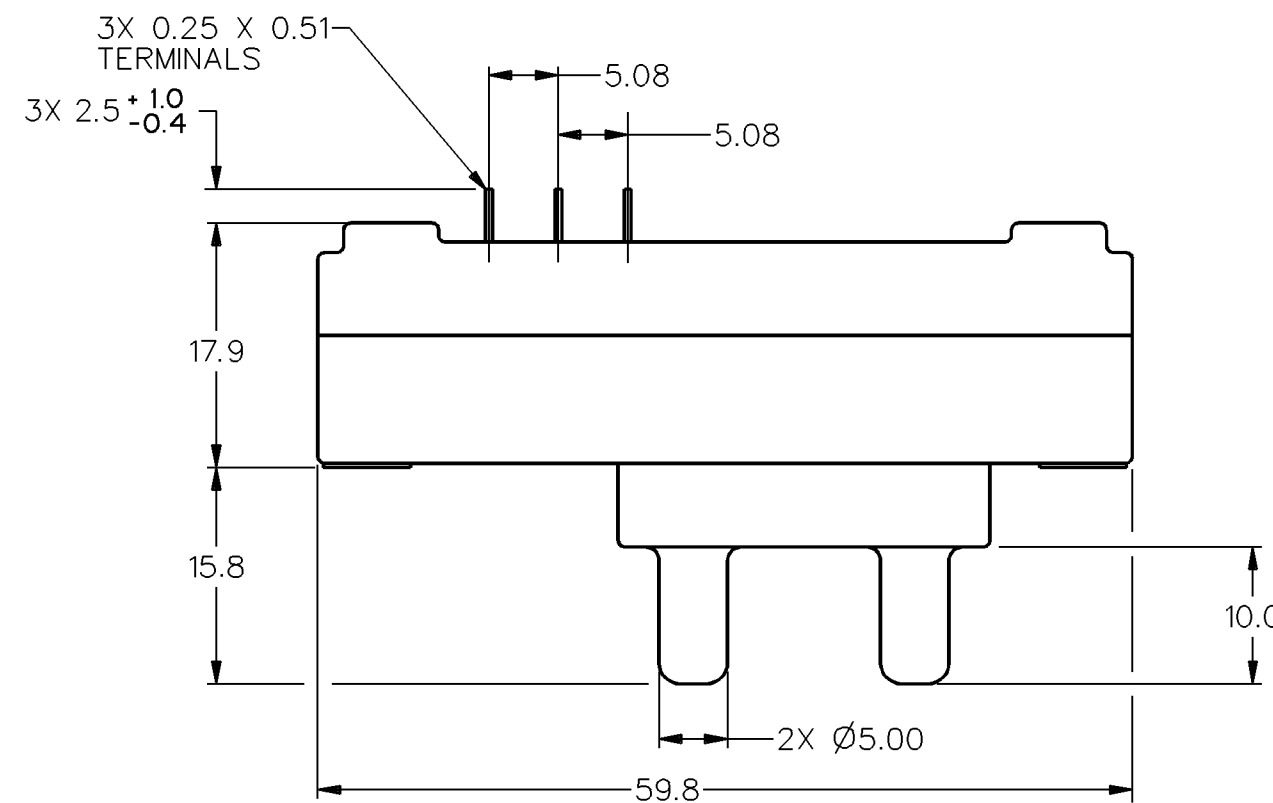
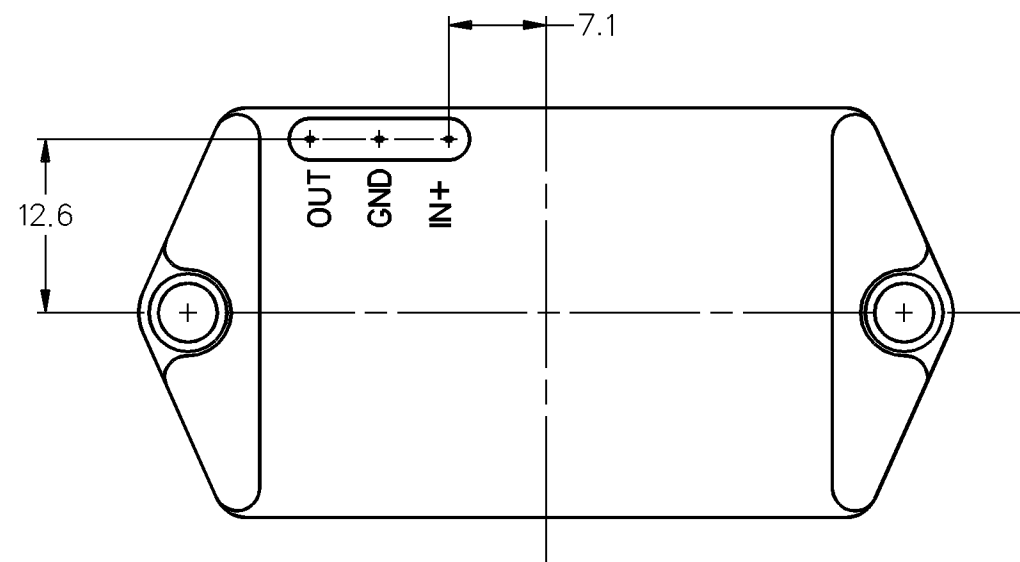
PRESSURE RANGE	0 TO 5 IN. H ₂ O
OVERPRESSURE	5 PSI
TEMPERATURE RANGES	5°C TO 45°C
SUPPLY VOLTAGE	8 VDC
SUPPLY CURRENT	20 mA MAX WITH 10K LOAD
SHORT CIRCUIT LIMIT	MAY BE SHORTENED INDEFINITELY
OUTPUT RIPPLE	NONE
GROUND REFERENCE	SUPPLY AND OUTPUT ARE COMMON

ELECTRICAL PERFORMANCE AT 25°C AND 8.00±0.01 VDC SUPPLY

OUTPUT VOLTAGE	
NULL (0 PSI)	1.000±.100 VDC
FULL SCALE (5 IN. H ₂ O)	6.00±.20 VDC (P ₂ > P ₁)
SENSITIVITY	(1V/IN. H ₂ O)
LINEARITY (%F.S.O.) Δ (BFSL)	±1.0 (P ₂ < P ₁) ±2.0 (P ₂ > P ₁)
HYSTERESIS & REPEATABILITY (%F.S.O.) Δ	±0.15 TYP
TEMPERATURE ERROR (%F.S.O.) Δ	
5° < 25° > 45°C	±1.25 MAX
-40° < 25° > 85°C	±2.0 TYP
RESPONSE TIME	1 mSEC MAX

NOTES

- 1 - INPUT MEDIA:
P1 - DRY GASES ONLY: CONNECTION SIDE OF SENSOR
P2 - LIMITED ONLY TO THOSE MEDIA THAT WILL NOT ATTACK POLYESTER, SILICON OR SILICONE BASED ADHESIVE
 - 2 - TERMINALS ARE PLATED FOR SOLDERING
 - 3 - LIMIT SOLDERING TO 315°C MAX FOR 10 SECONDS MAX
 - 4 - UNITS ARE OF PLASTIC CONSTRUCTION
- Δ F.S.O. IS THE ALGEBRAIC DIFFERENCE BETWEEN THE OUTPUT END POINTS (NULL AND FULL PRESSURE)



METRIC	INCH
0.4	.016
0.25	.010
0.51	.020
1.0	.039
1.5	.04
2.5	.099
3.52	.139
5.00	.197
5.08	.200
6.1	.240
7.1	.280
10.0	.39
11.0	.43
12.3	.484
12.6	.496
15.8	.51
16.2	.64
17.9	.70
27.2	1.07
30.0	1.18
52.40	2.06
59.8	2.35

THIRD ANGLE PROJECTION

SCALE 2:1

DO NOT SCALE PRINT

UNLESS OTHERWISE SPECIFIED TOLERANCES ARE

NO PLACE	(0)	± 1 mm
ONE PLACE	(0.0)	± 0.4 mm
TWO PLACE	(0.00)	± 0.15 mm
ANGLES		±

WEIGHT 31 GRAMS

THIS DRAWING COVERS A PROPRIETARY ITEM AND IS THE PROPERTY OF MICRO SWITCH, A DIVISION OF HONEYWELL. THIS DRAWING IS NOT TO BE COPIED OR USED WITHOUT THE APPROVAL OF MICRO SWITCH.

MICRO SWITCH a Honeywell Division <small>FED. MFG. CODE 91929</small>	LOW PRESSURE TRANSDUCER	CATALOG LISTING 164PC01D76
	WEIGHT 31 GRAMS	

DRAWING NUMBER: 164PC01D76
 PAGE 1 OF 1
 ISSUE 4
 REVISIONS:
 A 070340 J.A.S. 10 MAY 91
 B 05394 8 FEB 00
 C 0064547 19 MAY 10
 CHECKED: J.A.S. 27 AUG 90
 DRAWN: K.A.G. 23 AUG 90
 FORMTEK

Mouser Electronics

Authorized Distributor

Click to View Pricing, Inventory, Delivery & Lifecycle Information:

[Honeywell:](#)

[164PC01D76](#)