

D-SUB Series

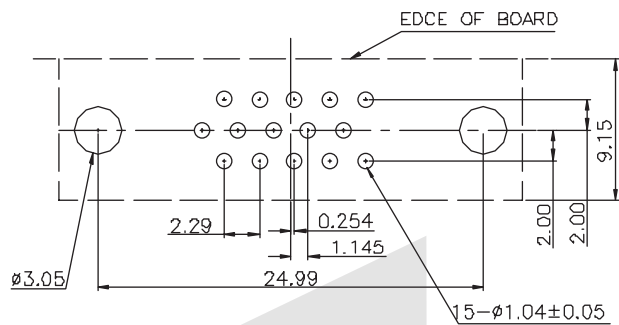
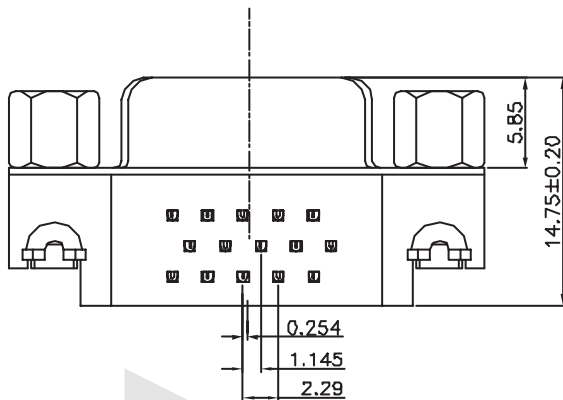
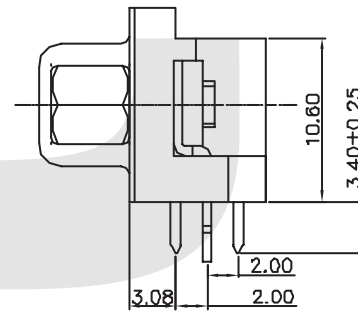
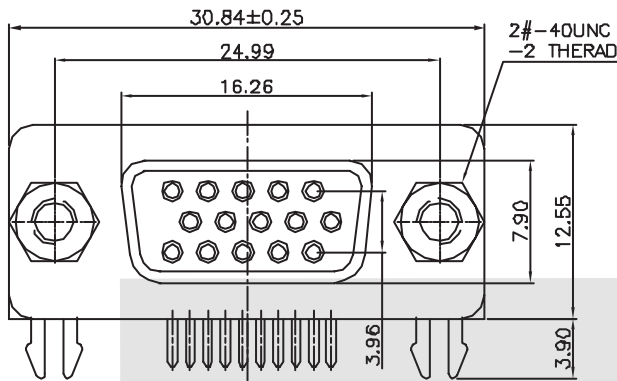
KLS1-415 D-SUB 3 ROW SOLDER RIGHT ANGLE 3.08mm TYPE

Electrical Specification:

Current Rating: 2 AMP
 Insulator Resistance: 5000M ohms min. at DC 500V
 Contact Resistance: 20m ohms max. at DC 100mA
 Operating Temperature: -55°C~+105°C

Material:

Housing: 30% Glass filled PBT UL94V-0
 Contacts: Phosphor Bronze
 Shell: Steel, 100u" Tin Over 50u" min Nickel
 Clinch Nut: Brass, 100u" min Nickel Plated
 Screwlock: Brass, 100u" min Nickel Plated



RECOMMENDED P.C.B. LAYOUT

ORDER INFORMATION

Product NO.: KLS1-415-XX -F -L

Pos. NO. _____ L=Blue B=Black
 001=001 pos.
 Contact Number of Row _____
 415=HDR Series
 Number of Contacts: XX=15Pin _____ F=Female