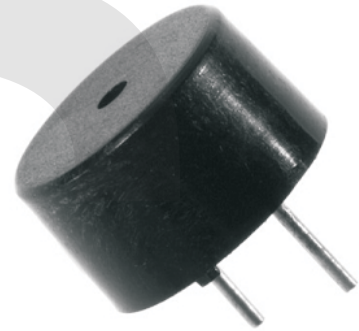
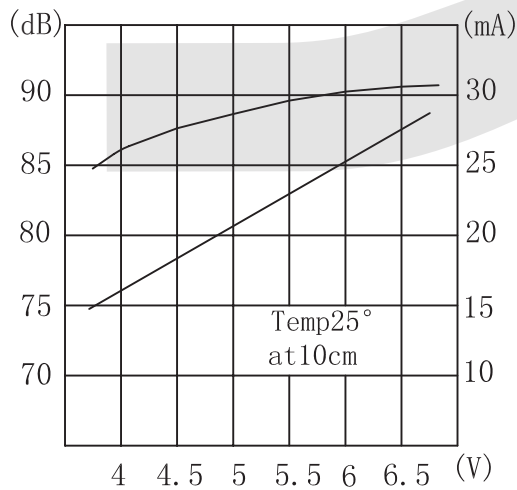
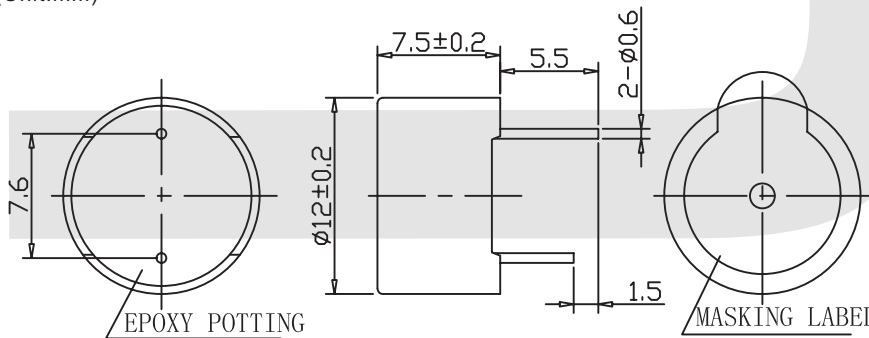


Magnetic Transducer Buzzer Series

KLS3-MWC-12*7.5 $\phi 12*7.5$ mm With Circuit Magnetic Transducer Buzzer Series



Dimensions (Unit:mm)



Order Code	Rated Voltage	Operating Voltage	Max. Rated Current	Min. S.P.L. (@ 10cm)	Resonant Frequency	Operating Temp	Weight
KLS3-MWC-12*7.5-A1	3V _{DC}	2~5V _{DC}	30mA	85dB	3.1 ±0.5KHz	-20 ~ +70 °C	2g
KLS3-MWC-12*7.5-A2	3V _{DC}	2~5V _{DC}	30mA	85dB	2.3 ±0.5KHz		
KLS3-MWC-12*7.5-B1	5V _{DC}	3~7V _{DC}	30mA	85dB	3.1 ±0.5KHz		
KLS3-MWC-12*7.5-B2	5V _{DC}	3~7V _{DC}	30mA	85dB	2.3 ±0.5KHz		
KLS3-MWC-12*7.5-C1	12V _{DC}	9~15V _{DC}	30mA	85dB	3.1 ±0.5KHz		
KLS3-MWC-12*7.5-C2	12V _{DC}	9~15V _{DC}	30mA	85dB	2.3 ±0.5KHz		

ORDER INFORMATION

Product NO.: **KLS3- MWC - 12*7.5 - A1**

Part Number _____ Order Code _____
With Circuit Magnetic Transducer Buzzer Series _____ Size specifications _____