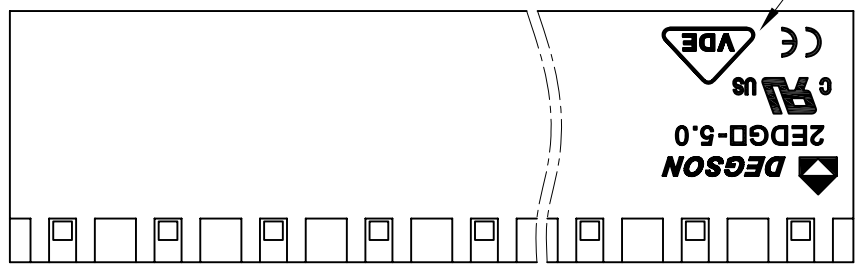
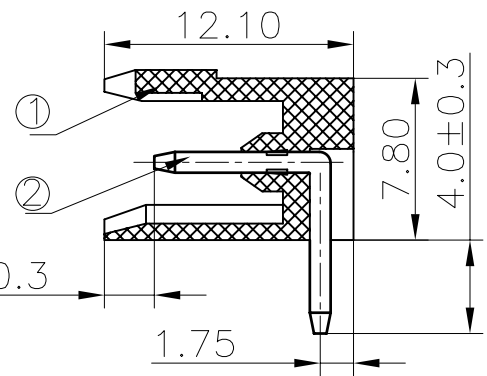
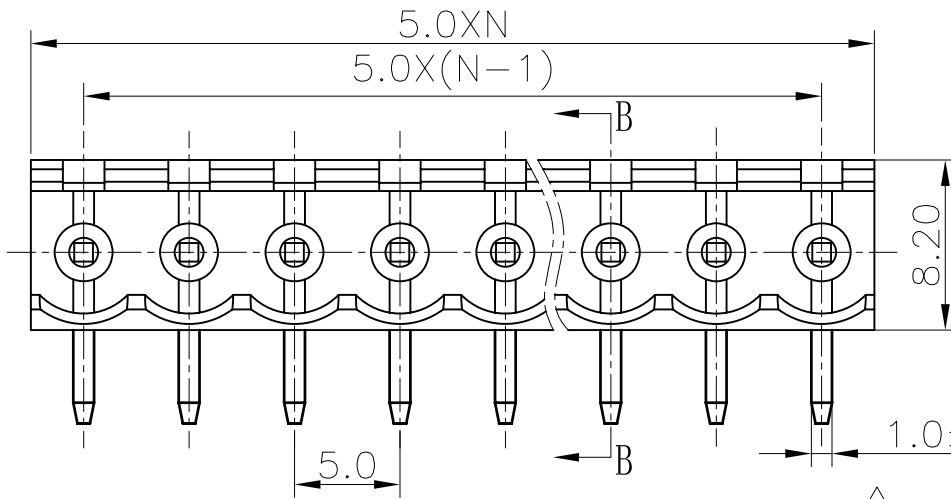


REVISION RECORD				
REV	ECO	DESCRIPTION	DRFT	DATE
△		4.5±0.1变更到4.0±0.2	DZJ	06/14/05
△		Drawing emend	csx	01/10/06
△		增加刻字	Yej	02/29/08
△		增加自动化方针	WLM	09/23/08
△		修改刻字位置	WLM	12/13/08
△	10-0329	增加标注尺寸	COCO	09/30/10



Notes:

1. Pitch:5.0mm, Poles:2-24p
2. Rated voltage/current:UL 300V/15A  
VDE 320V/20A
3. Operation temperatures:-40° C~+105° C
4. Withstanding voltage: AC2000V/1Min
5. Insulation resistance:5000MΩ/DC1000V
6. Undimensioned Tolerances:

Pitch range in mm			Nominal dimension range in mm					
to	over	over	to	over	over	over	over	
6	6	10	30	60	100	150		—
6	10	24	30	60	100	150		∩
	±0.10	±0.15	±0.25	±0.2	±0.3	±0.5	±0.7	±1.0
								0.05/10

2	2EDGR-Pin header	△1008B00120 (H)	XX	Brass	Automatic assembly
2	2EDGR(A)-Pin header	1008B00040 (H)	XX	Brass	Manual assembly
1	2EDGR-5.0-Housing	1018A0YXXA (H)	1	PA66	UL94V-0
ITEM	NAME OF PART	NO. OF PART	Q'TY	MATERIAL	NOTES

DETACHED LISTS	MM (INCH)	DFTO CSX	DATE 03/05/05	宁波高正电子有限公司 DEGSON ELECTRONICS CO., LTD		
	TOLERANCES EXCEPT AS NOTED	CHKD	DATE			
		MFO	DATE			
		APPVL	DATE			
	MM			NAME 2EDGR-5.0-XXP-1Y-00A (H)		
	.0 ±	±				
	.00 ±	±		DRAWING NO. 2EDGR-5.0-E03	SIZE A3	REV T6
	.000 ±	±		/PART NO.	09/30/10	
	ANGLES ± 1°	G.E :		DO NOT SCALE DRAWING	SHEET 1	OF 1
	THIRD ANGLE PROJECTION	FINISH :				
		SCALE : 1:1				