

Silicon NPN Power Transistors

2SD2125

DESCRIPTION

www.datasheet4u.com

- With TO-3P(H)IS package
- Built-in damper diode
- High voltage ,high speed
- Low saturation voltage

APPLICATIONS

- Horizontal output applications for color TV
- Medium resolution display

PINNING

PIN	DESCRIPTION
1	Base
2	Collector
3	Emitter

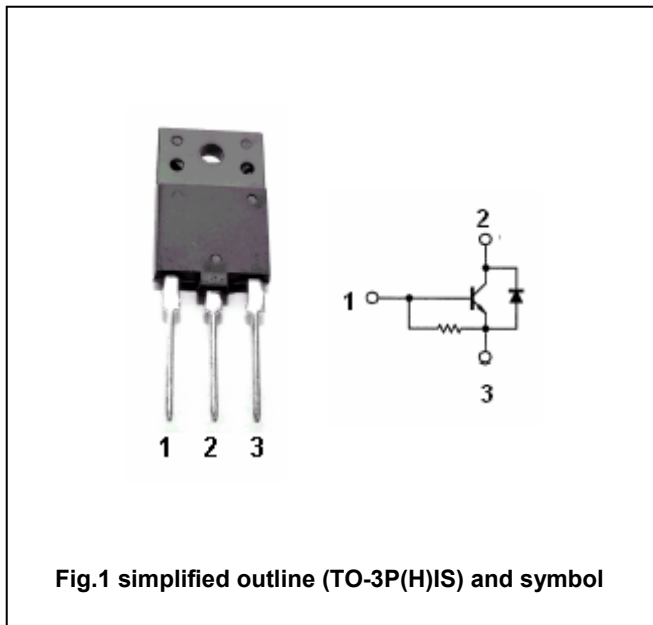


Fig.1 simplified outline (TO-3P(H)IS) and symbol

Absolute maximum ratings (Ta=25°C)

SYMBOL	PARAMETER	CONDITIONS	VALUE	UNIT
V <sub>CBO</sub>	Collector-base voltage	Open emitter	1500	V
V <sub>CEO</sub>	Collector-emitter voltage	Open base	600	
V <sub>EBO</sub>	Emitter-base voltage	Open collector	5	V
I <sub>C</sub>	Collector current		6	A
I <sub>CM</sub>	Collector current-peak		10	A
I <sub>B</sub>	Base current		3	A
P <sub>C</sub>	Collector power dissipation	T <sub>C</sub> =25°C	50	W
T <sub>j</sub>	Junction temperature		150	°C
T <sub>stg</sub>	Storage temperature		-55~150	°C

## Silicon NPN Power Transistors

## 2SD2125

## CHARACTERISTICS

T<sub>j</sub>=25°C unless otherwise specified

www.datasheet4u.com

SYMBOL	PARAMETER	CONDITIONS	MIN	TYP.	MAX	UNIT
V <sub>(BR)EBO</sub>	Emitter-base breakdown voltage	I <sub>E</sub> =200mA, I <sub>C</sub> =0	5			V
V <sub>CEsat</sub>	Collector-emitter saturation voltage	I <sub>C</sub> =5A; I <sub>B</sub> =1A		3.0	5.0	V
V <sub>BEsat</sub>	Base-emitter saturation voltage	I <sub>C</sub> =5A; I <sub>B</sub> =1A			1.5	V
I <sub>CBO</sub>	Collector cut-off current	V <sub>CB</sub> =500V; I <sub>E</sub> =0			10	μA
h <sub>FE-1</sub>	DC current gain	I <sub>C</sub> =1A; V <sub>CE</sub> =5V	8		20	
h <sub>FE-2</sub>	DC current gain	I <sub>C</sub> =5A; V <sub>CE</sub> =5V	5			
f <sub>T</sub>	Transition frequency	I <sub>C</sub> =0.1A; V <sub>CE</sub> =10V		3		MHz
C <sub>OB</sub>	Collector output capacitance	I <sub>E</sub> =0; V <sub>CB</sub> =10V; f=1MHz		165		pF
V <sub>F</sub>	Diode forward voltage	I <sub>F</sub> =6A			2.0	V
t <sub>f</sub>	Fall time	I <sub>CP</sub> =5A; I <sub>BL</sub> =1A; V <sub>CC</sub> =100V			0.5	μs

Silicon NPN Power Transistors

2SD2125

PACKAGE OUTLINE

www.datasheet4u.com

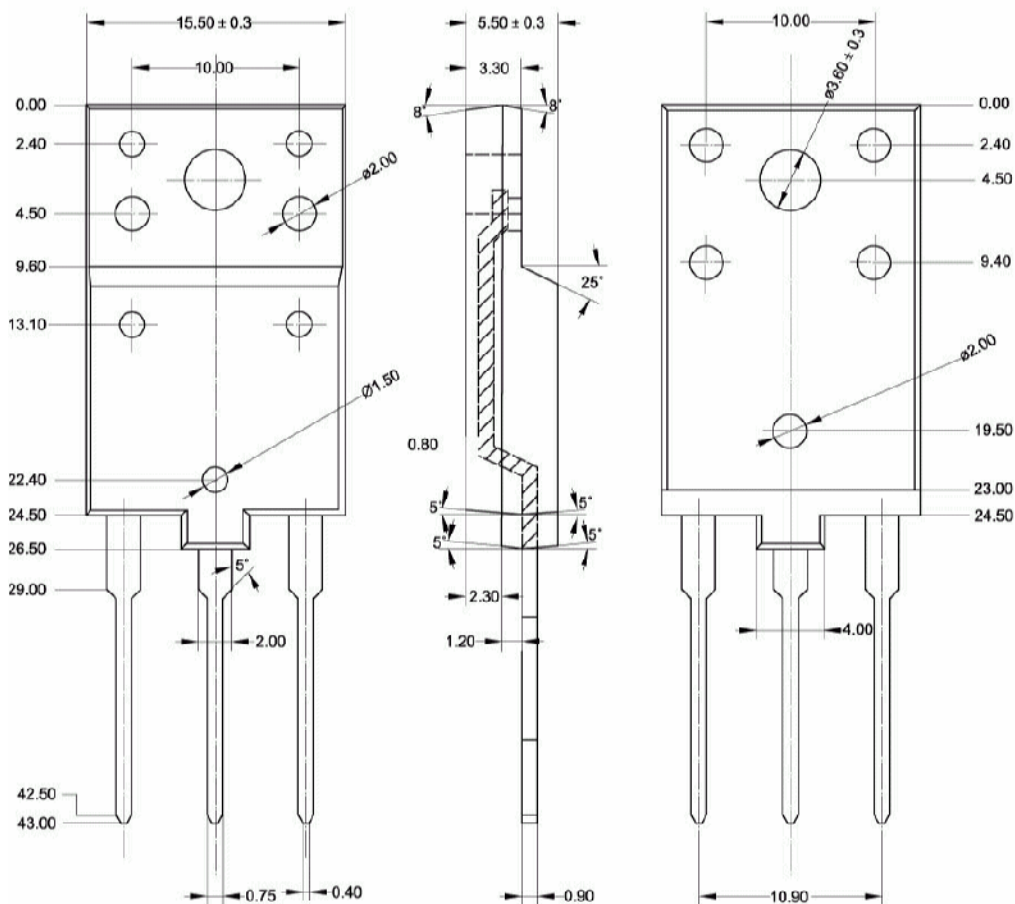


Fig.2 Outline dimensions (unindicated tolerance:  $\pm 0.15$  mm)