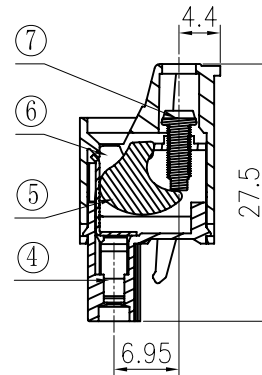
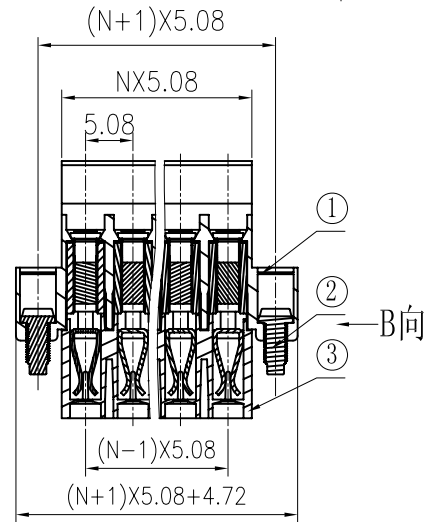
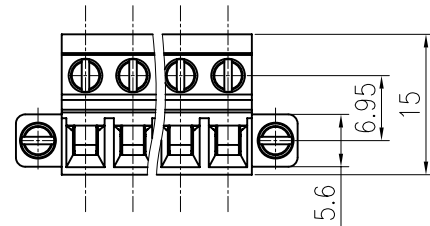
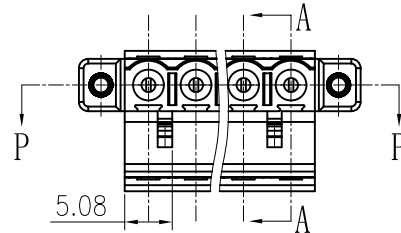
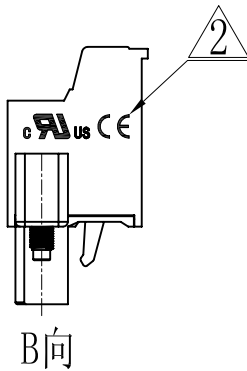
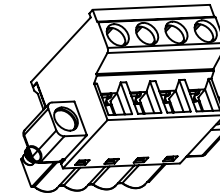


REVISION RECORD				
REV	ECO	DESCRIPTION	DRFT	DATE
△		品名、料号增加环保标示“(H)”	LJH	12/11/07
△		增加UL、CE刻字	LJH	03/20/08
△		修改线数“2-20P”为“2-24P”	LJH	04/03/08



Section A-A



Notes:

- Pitch: 5.08mm, Poles: 2-24P
- Rated voltage/current :UL 300V/10A
IEC 250V/24A
- Operation temperatures: -40° C~+105° C
- Withstanding voltage : AC2000V/1Min
- Insulation resistance: 5000MΩ /DC1000V
- Wire Range: 30~12AWG , 2.5mm²
- Max. Torque Value: M2.5 , 4.08kgf.cm
- Undimensioned Tolerances:

Pitch range in mm		Nominal dimension range in mm						
to 6	over 6 to 10	over 10 to 24	to 30	over 30 to 60	over 60 to 100	over 100 to 150	∩	
±0.10	±0.15	±0.25	±0.2	±0.3	±0.5	±0.7	±1.0	0.05/10

7	2EDGKC Screw-M2.5	S000002150 (H)	XX	Steel	Cr ³⁺ Zn
6	2EDGKC-Cage	X000001710 (H)	XX	Steel	Cr ³⁺ Zn
5	2EDGKC-Block	X000001720 (H)	XX	Steel	Cr ³⁺ Zn
4	2EDGKC-Clamp	1091B00010 (H)	XX	Phosphor bronze	SnCe plated
3	2EDGKC-5.08 Cover	1091C0YXXA (H)	1	PA66	UL94V-0
2	2EDGK Screw-M2.5	S000001370 (H)	2	Steel	Cr ³⁺ Zn

1	2EDGKCM-5.08 Housing	1092A0YXXA (H)	1	PA66	UL94V-0												
ITEM	NAME OF PART	NO. OF PART	Q'TY	MATERIAL	NOTES												
<table border="1"> <tr> <td>MM (INCH)</td> <td>DTFO Yangys</td> <td>DATE 12/28/06</td> </tr> <tr> <td>TOLERANCES EXCEPT AS NOTED</td> <td>CHKD</td> <td>DATE</td> </tr> <tr> <td></td> <td>MFO</td> <td>DATE</td> </tr> <tr> <td></td> <td>APPVL</td> <td>DATE</td> </tr> </table>		MM (INCH)	DTFO Yangys	DATE 12/28/06	TOLERANCES EXCEPT AS NOTED	CHKD	DATE		MFO	DATE		APPVL	DATE	宁波高正电子有限公司 DEGSON ELECTRONICS CO., LTD			
MM (INCH)	DTFO Yangys	DATE 12/28/06															
TOLERANCES EXCEPT AS NOTED	CHKD	DATE															
	MFO	DATE															
	APPVL	DATE															
<table border="1"> <tr> <td>MM</td> <td>±</td> </tr> <tr> <td>.0 ±</td> <td>±</td> </tr> <tr> <td>.00 ±</td> <td>±</td> </tr> <tr> <td>.000 ±</td> <td>±</td> </tr> </table>		MM	±	.0 ±	±	.00 ±	±	.000 ±	±	NAME: 2EDGKCM-5.08-XXP-1Y-00A (H)							
MM	±																
.0 ±	±																
.00 ±	±																
.000 ±	±																
ANGLES ± 1'		G.E. :															
THIRD ANGLE PROJECTION		FINISH :															
		SCALE : 1:1															
		DO NOT SCALE DRAWING		SHEET 1 OF 1													

8

7

6

5

4

3

2

1

A

B

C

D

E

F

G

H