

Silicon PNP Power Transistors

2SB857 2SB858

DESCRIPTION

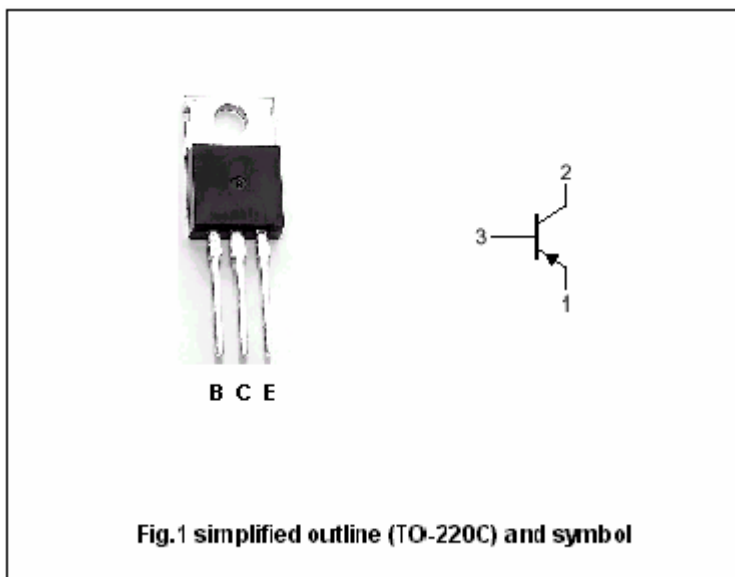
- With TO-220C package
- Complement to type 2SD1133/1134

APPLICATIONS

- Low frequency power amplifier

PINNING

PIN	DESCRIPTION
1	Emitter
2	Collector;connected to mounting base
3	Base



Absolute maximum ratings(Tc=25℃)

SYMBOL	PARAMETER	CONDITIONS	VALUE	UNIT
V _{CBO}	Collector-base voltage	Open emitter	-70	V
V _{CEO}	Collector-emitter voltage	2SB857	-50	V
		2SB858	-60	
V _{EBO}	Emitter-base voltage	Open collector	-5	V
I _C	Collector current		-4	A
I _{CP}	Collector current-peak		-8	A
P _C	Collector power dissipation	T _C =25℃	40	W
T _j	Junction temperature		150	℃
T _{stg}	Storage temperature		-45~150	℃

Silicon PNP Power Transistors

2SB857 2SB858

CHARACTERISTICS

T_j=25 °C unless otherwise specified

SYMBOL	PARAMETER	CONDITIONS	MIN	TYP.	MAX	UNIT
V _{(BR)CEO}	Collector-emitter breakdown voltage	2SB857	-50			V
		2SB858	-60			
V _{(BR)CBO}	Collector-base breakdown voltage	I _C =-50mA; R _{BE} =∞	-70			V
V _{(BR)EBO}	Emitter-base breakdown voltage	I _E =-10μA; I _C =0	-5			V
V _{CEsat}	Collector-emitter saturation voltage	I _C =-2 A; I _B =-0.2 A			-1.0	V
V _{BE}	Base-emitter voltage	I _C =-1 A; V _{CE} =-4V			-1.0	V
I _{CBO}	Collector cut-off current	V _{CB} =-50V; I _E =0			-1	μA
h _{FE-1}	DC current gain	I _C =-1 A; V _{CE} =-4V	60		320	
h _{FE-2}	DC current gain	I _C =-0.1 A; V _{CE} =-4V	35			
f _T	Transition frequency	I _C =-0.5 A; V _{CE} =-4V		15		MHz

◆ h_{FE-1} classifications

B	C	D
60-120	100-200	160-320

Silicon PNP Power Transistors

2SB857 2SB858

PACKAGE OUTLINE

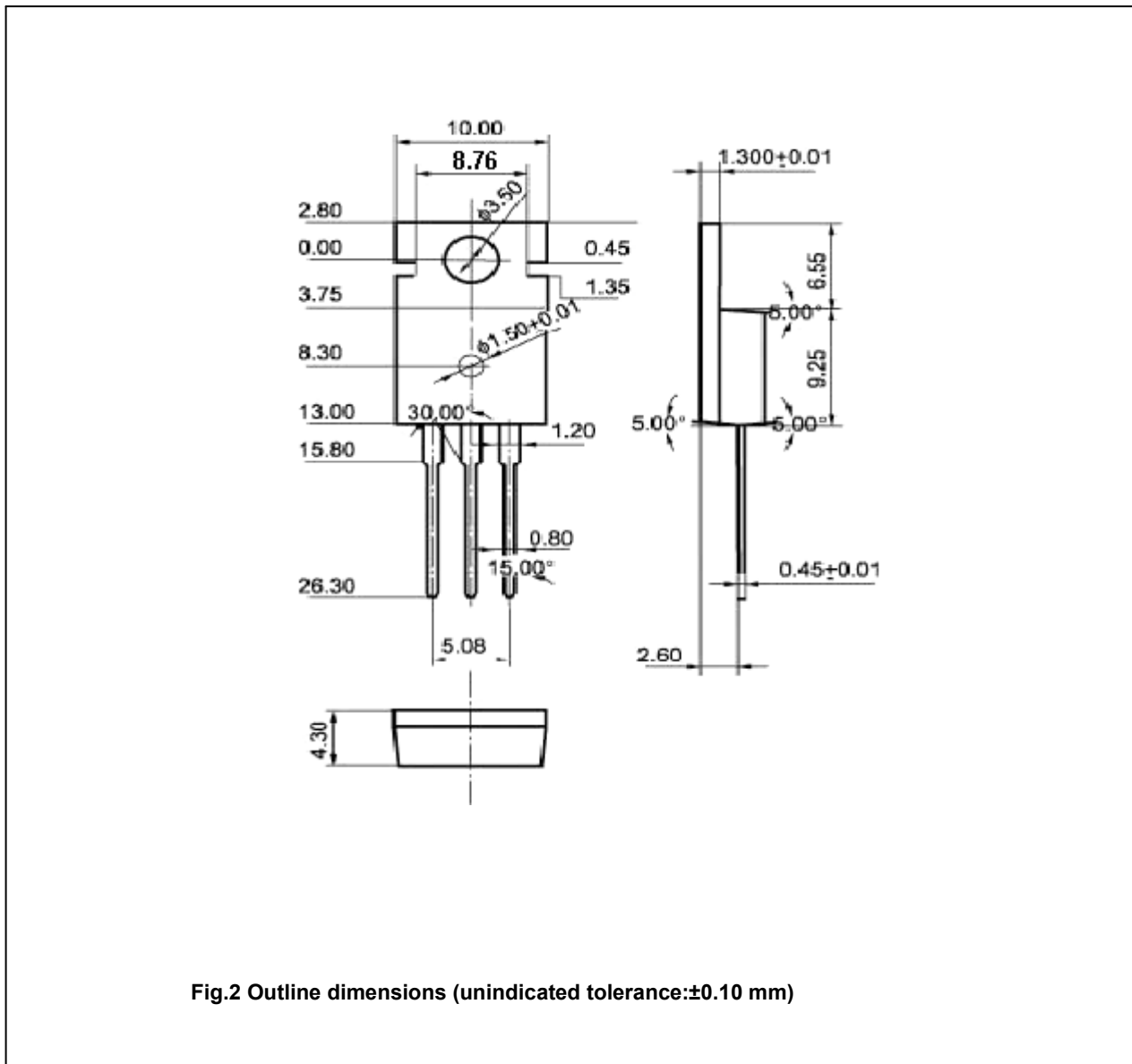


Fig.2 Outline dimensions (unindicated tolerance:±0.10 mm)

Silicon PNP Power Transistors

2SB857 2SB858

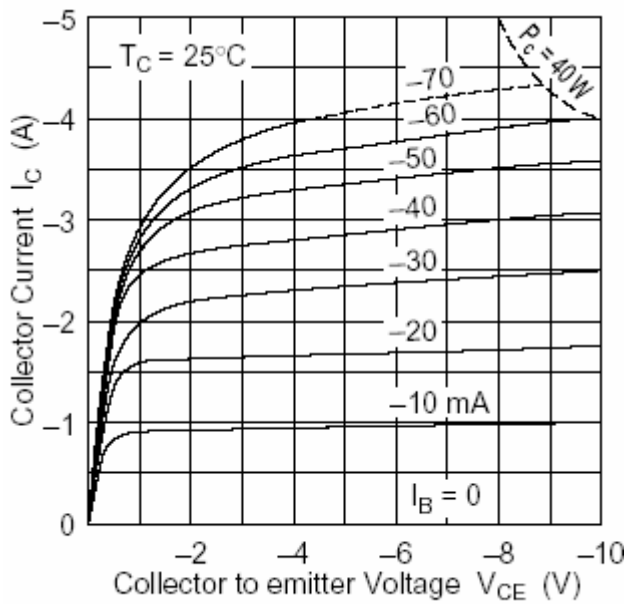


Fig.3 Static Characteristic

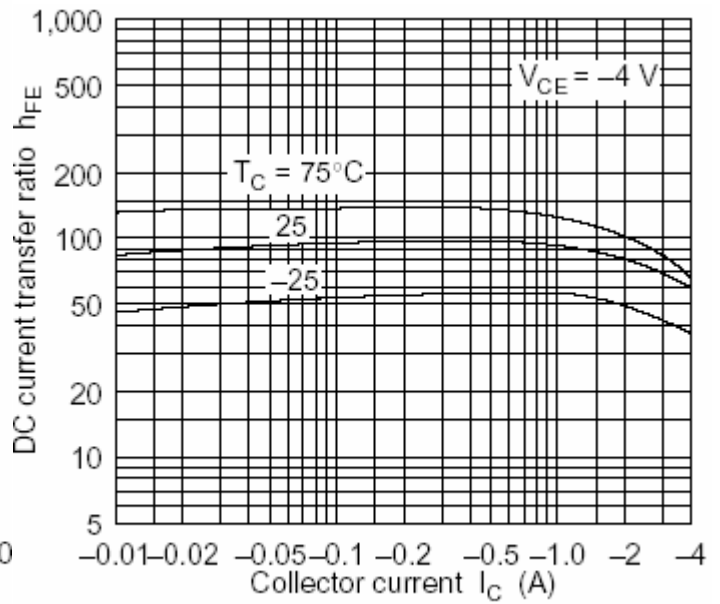


Fig.4 DC current Gain

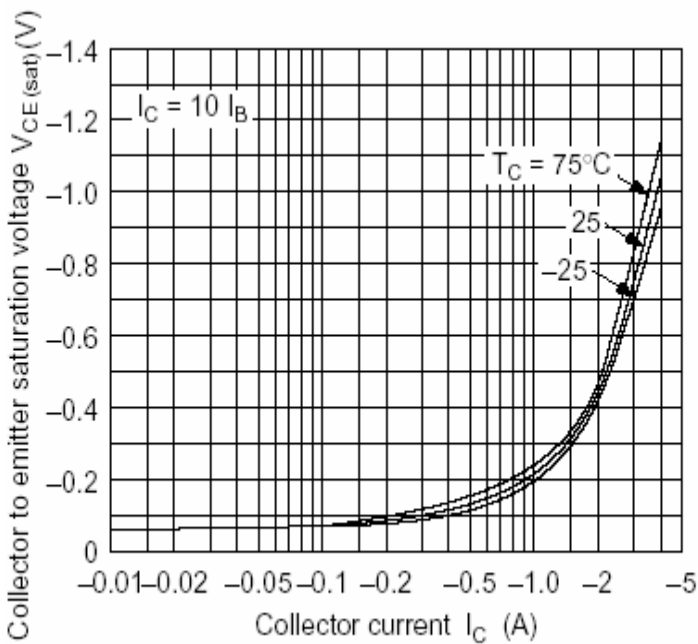


Fig.5 Collector-Emitter Saturation Voltage

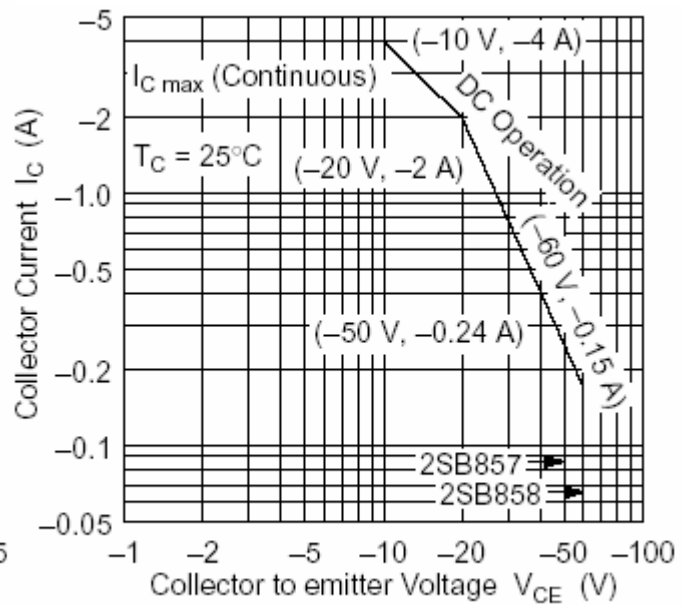


Fig.6 Safe Operating Area