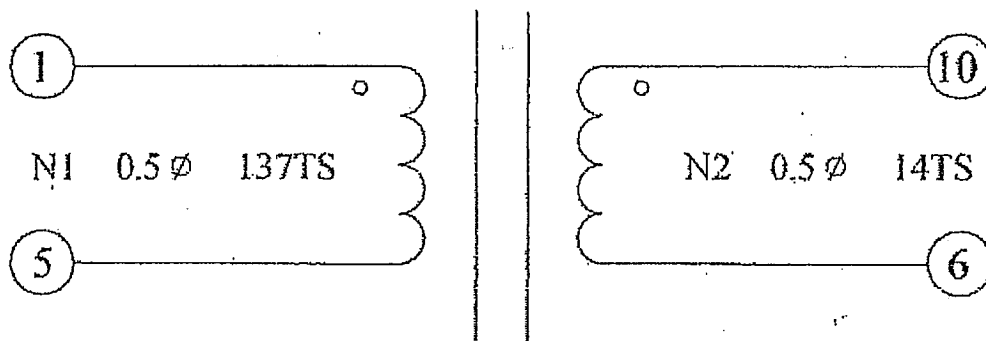
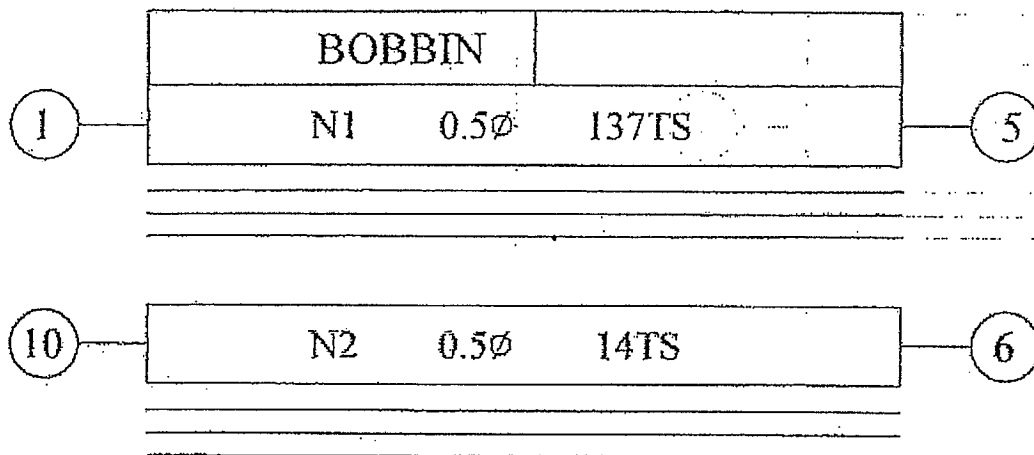


I. SCHEMATICS.



2. WINDING SEQUENCE.



CUSTOMER: RCS (烏克蘭)		APPROVED BY:
PART NO. 30WLPFCBF-25N27 (E04-02251422-00)	ISSUE: A	CHECKED BY:
	DATE: 2006-07-27	DRAWN BY: 黎榮愛
	力英電子股份有限公司 LI TONE ELECTRONICS CO., LTD. 臺北縣三峽鎮介壽路1段311巷29號 NO. 29, LANE 311, JIE SOU RU., SEC 1, SANHSIA TOWAN TAIPEI HSIEN, TAIWAN R. O. C.	
		TEL: (020) 2673-2512-6 FAX: 886-2-26710294 886-2-26736329

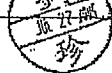
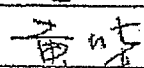

3.MATERIAL LIST.

NO/ITEM	MATERIAL	MAKER
1.CORE	EF-25 FERRITE CORE PC40. 3C90	TDK.FORROXCUBE.
2.BOBBIN	EF-25 TYPE W/10PINS. PET/UL94V-0 SW-25T	CHANG CHUN PLASTICS CO.,LTD. UL NO.E59481. SWARM BOBBIN ENTERPRISE CO.,LTD.
3.WIRE	2UEW/130°C.	PACIFIC ELECTRIC WIRE & CABLE CO.LTD. UL NO.E84081.
4.TAPE	POLYESTER TAPE #1350F-1	MINNESOTA MINING & MFG.CO.(3M). UL NO.E17385.
5.VARNISH	BC-346A.	JOHN C DOLPH CO. UL NO.E51047(M)
6.SOLDER	PURE TIN/Pb<100ppm ZHAQ,2LF30	WELLEY SOLDER CO.,LTD.

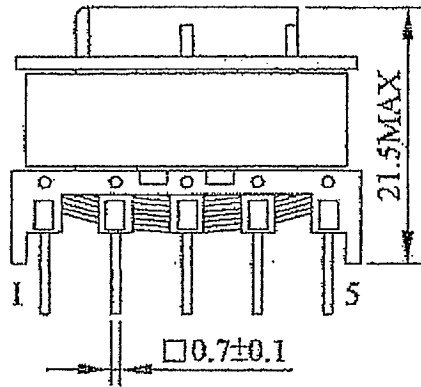
* ROHS COMPLIANT.(無鉛制程)

4.ELECTRICAL SPECIFICATIONS .

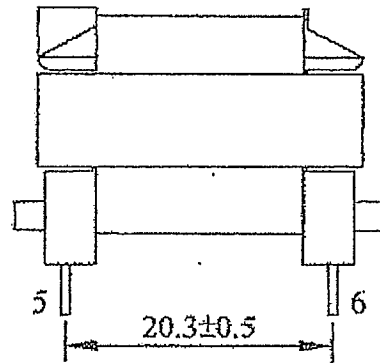
- 4-1.INDUCTANCE. P(1-5) 1.4mH ±10% @ 1KHZ 0.25V BY HP-4284A.
- 4-2.D.C. RESISTANCE. P(1-5) 0.7 OHM MAX. BY GOM-801G.
- 4-3.INSULATION RESISTANCE,WDG TO WDG AND WDG TO CORE BY 500V 100M Ω MIN.
- 4-4.HI-POT TEST. PRI TO SEC BY 3.0 KV /1SEC @5mA .BY GPI-5005T.
PRI TO CORE BY 1.5 KV /1SEC @5mA .
SEC TO CORE BY 1.5 KV /1SEC @5mA..

CUSTOMER: RCS (烏克蘭)		APPROVED BY: 	
PART NO. 30WLPFCEF-25N27 (E04-02251422-00)	ISSUE: A	CHECKED BY: 	
DATE: 2006-07-27		DRAWN BY: 黎榮愛	
		力英電子股份有限公司 LI TONE ELECTRONICS CO., LTD. 臺北縣三峽鎮介壽路1段311巷29號 NO. 29, LANE 311, JIE SOU RU., SEC 1, SANHSIA TOWAN TAIPEI HSIEN, TAIWAN R. O. C.	
		TEL: (020) 2673 - 2512 - 6 FAX: 886 - 2 - 26710294 886 - 2 - 26736329	

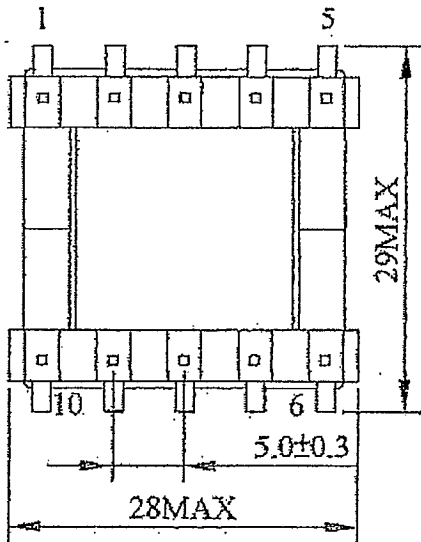
5.CONFIGURATION & DIMENSION(UNIT:mm)



(FRONT VIEW)



(SIDE VIEW)



(BOTTOM VIEW)


*捺印P(1-5)側
30WLPFCEF-25N27
LTE YYWW

CUSTOMER: RCS (烏克蘭)

APPROVED BY: 

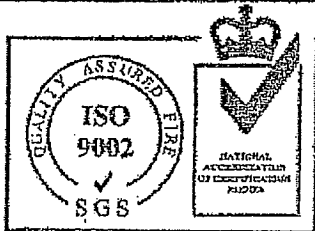
PART NO. 30WLPFCEF-25N27
(E04-02251422-00)

ISSUE: A

CHECKED BY: 

DATE: 2006-07-27

DRAWN BY: 黎榮愛



力英電子股份有限公司
LI TONE ELECTRONICS CO., LTD.
臺北縣三峽鎮介壽路1段311巷29號
NO. 29, LANE 311, JIE SOU RU, SEC 1, SANHSIA
TOWAN TAIPEI HSIEN, TAIWAN R. O. C.

TEL:
(02) 2673 - 2512 - 6

FAX:
886 - 2 - 26710294
886 - 2 - 26736329