

## PCB Modular Jack Series

KLS12-311-8P PCB Modular Jack 53 Series Flat Pin

### MATERIAL

- 1.Housing Material: Glass Filled Polyester UL94V-0 PBT, NYLON
- 2.Housing Color: Black, Gray, Ivory, White or others
- 3.Contact Material: Phosphor Bronze 0.35mm Flat Pin
- 4.PLATING: Gold plating over nickel. Gold plating thickness  
1.5u"/3u"/6u"/15u"/30u"/50u"

### ELECTRICAL

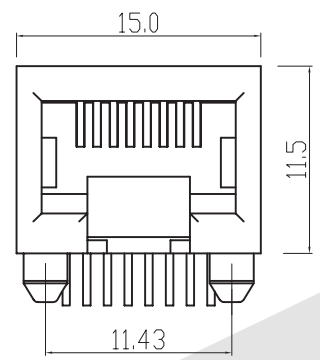
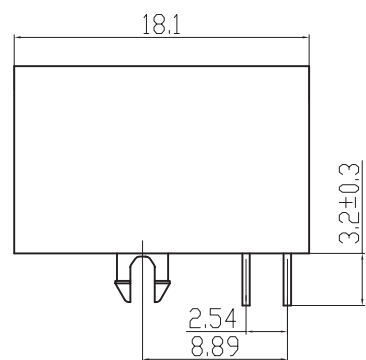
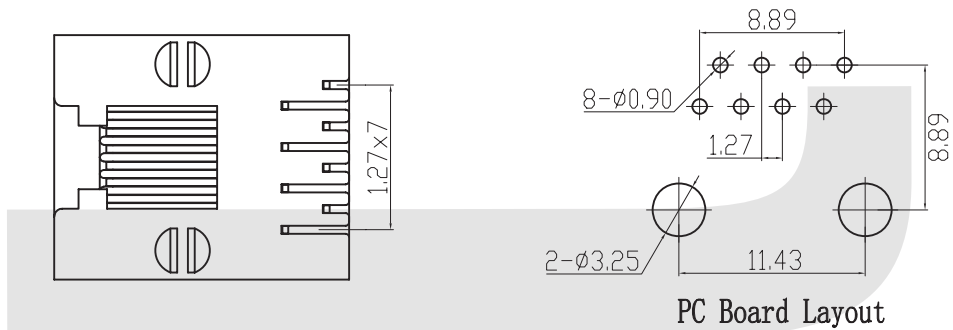
- 1.Current Rating: 1.5 Amp
- 2.Voltage Rating: 125VAC
- 3.Contact Resistance: 30 MΩ Max.
- 4.Insulation Resistance: 500 MΩ Min. @ 500VDC
- 5.Withstanding Voltage: 1000VAC RMS 50Hz 1 minute

### MECHANICAL

- 1.Durability : 750 cycles Min.
- 2.PCB Retention pre-solder : 1 LB MIN

### ENVIRONMENTAL

- 1.Storage :-40°C~+80°C
- 2.Operation:-40°C~+70°C



## ORDER INFORMATION

**KLS12-311- 8P8C-B-XX-X**

| Part Number | Point NO.  | Part Color | Gold Thickness | Plastic |
|-------------|------------|------------|----------------|---------|
|             | 8P8C Point | 1-Black    | 01-Fu"         | 1-Nylon |
|             | 8P6C Point | 2-Gray     | 02-3u"         | 2-PBT   |
|             | 8P4C Point | 3-White    | 03-6u"         | 3-ABS   |
|             |            | 4-IV       | 04-15u"        |         |
|             |            |            | 05-30u"        |         |
|             |            |            | 06-50u"        |         |