

# VIF/SIF signal processor

## BA7358S

The BA7358S is a multi-format (M, B/G, D/K, and I) VIF/SIF signal processor for television and VCR applications. It features separate-carrier PLL with full synchronous detection and employs a pulse-count detector audio system that does not require adjustment. It also includes a sound trap band-pass filters that use our independently-developed filter technology. This IC reduces external component requirements, and allows space savings.

### ● Applications

TVs and VCRs

### ● Features

- 1) Separate-carrier PLL with full synchronous detection. Excellent DG/DP, CS beat (920kHz) and cross color. In addition, by pulling down the SIF input (pin 9) it can be used as an intercarrier.
- 2) The IF AGC time constant is dual-layered to allow faster speeds.
- 3) The variable-gain amplifier has excellent linearity to ensure low distortion, and AGC variance and temperature drift have been minimized.
- 4) Built-in SOUND filter (SOUND trap and SOUND BPF). The MODE switch can be used to switch between M, B/G, I, and D/K (4.5MHz, 5.5MHz, 6.0MHz, and 6.5MHz

respectively). In particular, the SOUND BPF gives a larger attenuation ratio than conventional discrete circuits by using two-layer SIF+500kHz BPFs.

- 5) The audio detector uses a 500kHz beatdown pulse-counter detector that does not require adjustment. This eliminates the need for a detector coil and gives better linearity and S/N.
- 6) Use of pulse-counter detection and the built-in SOUND filter means fewer pins, external components and adjustment locations are required. The IC is available in a 22-pin SDIP package and will enable cost and space savings.

### ● Absolute maximum ratings (Ta=25°C)

Parameter	Symbol	Limits	Unit
Applied voltage	V <sub>CCMax</sub>	10.5*1	V
Power dissipation	P <sub>dMax</sub>	1250*2	mW
Operating temperature	T <sub>opr</sub>	-15~+70	°C
Storage temperature	T <sub>stg</sub>	-40~+150	°C
Pin 2 voltage	V <sub>P2Max</sub>	10.5	V

\*1 24Ω resistor connected between V<sub>CC</sub> and V<sub>REG</sub>.

\*2 When IC is stand alone, reduced by 10mW for each increase in Ta 1°C over 25°C.

### ● Recommended operating conditions (Ta=25°C)

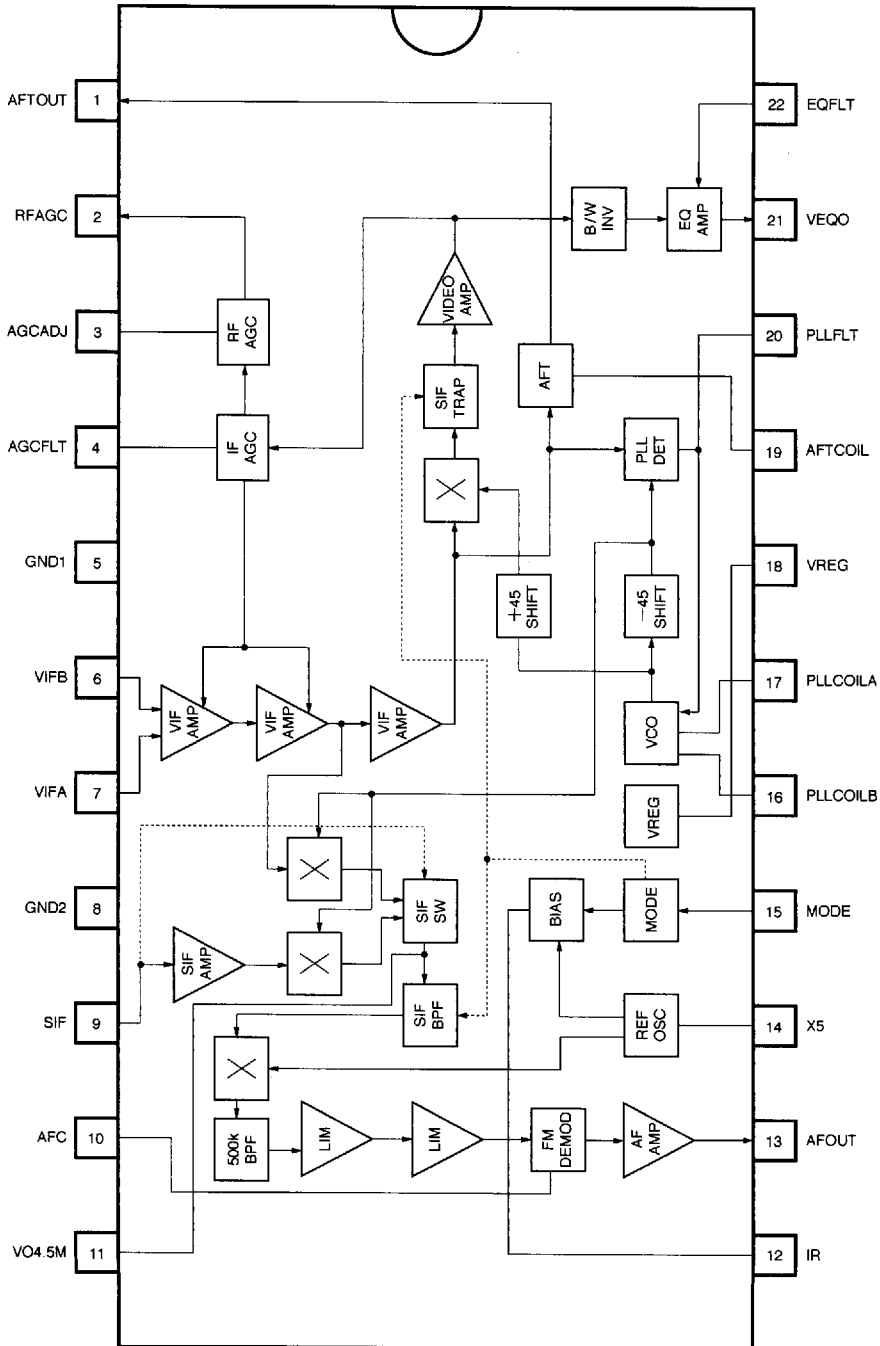
Parameter	Symbol	Limits	Unit
Power supply voltage (9V)	V <sub>CC9V</sub>	8.8~9.2*1	V
Power supply voltage (12V)	V <sub>CC12V</sub>	11.7~12.3*2	V
Guaranteed operating voltage	V <sub>CC</sub>	8.5~9.5*1	V

\*1 24Ω resistor connected between V<sub>CC</sub> and V<sub>REG</sub>.

\*2 56Ω resistor connected between V<sub>CC</sub> and V<sub>REG</sub>.

7828999 002286 554

●Block diagram



7828999 0022287 490

## ●Pin descriptions

Pin No.	Pin name	Function
1	AFTOUT	AFT OUT
2	RFAGC	RF AGC OUT
3	AGCADJ	RF AGC delay point adjustment
4	AGCFLT	IF AGC FILTER
5	GND1	VIF, BIAS GND
6	VIFB	VIF B IN
7	VIFA	VIF A IN
8	GND2	SIF, PLL GND
9	SIF	SIF IN/intercarrier switch
10	AFC	Audio detector filter and A/V mute switch
11	VO4.5M	2ndSIF OUT
12	IR	Filter bias resistor (within $\pm 1\%$ )
13	AFOUT	AUDIO OUT
14	X5	Filter system reference frequency oscillator
15	MODE	MODE SW
16	PLLCOILB	PLL oscillator coil
17	PLLCOILA	PLL oscillator coil
18	VREG	VREG
19	AFTCOIL	AFT COIL
20	PLLFLT	PLL phase detect filter
21	VEQO	Video out after EQ amplifier
22	EQFLT	EQ Filter

●Equivalent terminal circuits

Pin No.	Pin name	IN/OUT	Standard voltage	Equivalent circuit	Function
1	AFT— OUT	OUT	—		AFT output. VREG/GND push-pull output.
2	RF— AGC	OUT	—		RF-AGC output. Open-collector output. Gain can be set using an external resistor (minimum value of the maximum sink current of pin 2 is 0.7mA). Keep the pin 2 voltage at 10.5V or less.
3	AGC— ADJ	—	2.7V (when 100kΩ resistor connected)		RF AGC delay point adjustment. Connect to GND via a variable resistor (approx. 100kΩ).
4	AGC— FLT	—	5.0V		For filter time constant for VIF AGC.
5	GND1		0V		GND for VIF, AGC and AFT.

\* Vcc and Vcc2 in the equivalent circuit diagrams are connected to the VREG terminal (pin 18).

●Equivalent terminal circuits

Pin No.	Pin name	IN/OUT	Standard voltage	Equivalent circuit	Function
6 7	VIFB VIFA	IN	4.2V		Video IF input. Use with balanced input.
8	GND2	—	0V		SIF and PLL GND.
9	SIF	IN	6.6V		Audio IF input. Can set to intercarrier mode by pulling down via a 2kΩ resistor.
10	AFC	—	2.7V		Holding the audio output DC level fixed. Connect to GND via a 4.7 μF capacitor and to VREG via a 10 μF capacitor to reduce buzz. Set this pin to 0.3V or lower to apply audio/video mute.
11	VO— 4.5M	—	5.2V		2nd SIF output. Connect a trap to this pin to vary the sound filter characteristics. The internal impedance is a high (Approximately) 1kΩ, so connect a buffer to output.

●Equivalent terminal circuits

Pin No.	Pin name	IN/OUT	Standard voltage	Equivalent circuit	Function
12	IR	—	2.4V		Reference current source for adjusting the internal filter. Use connected to GND via a 24kΩ resistor. Use an accurate resistor with good temperature characteristics (e.g. ±1% metal film).
13	AFOUT	OUT	3.2V		Audio signal output. The standard output in the case of B/G is 520mVrms (when f = 50kHz). Connect to GND via a 10kΩ resistor.
14	X5	—	5.0V		For connection to a 5MHz oscillator (when M format is used). Use as a reference oscillator for automatic adjustment of the internal filter, and as the signal for the SIF signal low frequency conversion. (B/G, D/K format: 6MHz, I format: 6.5MHz).
15	MODE	IN	3.4V		Input for Trap Filter SW. 0V: M format (4.5MHz) 2.4V: D/K format (6.5MHz) 4.3V: I format (6.0MHz) VREG: B/G format (5.5MHz)

●Equivalent terminal circuits

Pin No.	Pin name	IN/OUT	Standard voltage	Equivalent circuit	Function
16 17	PLL— COILA PLL— COILB	—	3.6V		For connection of IF detector VCO oscillator coil.
18	VREG	OUT	6.6V		IF circuit power supply. Pin 18 has a built-in shunt regulator.
19	AFT— COIL	—	3.0V		For connection of AFT coil. To apply AFT defeat, connect to GND via a 1kΩ (approx.) resistor.
20	PLL— FLT	—	3.4V		Time constant circuit for the PLL filter.

●Equivalent terminal circuits

Pin No.	Pin name	IN/OUT	Standard voltage	Equivalent circuit	Function
21	VEQO	OUT	2.0V (SYNC)		<p>VIDEO output. Output is via the sound trap, B/W noise inverter, and EQ AMP. Connect to GND via a 4.7k <math>\Omega</math> resistor.</p>
22	EQFLT	—	5.2V		<p>EQ Filter. Connect to GND via an LCR series resonant circuit. R should be <math>\geq 1k\Omega</math>.</p>

Television components — VIF/SIF signal processors



●Electrical characteristics (Unless otherwise specified Ta=25°C, Vcc=9V, and P=38.9MHz)

Parameter	Symbol	Min.	Typ.	Max.	Unit	Conditions	
(VREG)							
Circuit current	I <sub>CC</sub>	—	96	110	mA		
Regulated voltage	V <sub>REG</sub>	6.2	6.6	7.0	V		
(VIF)							
Input sensitivity	V <sub>VMin.</sub>	34	40	46	dB $\mu$	V <sub>VO</sub> = -3dB point	
Maximum allowable input level	V <sub>VMax.</sub>	100	110	—	dB $\mu$	V <sub>VO</sub> = +1dB point	
AGC range	GR	62	70	—	dB	V <sub>VO</sub> = $\pm$ 3dB range	
Quiescent video output voltage	V <sub>P21</sub>	3.9	4.3	4.7	V	No signal, V <sub>P4</sub> = V <sub>REG</sub>	
Video detector output level	V <sub>VO</sub>	1.7	2.0	2.4	V <sub>P-P</sub>	V <sub>i</sub> = 80dB $\mu$ , AM87.5%MOD	
Synchronous signal tip voltage	V <sub>P21SY</sub>	1.7	2.0	2.3	V	100% white video signal	
Video output DG	DG	—	2	8	%	V <sub>i</sub> = 80dB $\mu$ , AM87.5%MOD	
Video output DP	DP	—	3	8	deg	3STEP video signal	
Sound trap attenuation	M, B/G	G <sub>VOS</sub>	33	45	—	dB	20LOG (V <sub>OS</sub> /V <sub>O0.2M</sub> )
	D/K, I		28	45	—		
CS beat level	I <sub>B20</sub>	37	44	—	dB	P=0, P/C=4, P/S=14dB	
Video output S/N	S/N <sub>V</sub>	47	53	—	dB	V <sub>i</sub> = 90dB $\mu$ , 100% white	
White noise threshold voltage	V <sub>WTH</sub>	4.7	5.0	5.3	V	CW = 70dB $\mu$ frequency variation and pin 21 voltage variation	
White noise clamp voltage	V <sub>WCL</sub>	2.9	3.0	3.5	V		
Black noise threshold voltage	V <sub>BTH</sub>	1.1	1.4	1.7	V		
Black noise clamp voltage	V <sub>BCL</sub>	2.6	2.9	3.2	V		
RFAGC maximum sink current	I <sub>P2SI</sub>	0.7	1.2	—	mA	CW=100dB $\mu$ , AGCADJ=100K	
(AFT)							
Maximum AFT voltage	V <sub>PIMax.</sub>	6.0	6.4	—	V	CW=38.4MHz	
Minimum AFT voltage	V <sub>PIMin.</sub>	—	0.3	0.8	V	CW=39.4MHz	
AFT detection sensitivity	S <sub>I</sub>	35	65	—	mV/kHz	CW frequency variation	
AFT defeat starting voltage	V <sub>AFTDET</sub>	—	—	1.2	V	CW=38.4MHz	
AFT defeat voltage	V <sub>IDEF</sub>	2.9	3.3	3.6	V	CW=38.4MHz	

●Electrical characteristics (Unless otherwise specified Ta=25°C, Vcc=9V, and P=38.9MHz)

Parameter	Symbol	Min.	Typ.	Max.	Unit	Conditions
(PLL)						
PLL capture range 1	f <sub>CU</sub>	0.6	+1.2	—	MHz	CW = 80dB $\mu$ frequency variation
PLL capture range 2	f <sub>CL</sub>	—	-1.2	-0.6	MHz	
PLL lock range 1	f <sub>LU</sub>	0.6	+2.0	—	MHz	
PLL lock range 2	f <sub>LL</sub>	—	-2.0	-0.6	MHz	
VCO control sensitivity	$\beta$	0.5	1.3	—	kHz/mV	
(SIF) P=38.9MHz/80dB $\mu$ S=33.4MHz/70dB $\mu$ -12dB (SAW Filter Loss)						
Input sensitivity	V <sub>SMin</sub>	—	24	33	dB $\mu$	f <sub>m</sub> =400Hz, $\Delta$ f=50kHz
SIF maximum allowable input level	V <sub>SMax</sub>	80	90	—	dB $\mu$	5% distortion
FM detector output level	V <sub>SO</sub>	350	520	700	mV <sub>rms</sub>	f <sub>m</sub> =400Hz, $\Delta$ f=50kHz
Audio output S/N	SN <sub>AF</sub>	52	64	—	dB	f <sub>m</sub> =400Hz, $\Delta$ f=50kHz
Audio output distortion	THD	—	0.3	1.5	%	f <sub>m</sub> =400Hz, $\Delta$ f=50kHz
AMR	AMR	40	56	—	dB	$\Delta$ f=25kHz, AM30%
MUTE video output voltage	V <sub>VMUTE</sub>	—	0.7	1.2	V	V <sub>PI0</sub> =GND
MUTE audio output voltage	V <sub>SMUTE</sub>	2.3	2.9	3.5	V	V <sub>PI0</sub> =GND
MUTE start voltage	V <sub>VIOMUTE</sub>	—	—	0.3	V	
Intermode switch voltage	V <sub>9INT</sub>	0.1	—	1.0	V	
VO4.5M output level	V <sub>VO4.5M</sub>	10	20	40	mV <sub>PP</sub>	Intermode P = 80dB $\mu$ , P/S = 20dB (use FET probe)
(MODE)						
MODE voltage range (M)	V <sub>15M</sub>	—	0	0.5	V	REF—OSC=5MHZ
MODE voltage range (B/G)	V <sub>15BG</sub>	6.0	V <sub>REG</sub>	—	V	REF—OSC=6MHZ
MODE voltage range (D/K)	V <sub>15DK</sub>	2.20	2.40	2.60	V	REF—OSC=6MHZ
MODE voltage range (I)	V <sub>15I</sub>	4.10	4.30	4.50	V	REF—OSC=6.5MHZ

● Measurement circuit

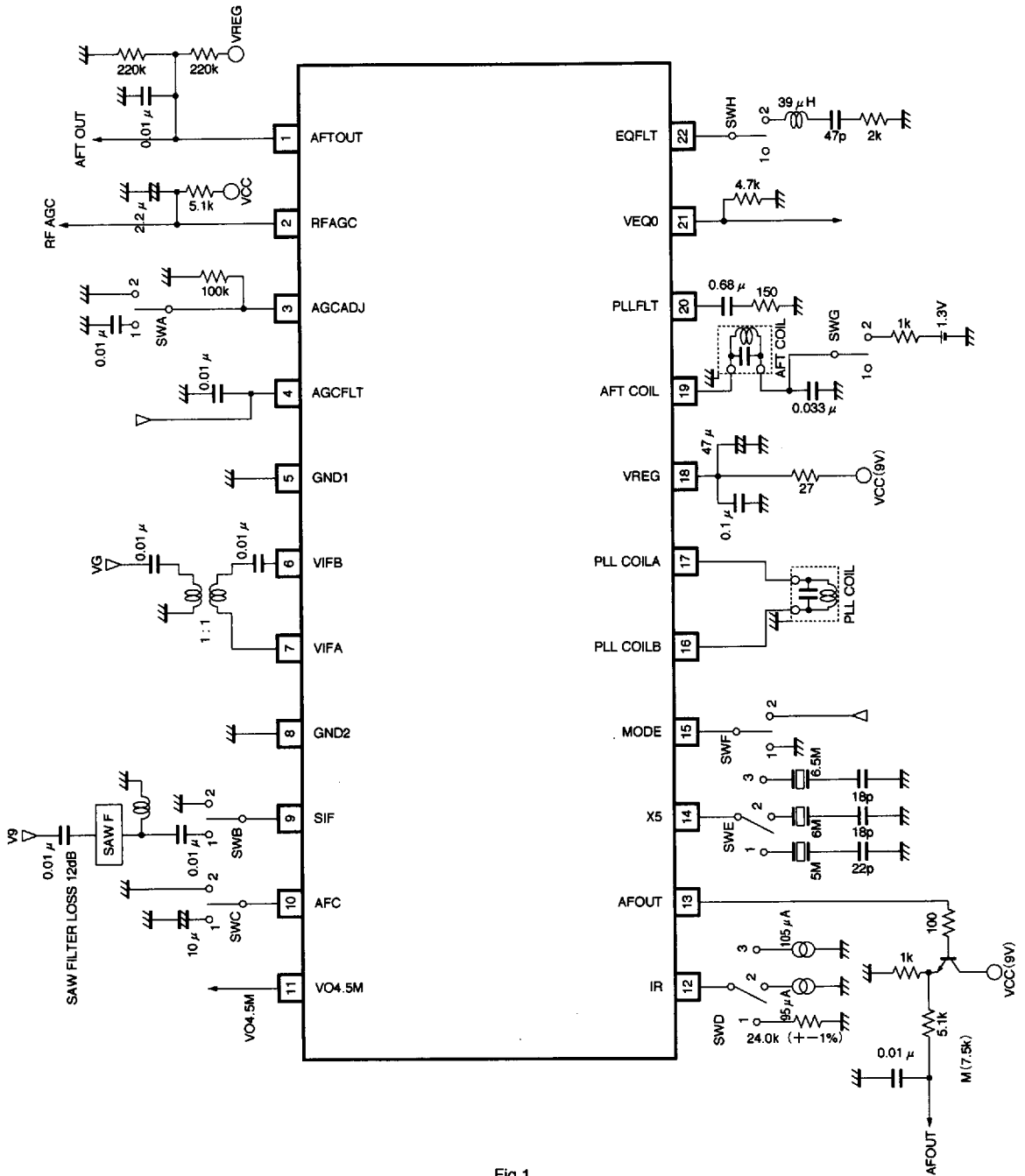
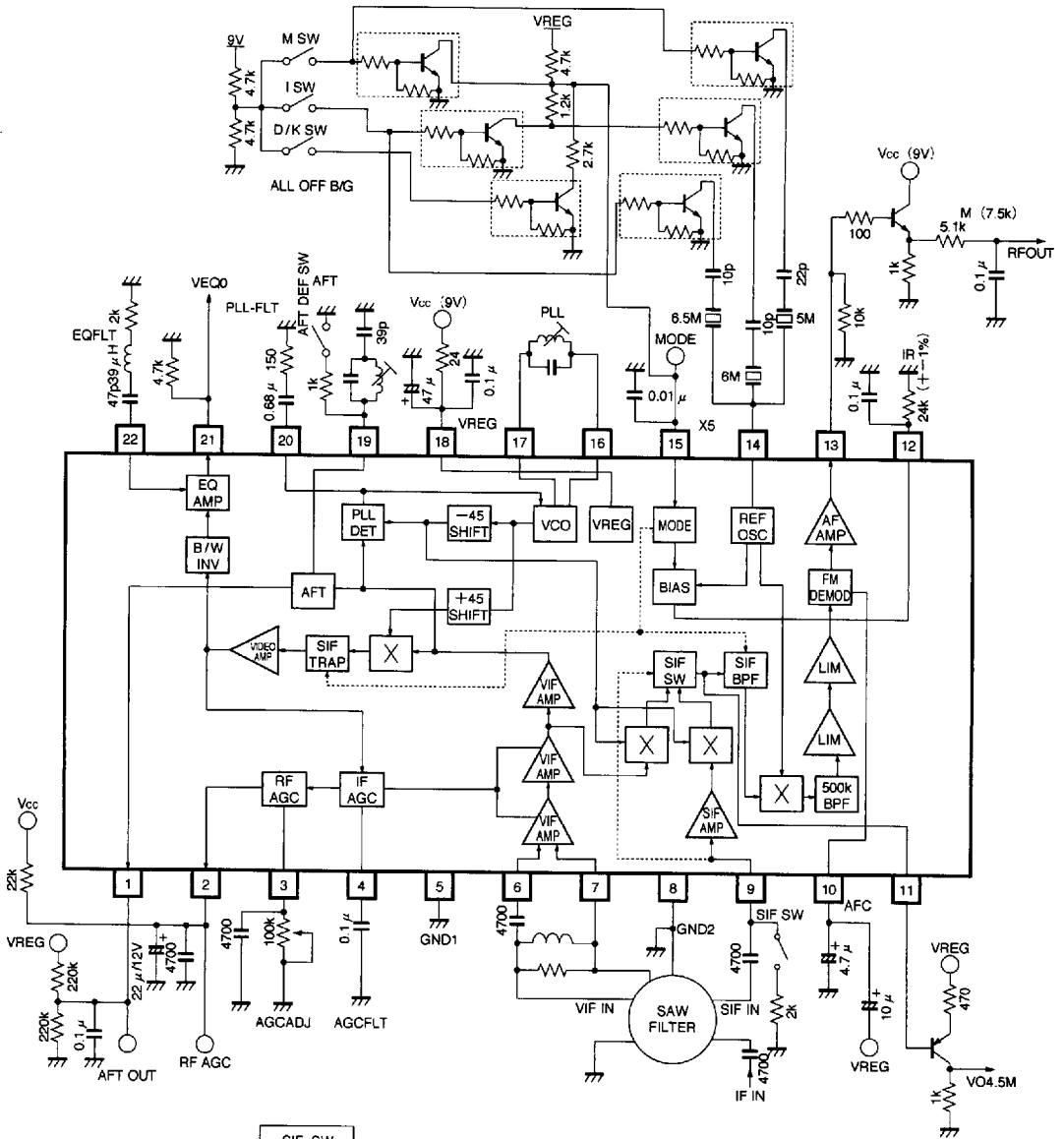


Fig.1

7828999 0022296 4T3

●Application example



SPLIT=FREE / INTER=GND  
SIF IN [9pin] DC

	M	B/G	D/K	I
V/S C SPACING [MHz]	4.5	5.5	6.5	6.0
MODE [V]	0	6.6	2.4	4.3
OSC [MHz]	5.0	6.0	6.0	6.5

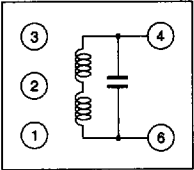
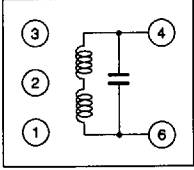
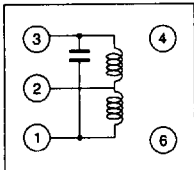
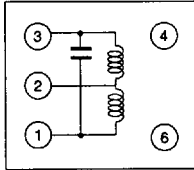
AT VREG=6.6V

Fig.2

7828999 002297 33T



●Coil specifications

	f=38.0MHz	f=38.9MHz
VCO COIL	<p>0236-JPS-134 Type name: S-7GC</p>  <p>4-6 8T</p> <p>0.10 <math>\phi</math></p> <p>Tuning capacitance: 22pF RH</p> <p>SUMIDA</p>	<p>0236-JPS-121 Type name: S-7GC</p>  <p>4-6 8T</p> <p>0.12 <math>\phi</math></p> <p>Tuning capacitance: 22pF RH</p> <p>SUMIDA</p>
AFT COIL	<p>0236-JPS-137 Type name: S-7GC</p>  <p>1-2 2-3 3T 3T</p> <p>0.14 <math>\phi</math></p> <p>Tuning capacitance: 56pF RH</p> <p>SUMIDA</p>	<p>0236-JPS-136 Type name: S-7GC</p>  <p>1-2 2-3 3T 3T</p> <p>0.10 <math>\phi</math></p> <p>Tuning capacitance: 56pF RH</p> <p>SUMIDA</p>

Note: Connect a 16.7pF capacitor between 4 and 6 when measuring in the case of the VCO COIL.  
Connect a 0pF capacitor between 1 and 3 when measuring in the case of the AFT COIL.

● Operation notes

- (1) Simultaneous audio and video output muting function  
It is possible to simultaneously mute the audio and video output by pulling the AFC filter terminal down.
- (2) AFT defeat function  
AFT defeat can be applied by pulling the AFT coil terminal down via a 1kΩ resistor.
- (3) Recommended SIF input range for intercarrier mode  
P/S = 20 to 30dB (including SAW-FILTER).
- (4) IF input range for RF-AGC switching  
60 to 95dB μ.
- (5) Intercarrier mode switching  
Intercarrier mode can be set by pulling the SIF terminal down via a 2kΩ resistor.
- (6) IR terminal external resistor  
This resistor sets the filter system reference current, so use an accurate component that has good temperature characteristics.

● Electrical characteristic curves

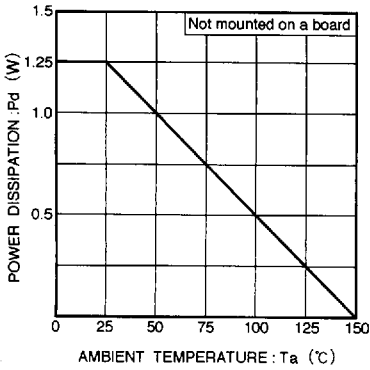


Fig. 3 Power dissipation

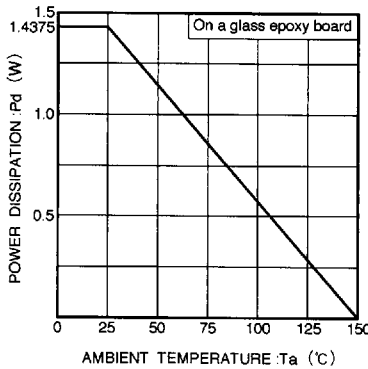
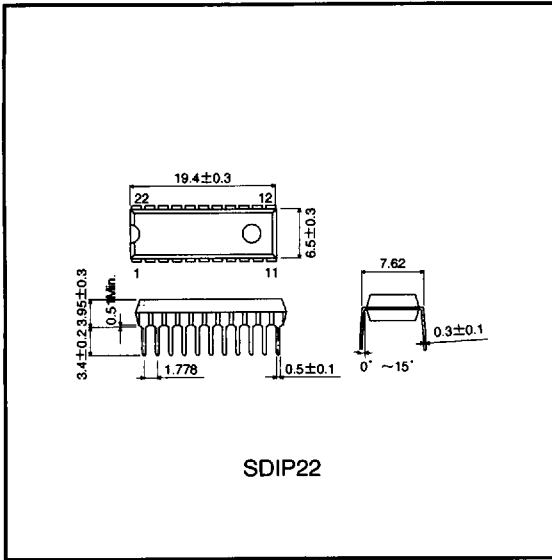


Fig. 4 Power dissipation

●External dimensions (Units: mm)



This datasheet has been downloaded from:

[www.DatasheetCatalog.com](http://www.DatasheetCatalog.com)

Datasheets for electronic components.