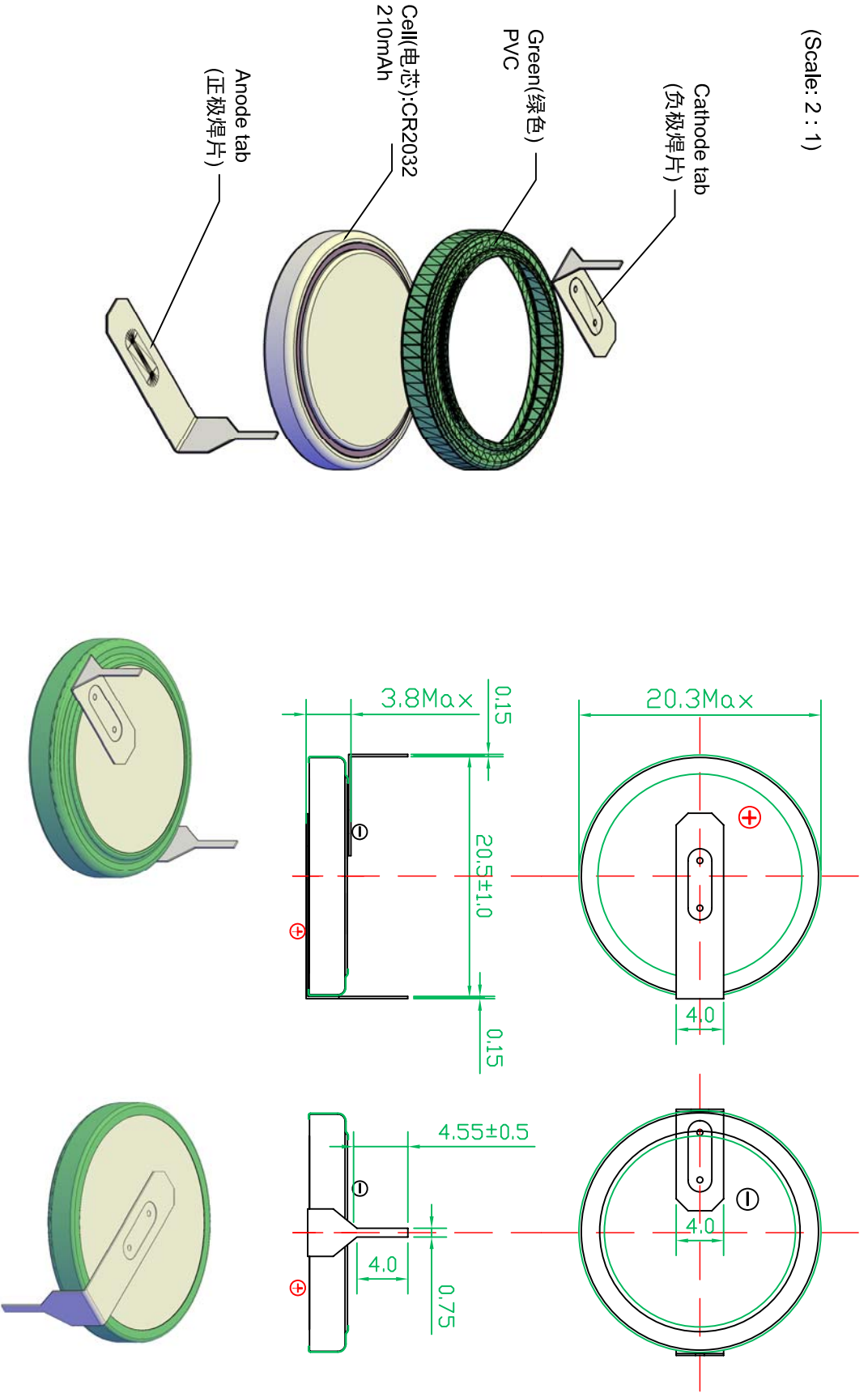




(Scale: 2 : 1)



Remark(备注):
1. Cell(电芯): Button, Green PVC, with date code(扣式, 包绿色 PVC, 表面喷码)
2. Cathode/Anode tab: Stainless steel plated with nickel
正/负极焊片材质: 不锈钢镀镍
3. RoHS Compliant
严格按照ROHS要求生产

		Drawn:	Wangyi	Revise No.:	E4-2009
EEMB BATTERY		Checked 1:	Sammy	Projection:	
Title	CR2032-VBY2	Checked 2:		Page:	1/1
File NO.	*A10155	Approved:		Scale:	1.5: 1
		Draw Date:	2014/09/12	Unit:	mm