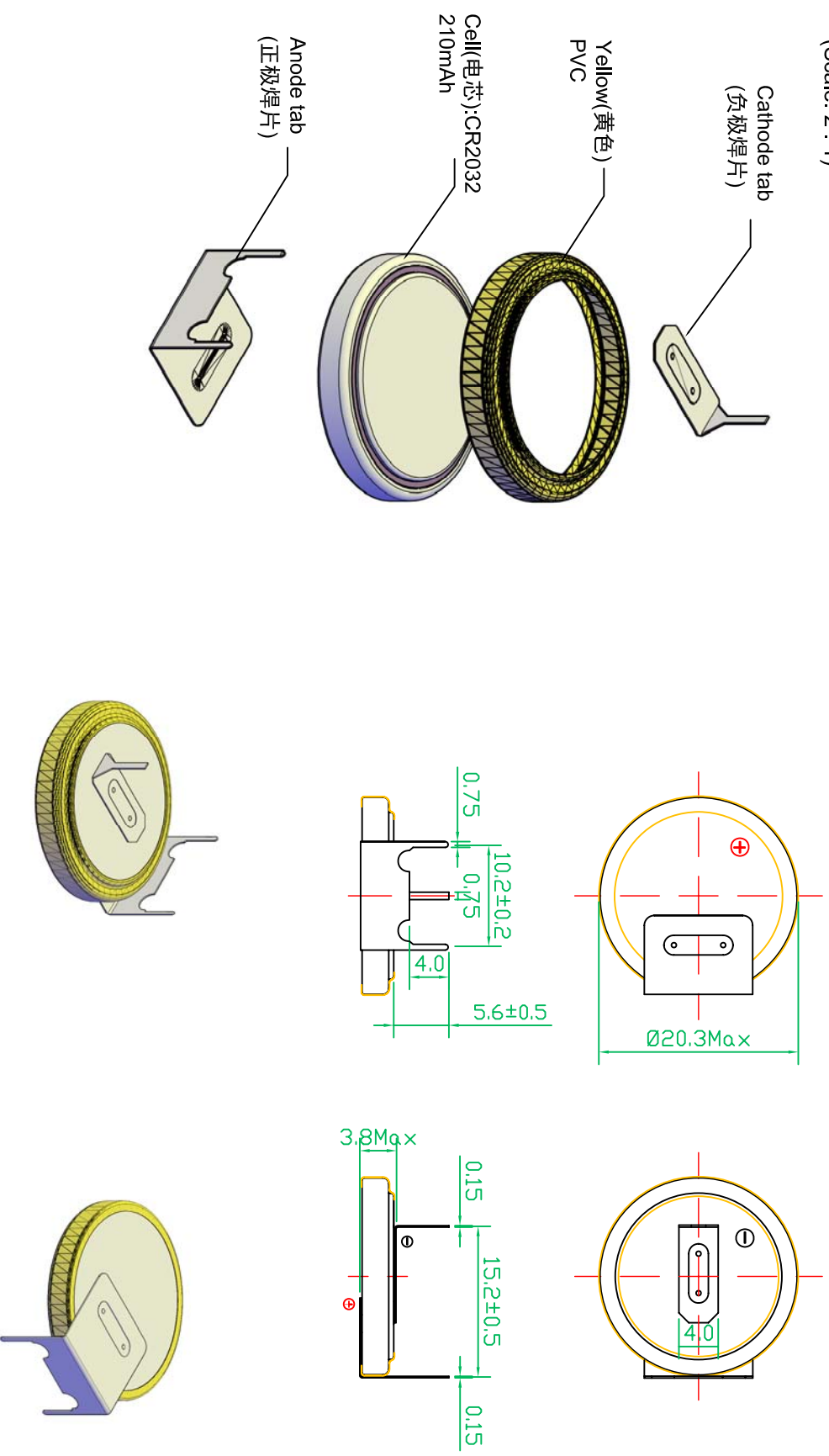

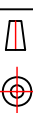


(Scale: 2 : 1)



4	ROHS Compliant / 严格按照ROHS要求生产			Drawn:	Hexin	Revise No.:	E4+2009	
3	Cathode tab / 负极焊片			Stainless steel plated with nickel / 不锈钢镀镍	Checked 1:	Ally	Projection:	
2	Anode tab / 正极焊片			Stainless steel plated with nickel / 不锈钢镀镍	Checked 2:		Page:	1/1
1	Cell / 电芯			Button, Yellow yellow PVC, with date code 扣式, 包黄色PVC, 电芯表面喷码	Approved:		Scale:	1.5: 1
NO.	Parts	Description	File NO.	A110694	Draw Date:	2014/12/19	Unit:	mm

1 2 3 4 5 6