



铝切割面板,高亮面边框



加粗镀银插脚



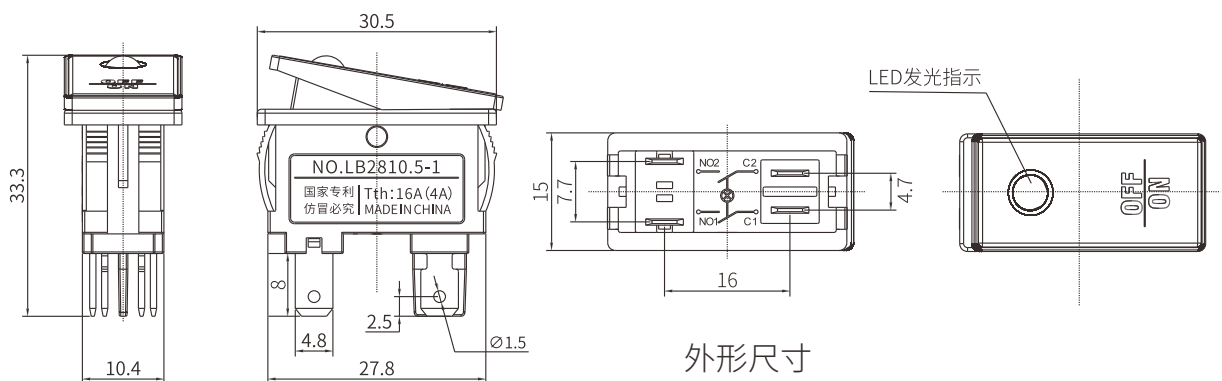
LED指示灯

型号说明/选型，写法举例：LBCX2810.5-Y202/G9-24V(L)

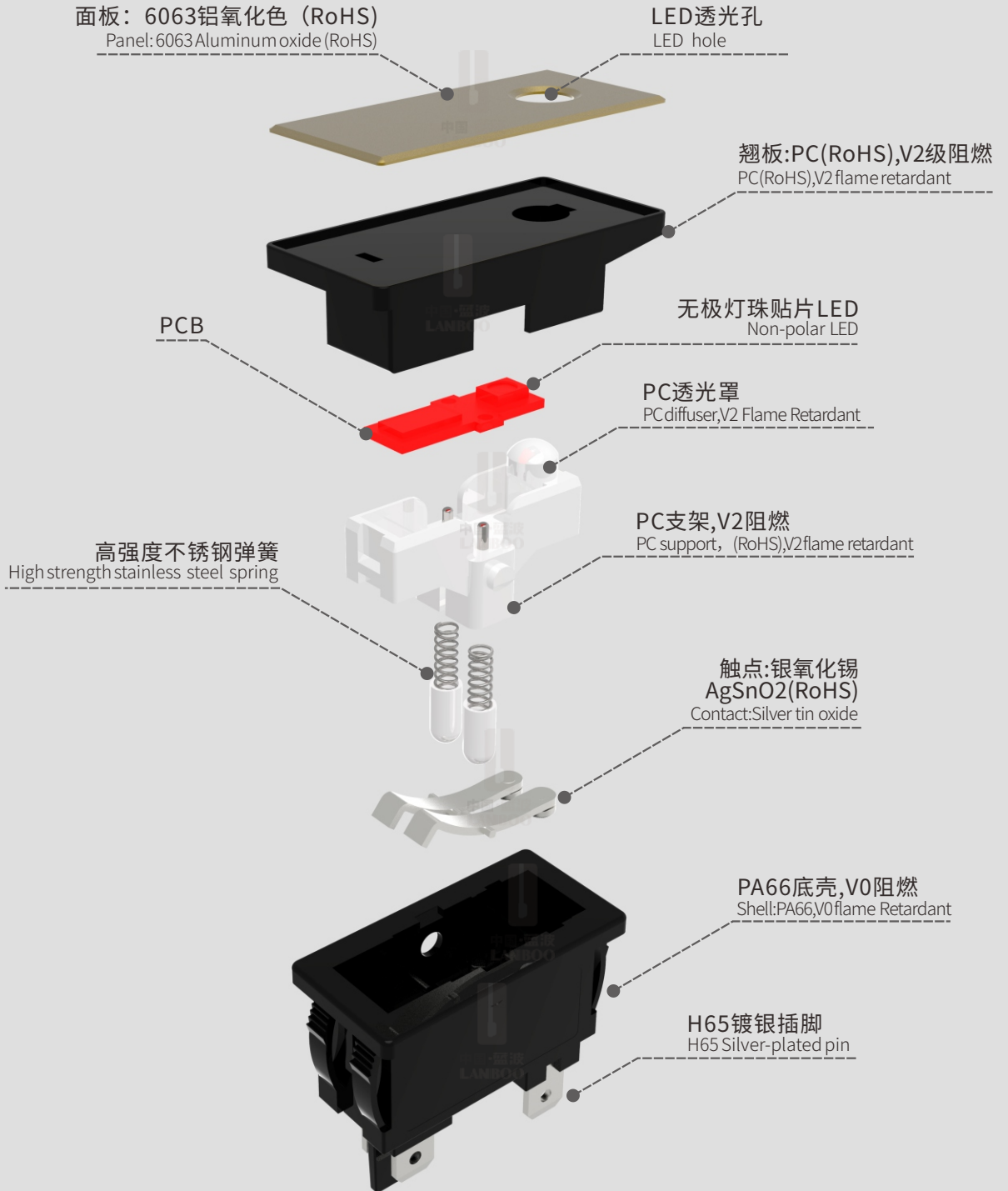
对应编号	LB	●●	●●	—	●	●●	●	/	●	●●	L
	1	2	3	4	5	6	7		8	9	
1	LB	LANBOO 蓝波代码									
2	船型开关代码	CX									
3	安装孔径	2810.5—28x10.5mm,代替KCD2/3船型开关									
4	面板颜色	J—金色、Y—银色、H—黑色									
5	开关组合	20—2NO常开触点，快慢动双触点									
6	档位	2—2档									
7	发光颜色	R—红色、G—绿色，定制：B—蓝色、Y—黄色、W—白色									
8	输入电压	9-24V、220V,定制：3-8V、25-48V、110V,AC/DC 通用									
9	(L)	内部代码									

性能参数

开孔直径	对应孔径+0.3mm,例如: LBCX2810.5为28.3x10.8mm	
外壳	PA66(RoHS),V0级阻燃	
按键	6063铝氧化 (RoHS)	
翘板	PC(RoHS),V2级阻燃	
透光材料	PC(RoHS),V2级阻燃	
触点	银氧化锡AgSnO2(RoHS)	
引脚	H65镀银 (RoHS)	
安装面板厚度	≤3.5mm	
按压力	4.5±0.5N	
接线形式	引脚式	
耐焊性	≤380°C(25~50W 电烙铁) ≤2 秒	
插片可焊性试验	各引脚分别焊接 1mm ² 电线, 80N正向拉力后, 无脱落	
引脚反向推力	≥80N 无位移, 1min	
头部防脱拉力	≥150N,1min	
工作环境温度	-40°C~+80°C,非真空状态、不结冰情况下	
工作环境湿度	45~90%RH	
贮存环境温度	包装完好情况下, -40°C~+55°C	
贮存环境湿度	包装完好情况下, 45~90%RH	
约定发热电流	I _{th} :20A,250VAC	
电阻性负载	AC-15:110V/250V:16A	DC-13:12V/24V/36V:16A
电感性负载	AC-15:110V/220V:4A	DC-13:110V:4A
接触电阻	≤50mΩ	
绝缘电阻	≥1000MΩ	
抗电强度(工频耐压)	3000VAC,50HZ,1min	
触点最小适用负载	3V AC/DC,5mA(参考值, 取决于环境与负载情况)	
耐振性	XYZ 三向, 60HZ,振幅 2mm	
产品防跌落	头部竖直跌落 1 米, 3 次, 能正常工作	
包装跌落	600mm 高度连续跌落 4 次, 产品无损坏	
温升	按 GB/T14048.5 标准中 8.3.3.3 条款	
盐雾试验	72h,3 个周期, (参考 GB/T 2423.18-2012)	
低温试验	-40°C,96h,接触电阻≤200mΩ、按压力变化值≤30%,LED 正常	
高温试验	80°C,96h,接触电阻≤200mΩ、按压力变化值≤30%,LED 正常	
高低温冲击试验 (含 LED 灯加速老化试验)	-40~+85°C,85%RH,40min/循环, 50 个循环, 接触电阻≤200mΩ、按压力变化值≤30%,LED 正常	
电气寿命	阻性负载 (参考GB/T14048.5)AC220V/15A、DC24V/16A:2万次; AC220V/8A、DC24V/8A:4万次; AC220V/3A、DC24V/3A:10万次	
机械寿命	20万次 (参考GB/T14048.5)	
ESD静电	人体模式: 2KV,可定制 8KV	
LED额定电流	≤24V,≤20mA;>24V,≤10mA	
LED灯珠类型	贴片无极双芯片 LED	
LED降压方式	内置降压电阻	
LED寿命	≥50000h(参考值)	
产品认证	CCC CE RoHS(定制) REACH(定制)	
专利号	ZL201930318531.9	
质保	66 个月	



外形尺寸



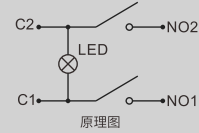


2810.5 (KCD3)

Metal Rocker Switch

Max **16A/250VAC**

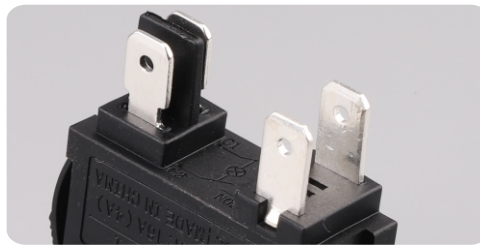
Insulation withstand voltage: >3000VAC



LED Color



Aluminum cutting process



Silver plated pins



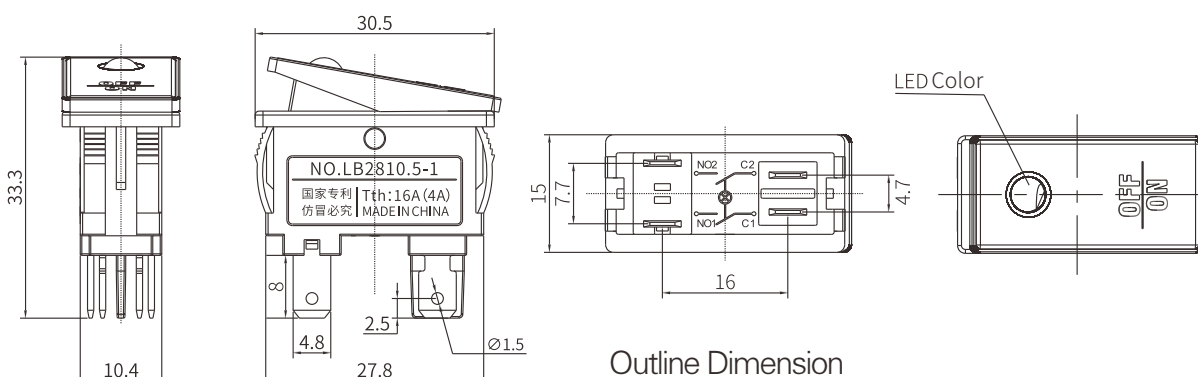
LED Color

Model Description/Selection, Example: LBCX2810.5-Y202/G9-24V(L)

The Corresponding Number	LB	●●	●●	—	●	●●	●	/	●	●●	L
	1	2	3		4	5	6		7	8	9
1	LB	LANBOO									
2	Ship Ype Switch Code	CX									
3	Install The Aperture	2810.5 -- 28x10.5mm, Replacing the KCD2/3 ship type switch									
4	Panel Color	J—Golden、Y—Silver、H—Black									
5	Switch Combination	20 - 2NO Normally open contact, fast and slow moving double contact									
6	Gear	2—2Gears									
7	LED Colors	Red,Green, Customized: Blue、Yellow、White									
8	The Input Voltage	9-24V、220V,Customized: 3-8V、25-48V、110V,AC/DC General									
9	(L)	Internal Code									

The performance parameters

Hole Diameter	Corresponding to the aperture+0.3mm,For example: LBCX2810.5=28.3x10.8mm	
Shell	PA66(RoHS)	
Key	Aluminum oxide (RoHS)	
Panel	PC(RoHS),V2 Level flame retardant	
Pervious To Light Material	PC(RoHS),V2 Level flame retardant	
Contact Material	AgSnO2(RoHS)	
Pins Material	H65 Silver (RoHS)	
Mounting Panel Thickness	≤3.5mm	
Operation Pressure	4.5±0.5N	
Connection Mode	Pins Type	
Soldering Resistance	≤380°C(25~50W Soldering iron) ≤2 Seconds	
Pins Welding Strength	Each pin is welded with 1mm ² wire respectively, no shedding after 80N forward tension	
Pins Reverse Thrust	≥80N There is no displacement, 1min	
Head Anti-off Strength	≥150N,1min	
Working Environment Temperature	-40°C~+80°C,Non-vacuum, non-freeze	
Working Environment Humidity	45~90%RH	
Storage Ambient Temperature	Packing in good condition, -40°C~+55°C	
Storage Ambient Humidity	Packing in good condition, 45~90%RH	
Rated thermal current	I _{th} :20A,250VAC	
Resistive Load	AC-15:110V/250V:16A	DC-13:12V/24V/36V:16A
Inductive Load	AC-15:110V/220V:4A	DC-13:110V:4A
Contact Resistance	≤50mΩ	
Insulation Resistance	≥1000MΩ	
Dielectric Strength	3000VAC,50HZ,1min	
Min. Applicable Load for Contact	3V AC/DC,5mA(Reference value, depending on the environment and load)	
Resistance To Vibration	XYZ, 60HZ,The amplitude 2mm	
Product Fall-Proof	Head vertical drop 1 meter, 3 times, can work normally	
Packaging Fall-Proof	600mm height continuous drop for 4 times, no damage to the product	
Temperature Rise	According to clause 8.3.3.3 in GB/T14048.5 standard	
Salt Spray Test	72H, 3 Cycles (refer to GB/T 2423.18-2012)	
Low Temperature Test	-40°C, 96h, Contact resistance≤200mΩ、Change in pressure≤30%, LED Normal	
High Temperature Test	80°C, 96h, Contact resistance≤200mΩ、Change in pressure≤30%, LED Normal	
High And Low Temperature Impact Test	-40~+85°C, 85%RH, 40min/Circulation, 50 Circulation, Contact resistance≤200mΩ、Change in pressure≤30% LED Normal	
Electrical Life	Resistive load (reference GB/T14048.5) AC220V/15A, DC24V/16A: 20,000 times;AC220V/8A, DC24V/8A: 40,000 times; AC220V/3A, DC24V/3A: 100,000 times	
Mechanical Life	200,000 times (refer to GB/T14048.5)	
ESD Electrostatic	Body mode: 2KV, Customizable 8KV	
LED Rated Current	≤24V,≤20mA;>24V,≤10mA	
LED Type	Patch nonpolar twin chipLED	
LED Resistance	Built-in Resistance	
LED Life	≥50000h(Reference)	
Certificate	CCC CE RoHS(Customized) REACH(Customized)	
Patent No.	ZL201930318531.9	
Quality Assurance	66 Months	



Outline Dimension