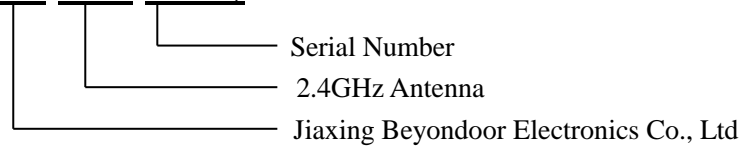




Wifi2.4GHz Antenna Specification

(Model: BY-2400-05-05)



(I) Product Overview

Frequency (MHz): 2400-2500

VSWR \leq 1.5

Gain (dBi): 5

Return Loss (dBi): 17

Power (W): 50

Input Impedance (Ω): 50

Cable Length (mm): 195

Connector: SMA/FME/TNC etc

(II) Product Dimensions

-----1
JIAXING BEYONDOOR ELECTRONICS CO.,LTD

Address: #101, Weiyi West Road, Dongzha Economic Zone ,Jiaxing 314000,Zhejiang,China

<http://www.beyondoor.com>

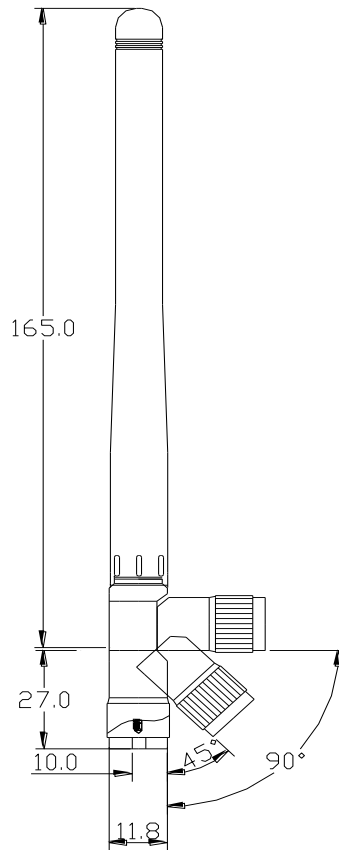
Tel:+86-573-82127009

Fax:+86-573-82052070

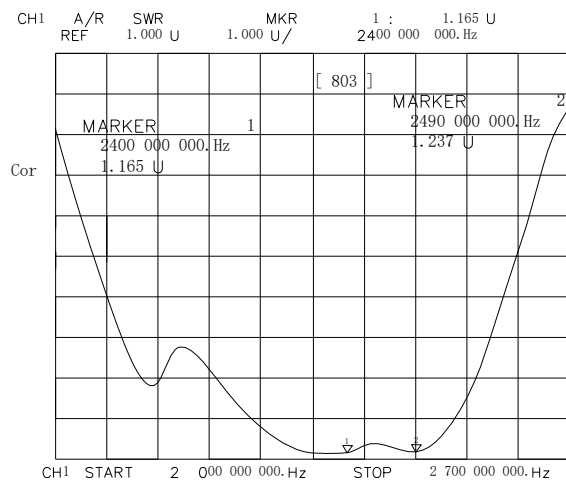
E-MAIL: sales@beyondoor.com or

firstgps@hotmail.com

SKYPE NAME:beyondoorgps



(III) Characteristic curve



JIAXING BEYONDOOR ELECTRONICS CO.,LTD

Address: #101, Weiyi West Road, Dongzha Economic Zone ,Jiaxing 314000,Zhejiang,China

<http://www.beyondoor.com>

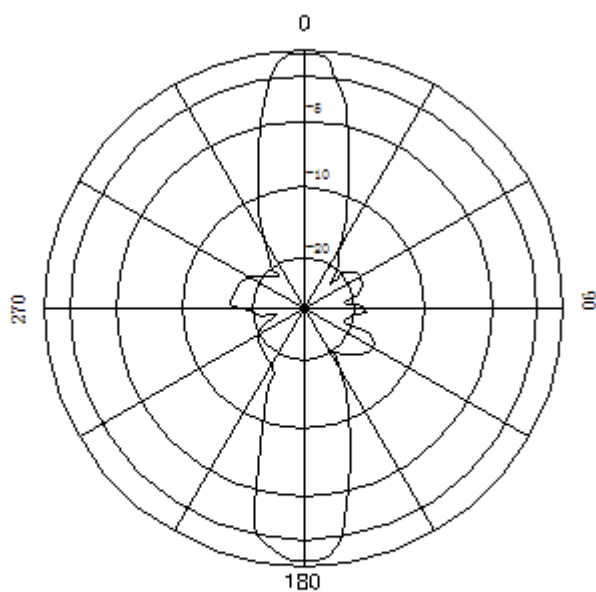
Tel:+86-573-82127009

Fax:+86-573-82052070

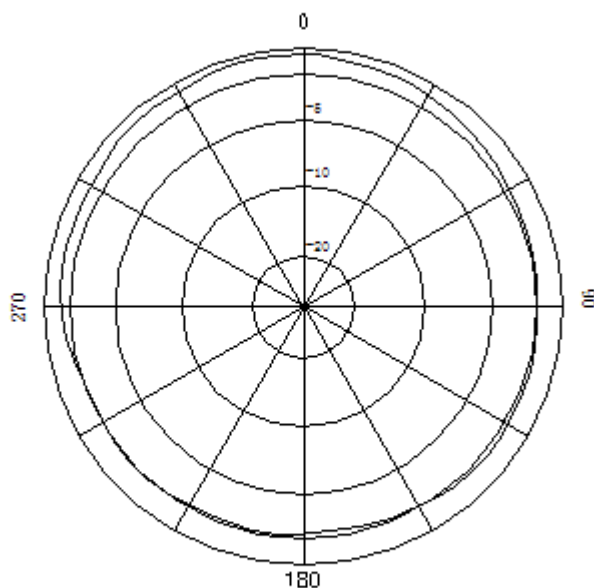
E-MAIL: sales@beyondoor.com or

firstgps@hotmail.com

SKYPE NAME:beyondoorgps



垂直面方向图
Vertical Pattern



水平面方向图
Horizontal Pattern