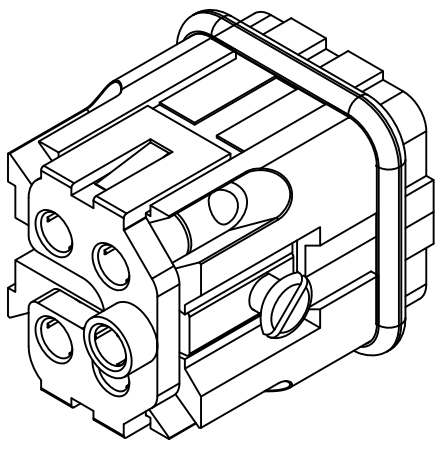
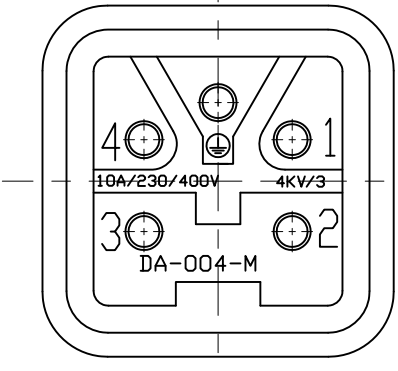
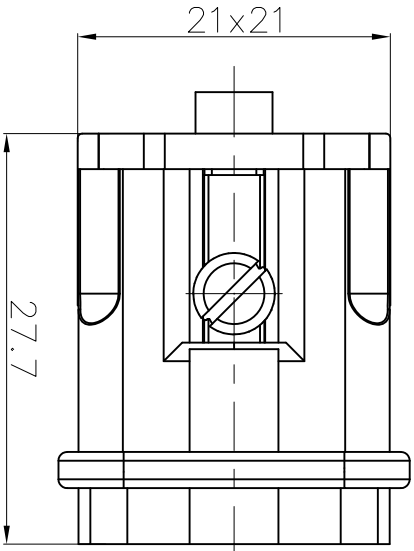
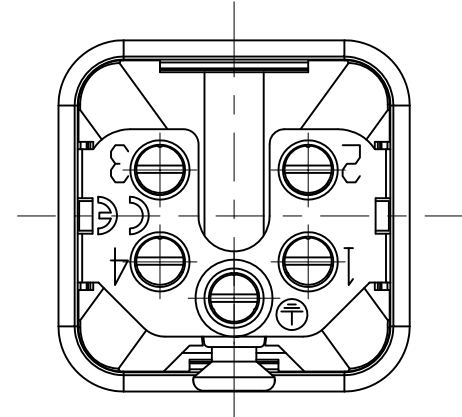


REVISION RECORD				
REV	ECN	DESCRIPTION	DRFT	DATE



DETACHED LISTS				
PART NO.:	/	NAME:	NINGBO DEGSON ELECTRICAL CO., LTD 宁波高松电子有限公司	
APPD:		DA-004-M		
CHKD:		TITLE: CUSTOMER DRAWING	REV	DO
DRFT:		DRAWING NO.:		1/1
THIRD ANGLE PROJECTION		DO NOT SCALE DRAWING	SCALE	2:1

