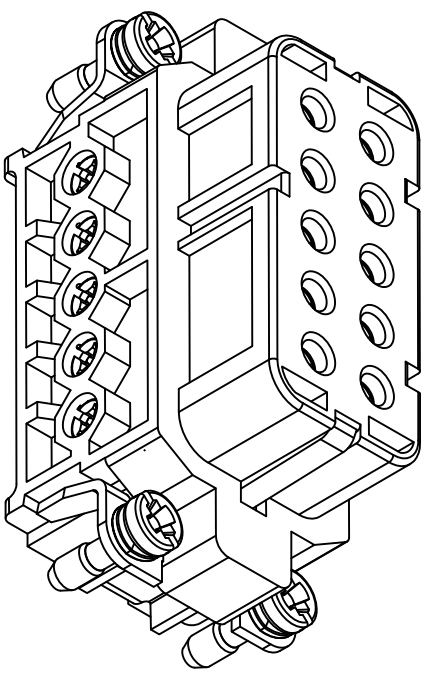
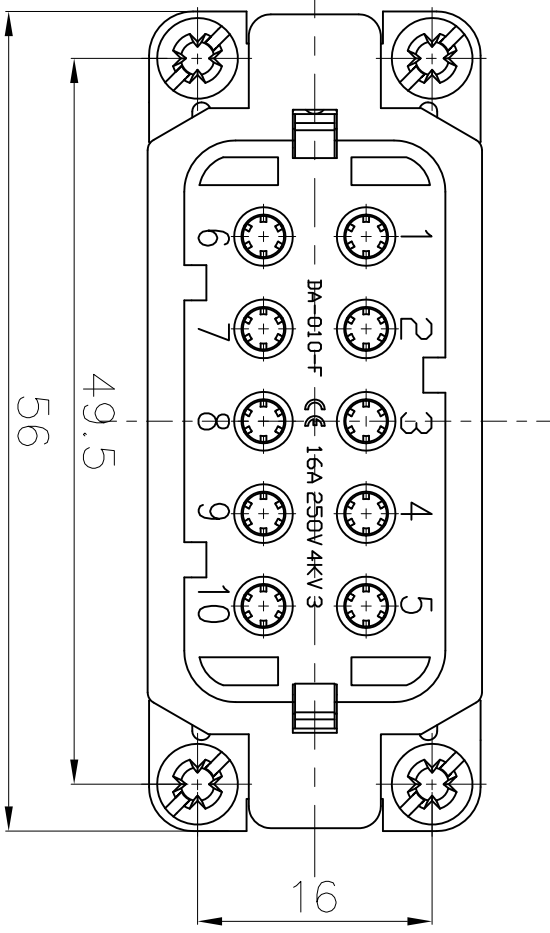
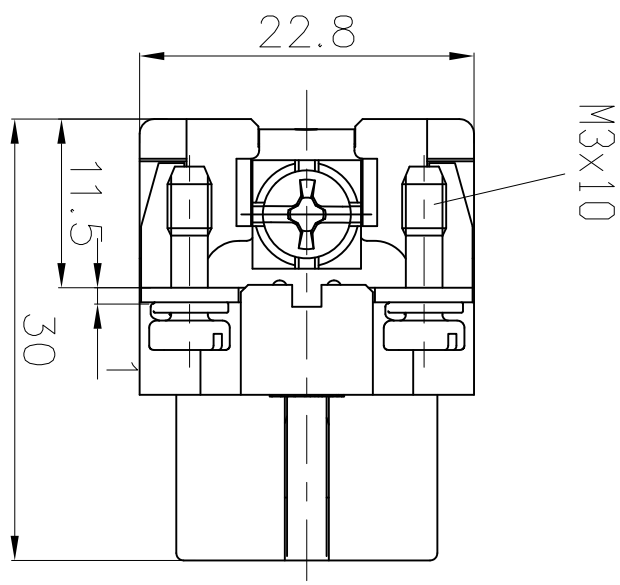


REVISION RECORD				
REV	ECN	DESCRIPTION	DRFT	DATE



A B C D E F G H

8 7 6 5 4 3 2 1

DETACHED LISTS			
PART NO.:	/	NAME:	<b>DEGSON</b> ® NINGBO DEGSON ELECTRICAL CO., LTD 宁波高松电子有限公司
APPD:		TITLE:	CUSTOMER DRAWING
CHKD:		DRAWING NO.:	/
DRFT:		DO NOT SCALE DRAWING	SCALE
		THIRD ANGLE PROJECTION	SCALE
		1X1 (INCH)	2:1

A B C D E F G H