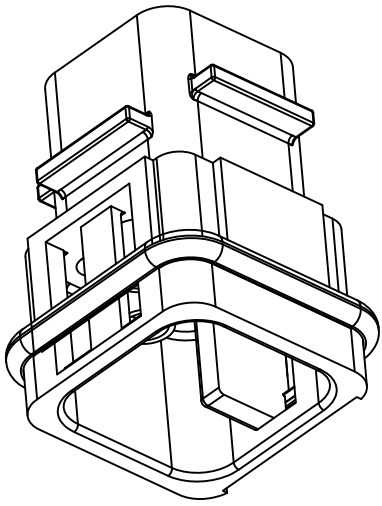
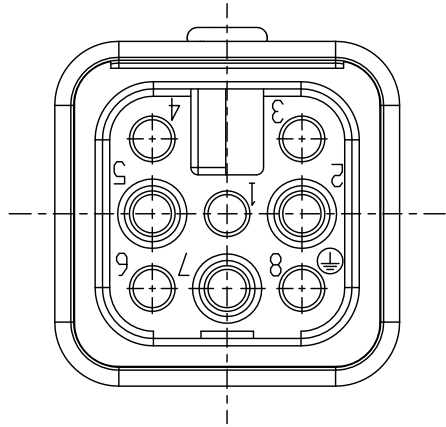
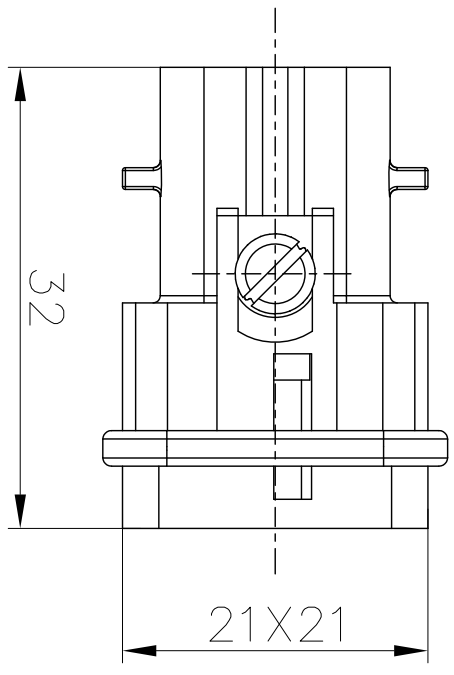


| REVISION RECORD | | | | |
|-----------------|-----|-------------|------|------|
| REV | ECN | DESCRIPTION | DRFT | DATE |
| | | | | |



| DETACHED LISTS | | | |
|------------------------|---|----------------------|---|
| PART NO.: | / | NAME: | DEGSON ® 宁波高松电子有限公司 NINGBO DEGSON ELECTRICAL CO., LTD |
| APPD: | | TITLE: | CUSTOMER DRAWING |
| CHKD: | | DRWING NO.: | / |
| DRFT: | | DO NOT SCALE DRAWING | SCALE |
| THIRD ANGLE PROJECTION | | 1/1 | 2:1 |

A 8 7 6 5 4 3 2 1