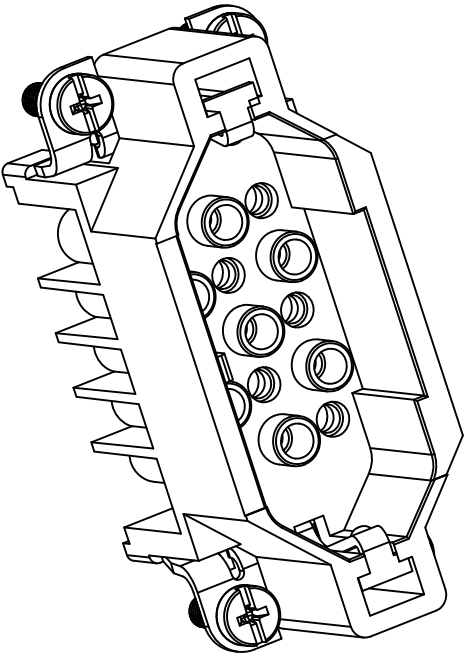
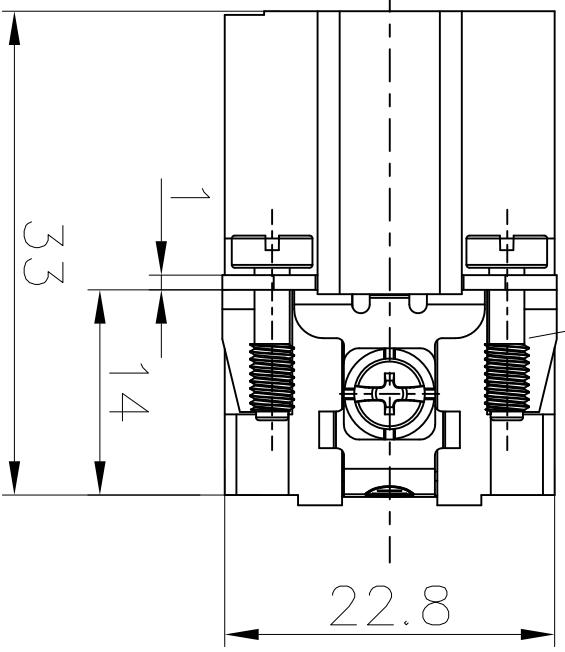
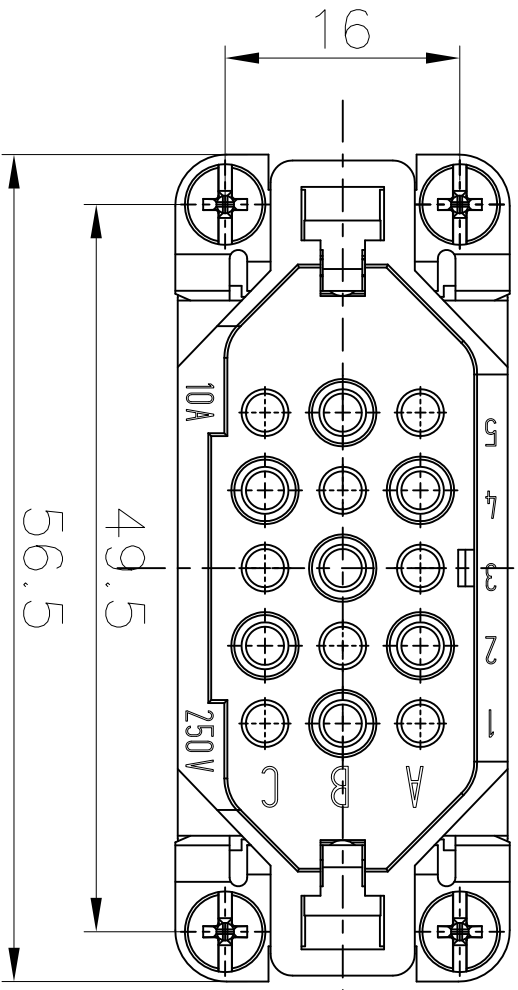


REVISION RECORD				
REV	ECN	DESCRIPTION	DRFT	DATE



A B C D E F G H

8

7

6

5

4

3

2

1

A B C D E F G H

DETACHED LISTS			
PART NO.:	/	NAME:	<b>DEGSON</b> 宁波高松电子有限公司 NINGBO DEGSON ELECTRICAL CO., LTD
APPD:		TITLE:	CUSTOMER DRAWING
CHKD:		DRAWING NO.:	/
DRFT:		DO NOT SCALE DRAWING	SCALE
			2:1

