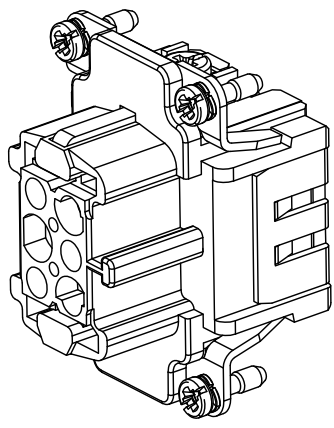
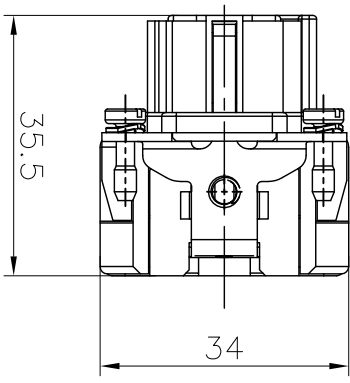
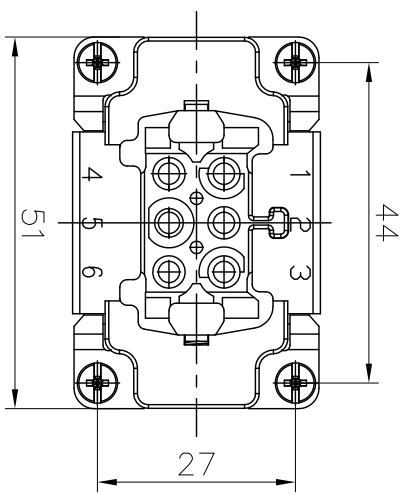
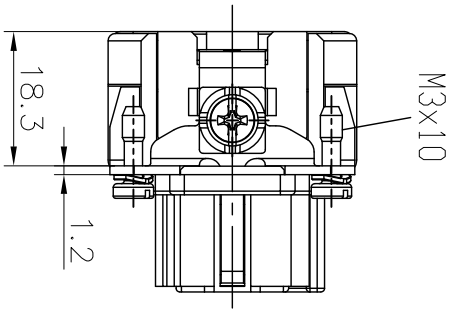


REVISION RECORD				
REV	ECN	DESCRIPTION	DRFT	DATE



DETACHED LISTS			
PART NO.:	/	NAME:	DEGSON ® NINGBO DEGSON ELECTRICAL CO., LTD 宁波高松电子有限公司
APPD:		TITLE:	CUSTOMER DRAWING
CHKD:		DRAWING NO.:	/
DRFT:		DO NOT SCALE DRAWING	SCALE
THIRD ANGLE PROJECTION		1/1	1/1
		1/1	1/1

A 8 7 6 5 4 3 2 1

B 8 7 6 5 4 3 2 1

C 8 7 6 5 4 3 2 1

D 8 7 6 5 4 3 2 1

E 8 7 6 5 4 3 2 1

F 8 7 6 5 4 3 2 1

G 8 7 6 5 4 3 2 1

H 8 7 6 5 4 3 2 1