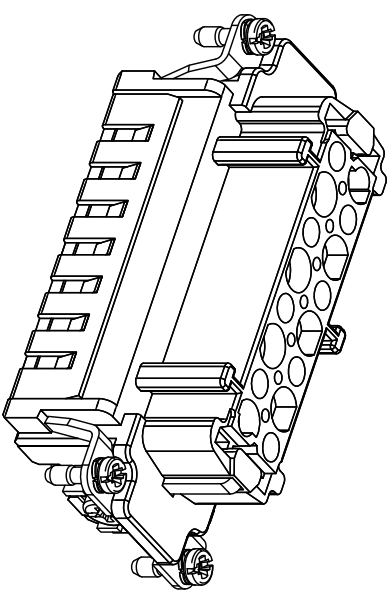
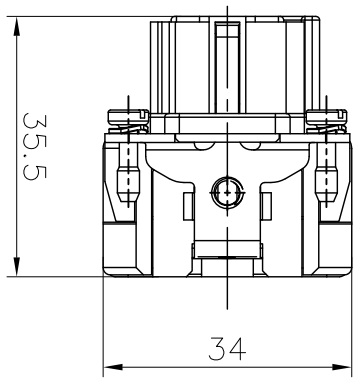
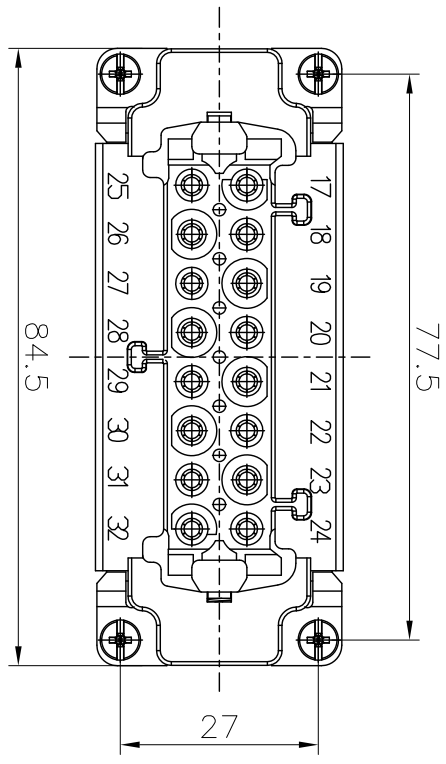
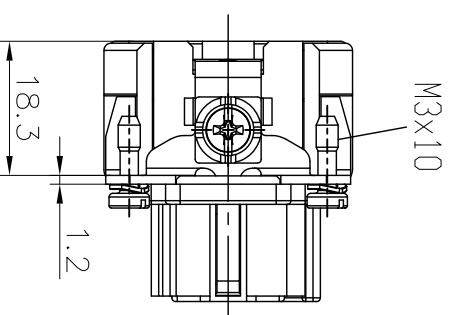


REVISION RECORD			
REV	ECN	DESCRIPTION	DATE



DETACHED LISTS			
PART NO.:	/	NAME:	DEGSON 宁波高松电子有限公司 NINGBO DEGSON ELECTRICAL CO., LTD
APPD:		TITLE:	CUSTOMER DRAWING
CHKD:		DRAWING NO.:	/
DRFT:		DO NOT SCALE DRAWING	SCALE
		THIRD ANGLE PROJECTION	SCALE
		1X1 (INCH)	1:1

A 8

B 7

C 6

D 5

E 4

F 3

G 2

H 1

A

B

C

D

E

F

G

H