

REVISION RECORD				
REV	ECN	DESCRIPTION	DRFT	DATE

A B C D E F G H

8

7

6

5

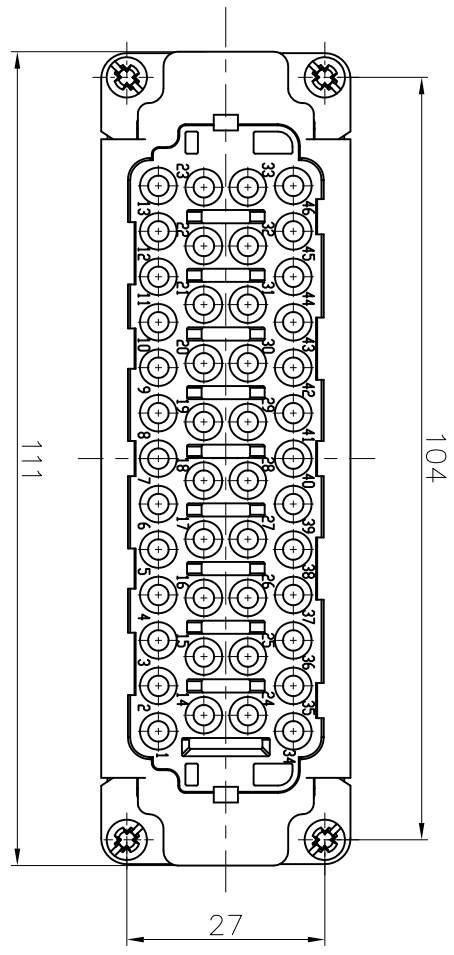
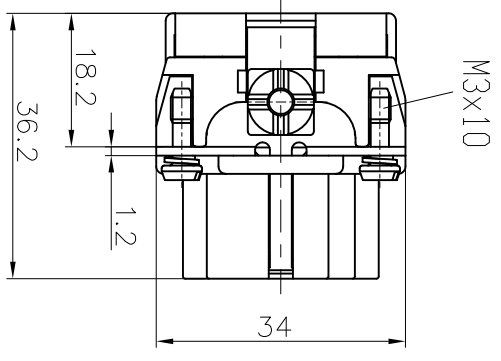
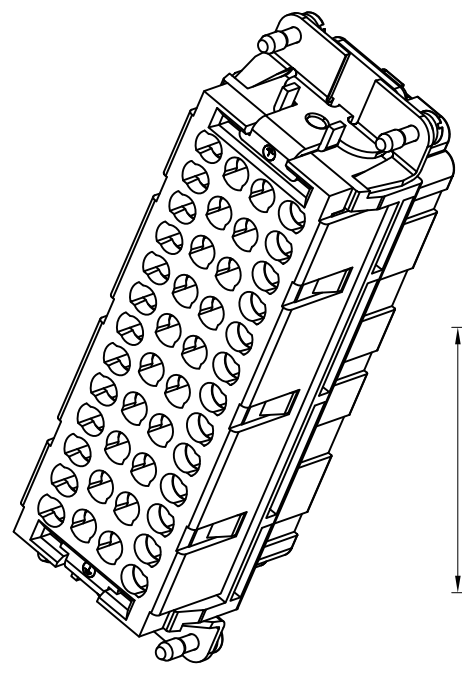
4

3

2

1

A B C D E F G H



DETACHED LISTS		PART NO.:	/	NAME:	NINGBO DEGSON ELECTRICAL CO., LTD 宁波高松电子有限公司	
APPD:		CHKD:		TITLE:	CUSTOMER DRAWING	
DRFT:				DRAWING NO.:	/	
				DO NOT SCALE DRAWING	REV	DO
				THIRD ANGLE PROJECTION	SHEET	SCALE
				1:1	1/1	1:1