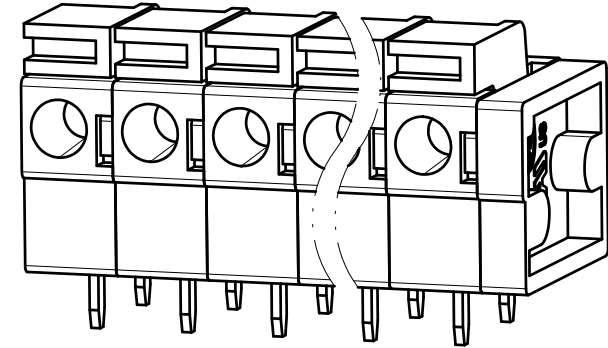


未注公差/General tolerances (mm)													0.1/10
0	>3	>6	>10	>18	>30	>50	>80	>120	>180	>250	>315	>400	
~3	~6	~10	~18	~30	~50	~80	~120	~180	~250	~315	~400	~500	
±0.12	±0.18	±0.22	±0.26	±0.31	±0.37	±0.57	±0.80	±0.93	±1.05	±1.15	±1.60	±2.20	
												±2.50	



Note: The A&Z(H) in the name means: A(H) and Z(H).

ITEM	NAME OF PART	MATERIAL	NOTES
5	Spring	Stainless Steel	/
4	Housing	PA66	UL94V-0
3	Cover	PA66	UL94V-0
2	Button	PA66	UL94V-0
1	Pin header	Copper alloy	Sn plated

UL 标准/UL Standard:	B	C	D
额定电压/电压/Rated Voltage(V)/Current(A)	300/10	300/10	300/10
IEC 标准/IEC Standard:			
过压类别/Overvoltage Category/污染等级/Pollution Degree	III/3	III/2	II/2
额定电压/电压/Rated Voltage(V)/Current(A)	/	250/15	/
工频耐压/Withstanding Voltage(V/Min)	AC2000		
线径范围(硬线和软线)/Wire Range(rigid and flexible)(AWG/mm²)	22~16 / 0.2~1.5		
间距/Pitch(mm)/线数范围/Poles	5.08/N=02~24P		
剥线长度/Stripping length(mm)	10		
使用温度范围/Operating temperature(°C)	-40~+105		
符合RoHS环保要求/Conform to RoHS	Yes		



MATERIAL: -	SURFACE/COLOR:
MAT NO./REV: - / 00	MAT STATUS: 批量

APPD: 兰春华	2022.08.31	NAME	DG142R-5.08-XXP-1Y-00A&Z(H)		
CHKD: 陈招	2022.08.31	DRAWING NO.	200022101	TYPE	CUSTOMER DRAWING

REV	ECN	DESCRIPTION	DRFT	DATE	SCALE	SHEET
00			袁路易	2022.08.31	2.5:1	1/1

Transfer or duplication of this document as well as the utilization or communication of its contents are prohibited unless authorized in writing by DEGSON. All rights reserved for patent. 未经授权，不得复制或传播本文件内容。如有侵权，必究。 本公司保留对本文件的所有权利。