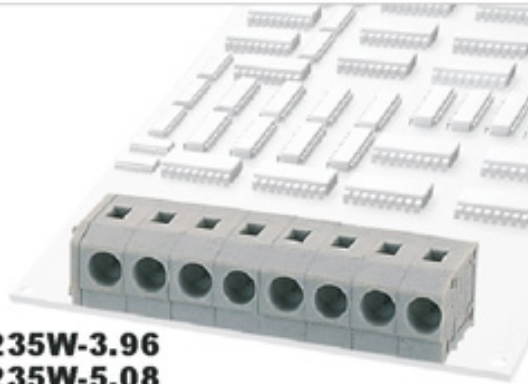


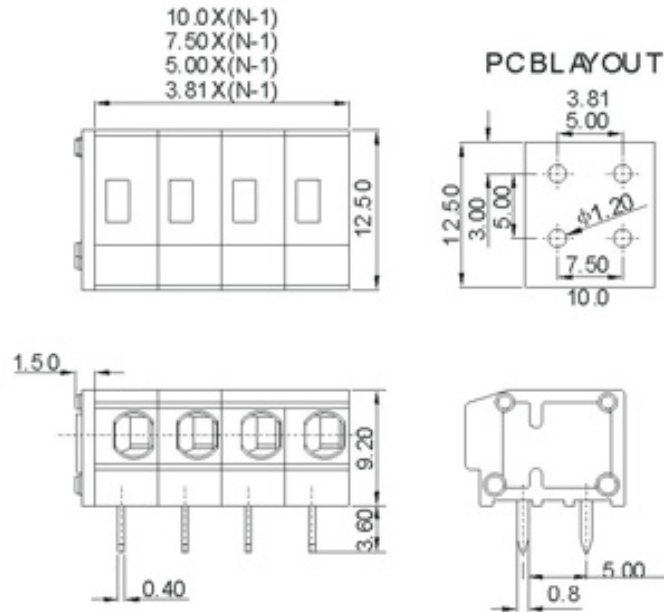


# DEGSON ELECTRONICS CO., LTD.

## Product Specification



**DG235W-3.81** **DG235W-3.96**  
**DG235W-5.0** **DG235W-5.08**  
**DG235W-7.5** **DG235W-7.62**  
**DG235W-10.0** **DG235W-10.16**



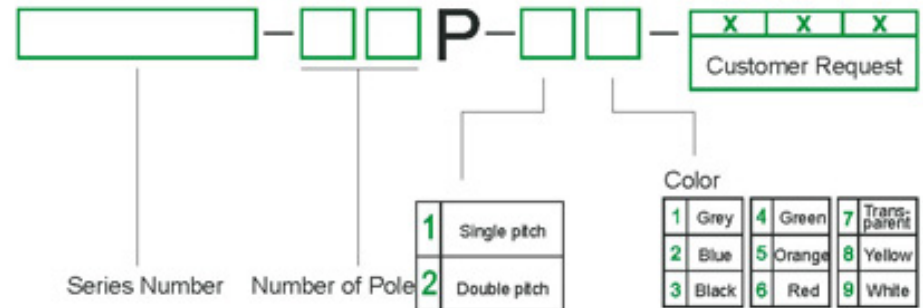
<b>Approval</b>		
<b>Electrical</b>		
Standard	UL	IEC
Rated voltage	300V	250V
Rated current	5A	10A
Wire range	20-18AWG	1.5mm <sup>2</sup>
With standing voltage	AC2000V/1Min	

<b>Mechanical</b>	
Ambient temperature	-40°C~+105°C
Strip length	9-10mm

<b>Dimensions</b>	
Pitch	3.81mm(150") 3.96mm(156") 5.0mm(197") 5.08mm(200") 7.5mm(295") 7.62mm(300") 10.0mm(394") 10.16mm(400")
Poles	1P-XXP

<b>Material</b>	
Housing	PA66, UL94V-0
Pin header	Phosphor bronze, Tin plated
Wire guard	Stainless steel

### HOW TO ORDER



 	<b>DEGSON ELECTRONICS CO., LTD.</b> NAME DG235W-3.81 DG235W-3.96 DG235W-5.0 DG235W-5.08 DG235W-7.5 DG235W-7.62 DG235W-10.0 DG235W-10.16
------	--