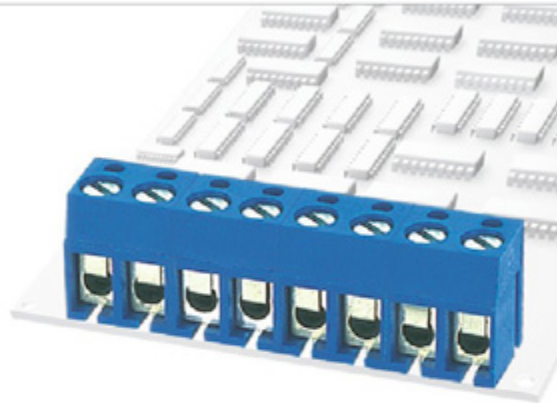


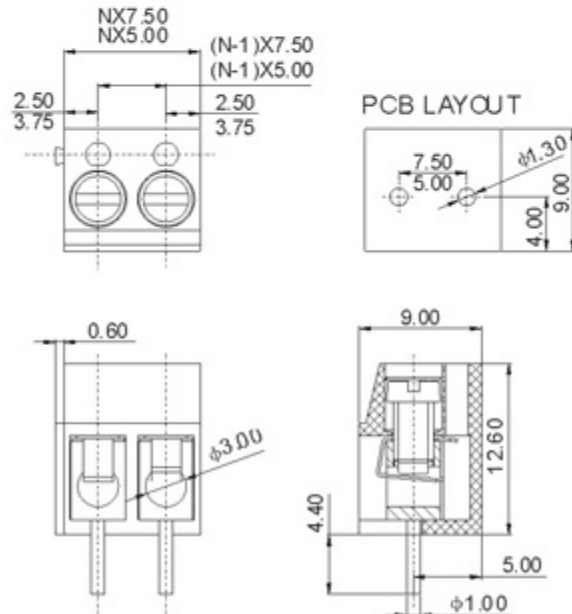


DEGSON ELECTRONICS CO., LTD.

Product Specification



DG300-5.0
DG300-7.5

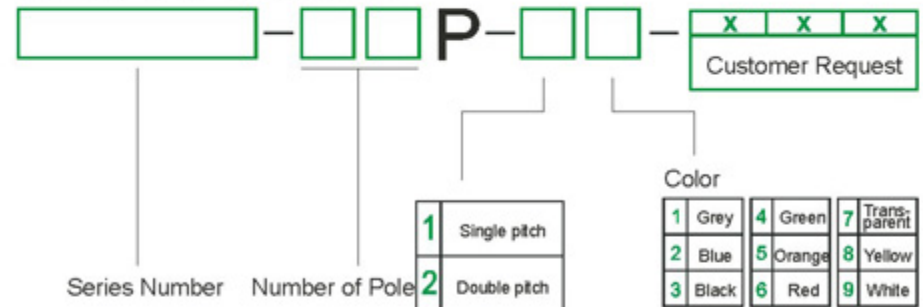


Approval		
Electrical		
Standard	UL	IEC
Rated voltage	300V	250V
Rated current	10A	24A
Wire range	22-14AWG	2.5mm ²
With standing voltage	AC2000V/1Min	

Mechanical		
Torque	0.5Nm(4.4Lb-In.)	
Ambient temperature	-30°C~+120°C	
Strip length	5-6mm	
Dimensions		
Pitch	5.0mm(.197") 7.5mm(.295")	
Poles	2P,3P-24P	

Material		
Housing	PBT, UL94V-0	
Screws	M3, steel, Cr ³⁺ Zn plated	
Pin header	Brass, Tin plated	
Wire guard	Stainless steel	

HOW TO ORDER



 MM (IN CH)	 DEGSON ELECTRONICS CO., LTD.
 THIRD ANGLE PROJECTION	NAME DG300-5.0 DG300-7.5