



# MEAN WELL

## SWITCHING POWER SUPPLY

ISO-9001 CERTIFIED MANUFACTURER

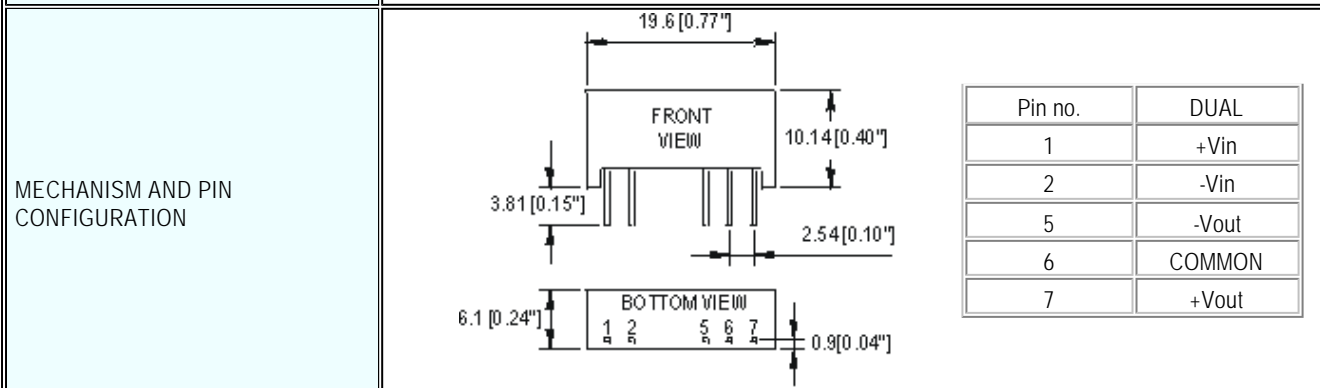
# DPU01L

## -B3

### SERIES

- |                              |                                  |
|------------------------------|----------------------------------|
| .UNREGULATED DC OUTPUT       | .NO EXTERNAL COMPONENTS REQUIRED |
| .3000VDC I/O ISOLATION       | .HIGH RELIABILITY / LOW COST     |
| .INPUT FILTER:CAPACITOR TYPE | .100% BURN-IN TEST               |
| .INTERNAL SMD TECHNOLOGY     | .MTBF:700,000 HOURS              |

ORDER NO.	DPU01L-05B3	DPU01L-12B3	DPU01L-15B3
SPECIFICATION			
DC OUTPUT VOLTAGE	±5V	±2V	±5V
OUTPUT VOLTAGE ACCURACY	±2%		
OUTPUT RATED CURRENT	±100mA	±2mA	±4mA
OUTPUT CURRENT RANGE	0- ±100mA	0- ±2mA	0- ±4mA
RIPPLE & NOISE	100mVp-p (max.)		
LINE REGULATION	±1.2% FOR 1% INPUT VARIATION		
LOAD REGULATION	±8% @ 20%-FULL LOAD		
DC OUTPUT POWER	1W	1W	1W
EFFICIENCY	73%	79%	79%
SWITCHING FREQUENCY	100KHz min.		
INPUT VOLTAGE RANGE	5 ±10% (4.5-5.5VDC)		
INPUT CURRENT	274mA max.		
SHORT CIRCUIT PROTECTION	MOMENTARY		
OVER VOLTAGE PROTECTION	-----		
TEMP. COEFFICIENT	±0.03% / °C (0-50°C)		
ISOLATION VOLTAGE	I/P-O/P:3KVDC MIN.		
ISOLATION RESISTANCE	I/P-O/P:500VDC / 100M Ohms MIN.		
ISOLATION CAPACITANCE	80pF max.		
WORKING TEMP., HUMIDITY	-25°C~+60°C, 20%~90% RH (NO DERATING); 80% LOAD @ 71°C		
STORAGE TEMP., HUMIDITY	-40°C~+105°C, 10%~95% RH		
DIMENSION	0.77"*0.40"*0.24"		
WEIGHT	2.1g		
CASE METERIAL	NON-CONDUCTIVE PLASTIC		



- NOTE :
- 1.ALL PARAMETERS ARE SPECIFIED AT RATED INPUT, RATED LOAD, 25°C 70% RH. AMBIENT.
  - 2.RIPPLE & NOISE ARE MEASURED AT 20MHz BY USING A 12" TWISTED PAIR TERMINATED WITH A 0.1uF & 47uF CAPACITOR.
  - 3.LINE REGULATION IS MEASURED FROM LOW LINE TO HIGH LINE AT RATED LOAD.
  - 4.LOAD REGULATION IS MEASURED FROM 20% TO 100% RATED LOAD.