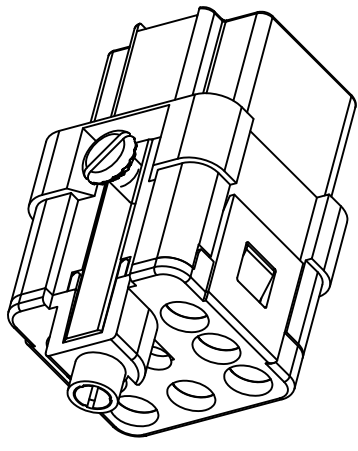
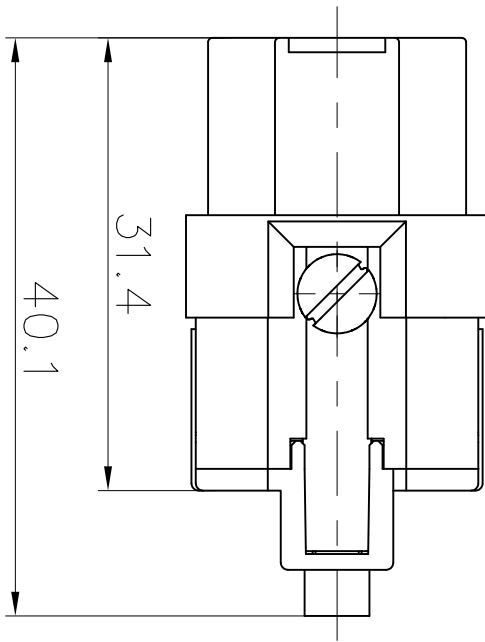
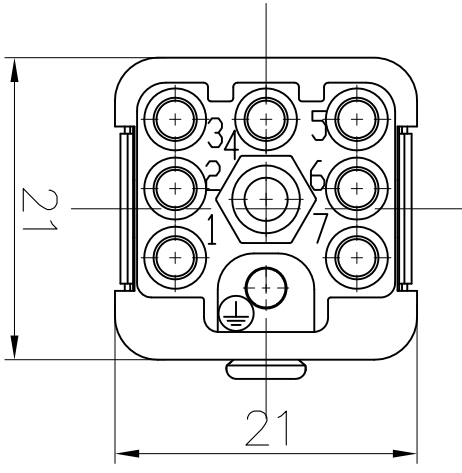


REVISION RECORD				
REV	ECN	DESCRIPTION	DRFT	DATE



DETACHED LISTS			
PART NO.:	/	NAME:	<b>DEGSON</b> 宁波高松电子有限公司 NINGBO DEGSON ELECTRICAL CO., LTD
APPD:		TITLE:	CUSTOMER DRAWING
CHKD:		DRAWING NO.:	/
DRFT:		DO NOT SCALE DRAWING	SCALE
THIRD ANGLE PROJECTION		REV	DO
		SHEET	1/1
		SCALE	2:1

A 8 7 6 5 4 3 2 1