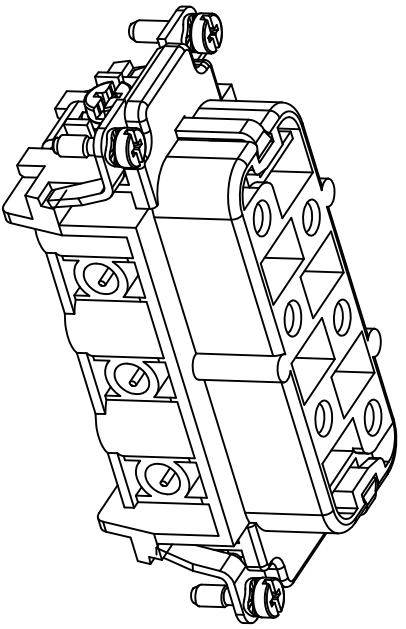
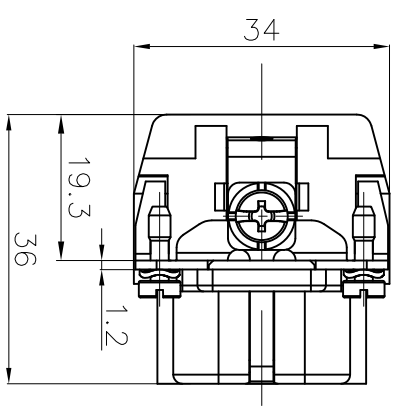
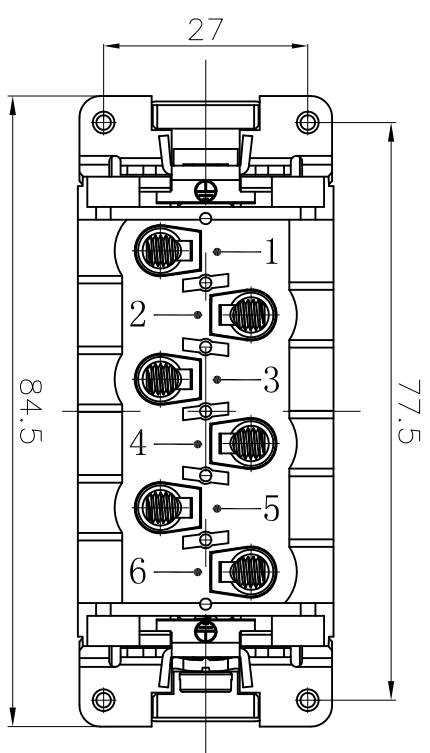


REVISION RECORD				
REV	ECN	DESCRIPTION	DRFT	DATE



DETACHED LISTS			
PART NO.:	/	NAME:	DEGSON [®] 宁波高松电子有限公司 NINGBO DEGSON ELECTRICAL CO., LTD
APPD:		TITLE:	CUSTOMER DRAWING
CHKD:		DRAWING NO.:	/
DRFT:		REV	DO
THIRD ANGLE PROJECTION		SCALE	1:1
		DO NOT SCALE DRAWING	

A B C D E F G H 8 7 6 5 4 3 2 1