

Rotary Encoder Wheel- EW001

Pictures

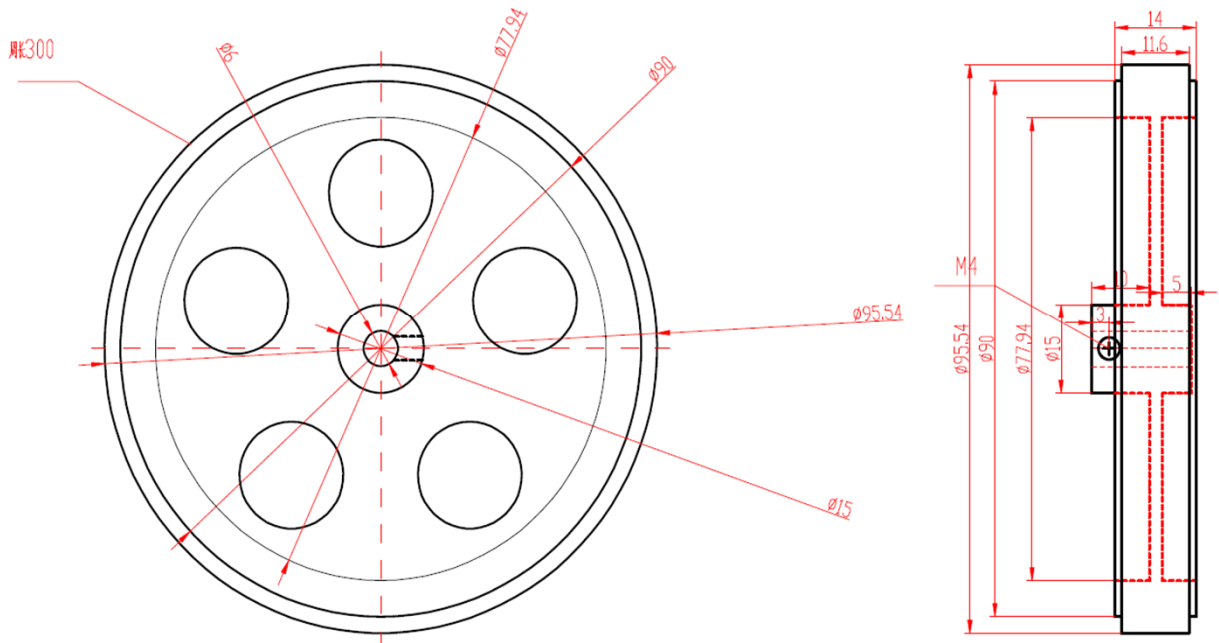


Modle Number

Parameter

EW-001-01	Perimeter 300MM , Bore size 6mm
EW-001-02	Perimeter 300MM , Bore size 8mm
EW-001-03	Perimeter 300MM , Bore size 10mm

Dimension



Material

Yellow Part	Plastic
Black Part	Vulcanized rubber
Metal Part	Aluminium alloy
Weight	0.07KG