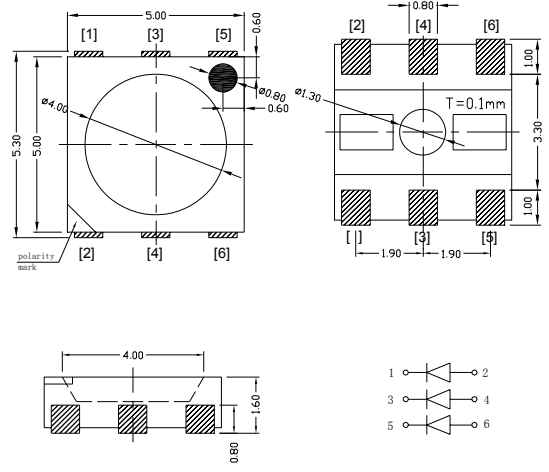


GNL-5050xx (5050 SMD TYPE) Ultra Brightness

ABSOLUTE MAXIMUM RATING:(Ta=25°C)



Parameter			Unit
DC Forward Current	25		mA
Reverse Voltage	5		V
Reverse Current (Vr=5V)	5		μA
Peak Forward Current ,tw ,=1 msec Duty ,=1/20	100		mA
Operation Temperature	-40	+85	°C
Storage Temperature	-40	+100	°C
Solder Dip Temperature (5 seconds, 1.6mm from body)	300	±5	°C

Features:

- Compatible with automatic placement equipment
- Compatible with reflow solder process

Applications:

- Automotive and Telecommunication
- General use for indicators

Part Number	EMITTED COLOR		Lens Color	Peak Wavelength (nm)	Vf (v) Typ.	IV (If=20mA) mcd		View Angle 2 θ 1/2
						Min.	Typ.	
GNL-5050UEC	AlGaInP	Red	Water Clear	625	2.0	500	750	120°
GNL-5050UGC	InGaN	Green	Water Clear	525	3.2	1800	2600	120°
GNL-5050UBC	InGaN	Blue	Water Clear	470	3.2	320	500	120°
GNL-5050UYC	InGaAlP	Yellow	Water Clear	590	2.0	460	660	120°
GNL-5050UWC	InGaN	White	Water Clear	5500K-7500K	3.2	3000	4000	120°