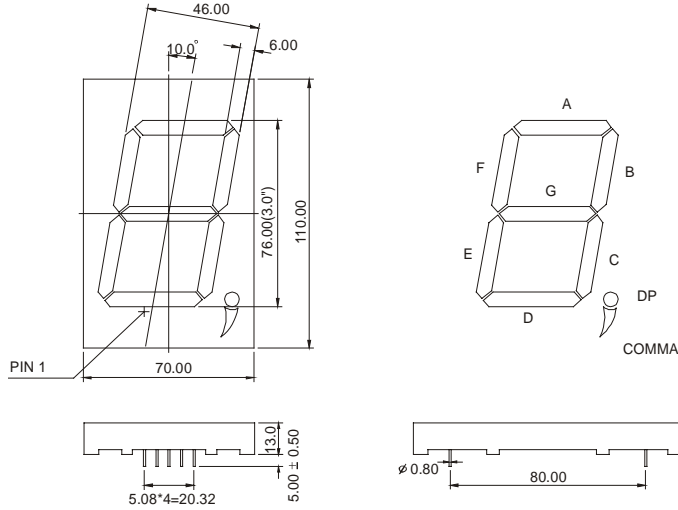
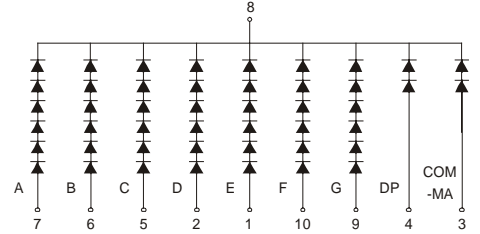


GNS-30011Ax-Bx (SINGLE DIGIT LED DISPLAY)

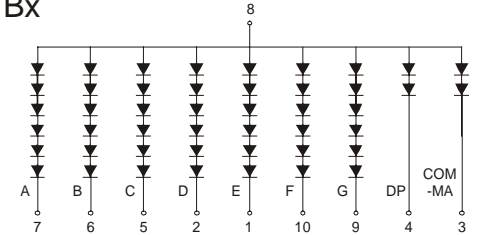
GNS-30011 Series



GNS-30011Ax



GNS-30011Bx



Features:

*3.0 INCH HIGH CHARACTER.

*EXCELLENT CHARACTER APPEARANCE.

*COMMON CATHODE OR COMMON ANODE.

*I.C. COMPATIBLE

*LOW POWER CONSUMPTION.

Part Number	EMITTED COLOR		Common Cathode or Common Anode	Peak Wavelength (nm)	Vf (v) Typ	If (mA)	Intensity Per Segment (mcd)	
							Min.	Typ.
GNS-30011AE	GaAsP/GaP	Hi.effi Red	Common Cathode	635	2.0	20	54	72
GNS-30011AG	GaP	Green		565	2.1	20	48	66
GNS-30011AY	GaAsP/GaP	Yellow		585	2.0	20	54	72
GNS-30011AS	GaAlAs	Super Red		660	1.8	20	60	78
GNS-30011AD	GaAlAs	Ultrs Red		660	1.8	20	150	180
GNS-30011AUE	AlGaInP	Ultra Red		625	2.0	20	180	210
GNS-30011AUY	AlGaInP	Ultra Yellow		590	2.0	20	180	210
GNS-30011BE	GaAsP/GaP	Hi.effi Red	Common Anode	635	2.0	20	54	72
GNS-30011BG	Gap	Green		565	2.1	20	48	66
GNS-30011BY	GaAsP/GaP	Yellow		585	2.0	20	54	72
GNS-30011BS	GaAlAs	Super Red		660	1.8	20	60	78
GNS-30011BD	GaAlAs	Ultrs Red		660	1.8	20	150	180
GNS-30011BUE	AlGaInP	Ultra Red		625	2.0	20	180	210
GNS-30011BUY	AlGaInP	Ultra Yellow		590	2.0	20	180	210