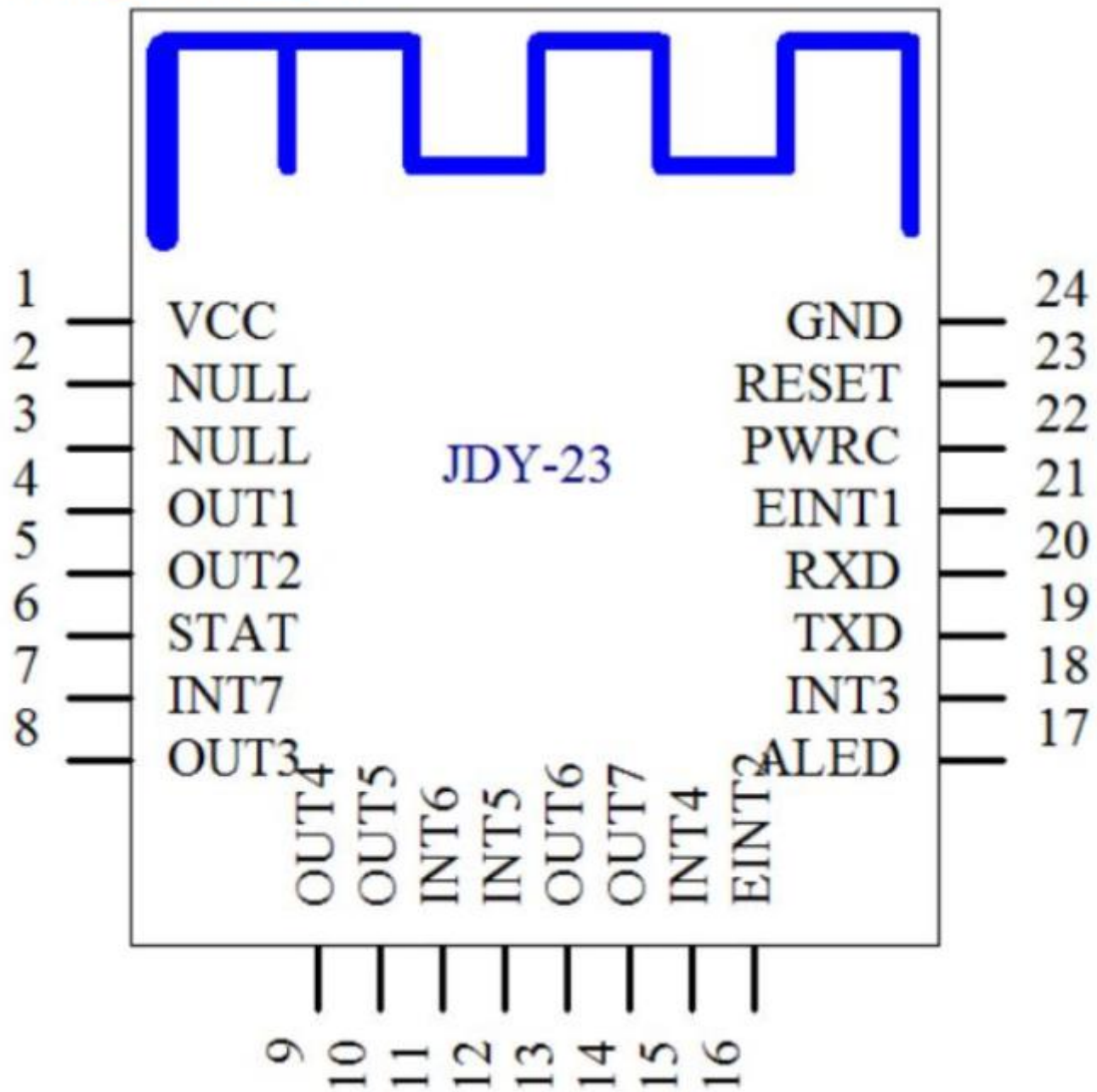


JDY-23 product parameters	
Model	JDY-23
Working frequency	2.4G
Transmit power	4db(maximum)
Communication Interface	UART
Operating voltage	1.8V – 3.6V
Operating temperature	-40 °- 80 °
Antenna	Built-in PCB antenna
Receiving sensitivity	-97dbm
Transmission distance	60 meter
Master-slave support	Slave
Module size	20.2 * 14.9 *1.8 mm(Length, width and height)
Bluetooth version	BLE 5.0(Compatible with BLE4.0, BLE4.2)
Awakening state current	800uA(Broadcast)
Light sleep state current	<50uA (Broadcast)
Deep sleep current	9uA (No broadcast)
Instruction parameter saving	Parameter configuration power-down data is saved
SMT soldering temperature	<260 °
Rf-Tx/Rx peak current	5mA

Pin definition



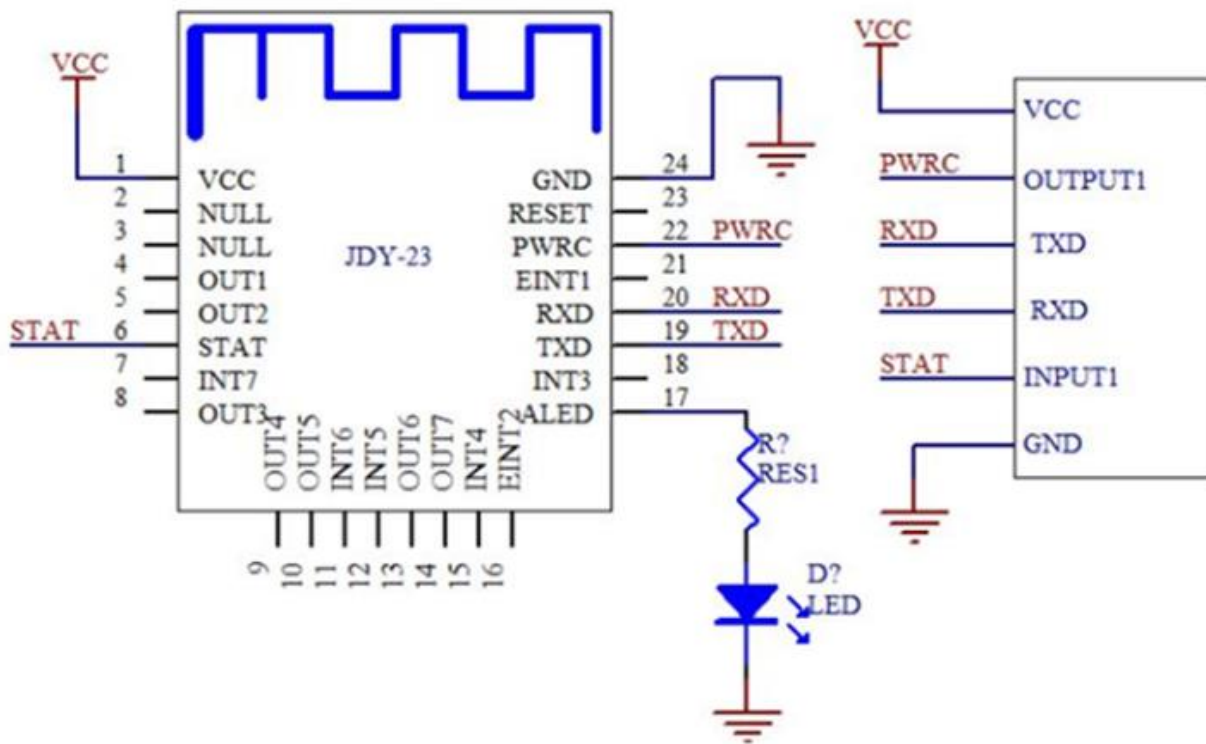
	Features	Description
1	VCC	Power supply (1.8-3.6V)
2	NULL	No
3	NULL	No
4	OUTPUT1	IO1 output pin (support APP control high and low level)
5	OUTPUT2	IO2 output pin (support APP control high and low level)
6	STAT	Connection status pin, connected high, not connected low
7	INPUT7/PWM4	INPUT7 mode: For the input pin, the APP can read the status of this pin. PWM mode: PWM4 output pin, APP can control PWM4 pulse width The default is: INPUT7 mode
8	OUTPUT3	IO3 output pin (support APP control high and low level)
9	OUTPUT4	IO4 output pin (support APP control high and low level)
10	OUTPUT5	IO5 output pin (support APP control high and low level)
11	INPUT6/PWM3	INPUT6 mode: For the input pin, the APP can read the status of this pin. PWM mode: PWM3 output pin, APP can control PWM3 pulse width The default is: INPUT6 mode
12	INPUT5/PWM2	INPUT5 mode: For the input pin, the APP can read the status of this pin. PWM mode: PWM2 output pin, APP can control PWM2 pulse width The default is: INPUT5 mode
13	OUTPUT6	IO6 output pin (support APP control high and low level)
14	OUTPUT7	IO7 output pin (support APP control high and low level)
15	INPUT4	For the input pin, the APP can read the status of this pin.
16	EINT2	Interrupt input pin (in the connected state, press to actively send IO status to APP)
17	ALED	Broadcast indicator pin
18	INPUT3/PWM1	INPUT3 mode: For the input pin, the APP can read the status of this pin. PWM mode: PWM1 output pin, APP can control PWM1 pulse width The default is: INPUT3 mode
19	TXD	Serial output pin (TTL level)
20	RXD	Serial input pin (TTL level)
21	EINT1	Interrupt input pin (in the connected state, press to actively send IO status to APP)

22	PWRC	Sleep wake-up pin, active low In the connected state, the AT command can be pulled low through the PWRC pin.
23	RST	Reset pin, active low
24	GND	Power ground

Serial AT instruction set

Note:JDY-23 module Serial port sends AT command Must add \r\n

Sequence	Instruction	Effect	Master/Slave	Default
1	AT+VER	version number	S	JDY-23-V2.1
2	AT+RST	Soft reset	S	-
3	AT+DISC	AT command disconnected	S	-
4	AT+STAT			0
5	AT+MAC	MAC address	S	-
6	AT+BAUD	Baud rate	S	9600
7	AT+SLEEP	Sleep	S	
8	AT+NAME	Broadcast name	S	JDY-23
9	AT+STARTEN	Boot sleep or wake up	S	0(Boot wake up)
10	AT+ADVIN	Broadcast interval	S	1(200mS)
11	AT+HOSTEN	Slave mode or IBEACON working mode	S	0(Slave)
12	AT+IBUID	IBEACON's UUID	S	FDA50693A4E24FB1AFCFC6EB07647825
13	AT+MAJOR	IBEACON's MAJOR	S	10
14	AT+MINOR	IBEACON's MINOR	S	7
15	AT+IBSING	Signal calibration at 1 meter		0x32
16	AT+ALED	Broadcast LED indicator switch		1
17	AT+IBPWR	IBEACON SING value	S	50
18	AT+DEFAULT	Reset	S	-
19	AT+POWR	Transmit power	S	8
20	AT+ENLOG	Serial output LOG switch	S	0
21	AT+MTU	Set the serial port to the APP to send a long number of packets	S	1
22	AT+BATT	Set battery	S	0



JDY-23 mobile APP control OUT pin high and low level and read INT pin level wiring diagram

