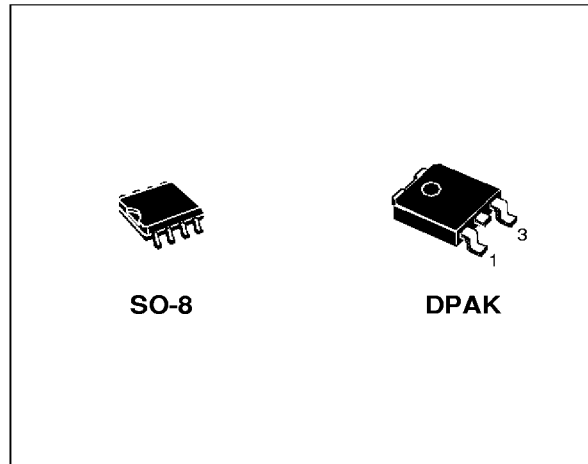




VERY LOW DROP VOLTAGE REGULATORS WITH INHIBIT

- VERY LOW DROPOUT VOLTAGE (0.4V)
- VERY LOW QUIESCENT CURRENT (TYP. 50 μ A IN OFF MODE, 500 μ A IN ON MODE)
- OUTPUT CURRENT UP TO 500 mA
- LOGIC-CONTROLLED ELECTRONIC SHUTDOWN
- OUTPUT VOLTAGES OF 1.25; 1.5; 2.5; 2.7; 3; 3.3; 3.5; 4; 4.5; 4.7; 5; 5.2; 5.5; 6; 8; 8.5; 12V
- INTERNAL CURRENT AND THERMAL LIMIT
- ONLY 2.2 μ F FOR STABILITY
- AVAILABLE IN \pm 2% ACCURACY AT 25 $^{\circ}$ C
- SUPPLY VOLTAGE REJECTION: 70 db (TYP.)
- TEMPERATURE RANGE: -40 TO 125 $^{\circ}$ C



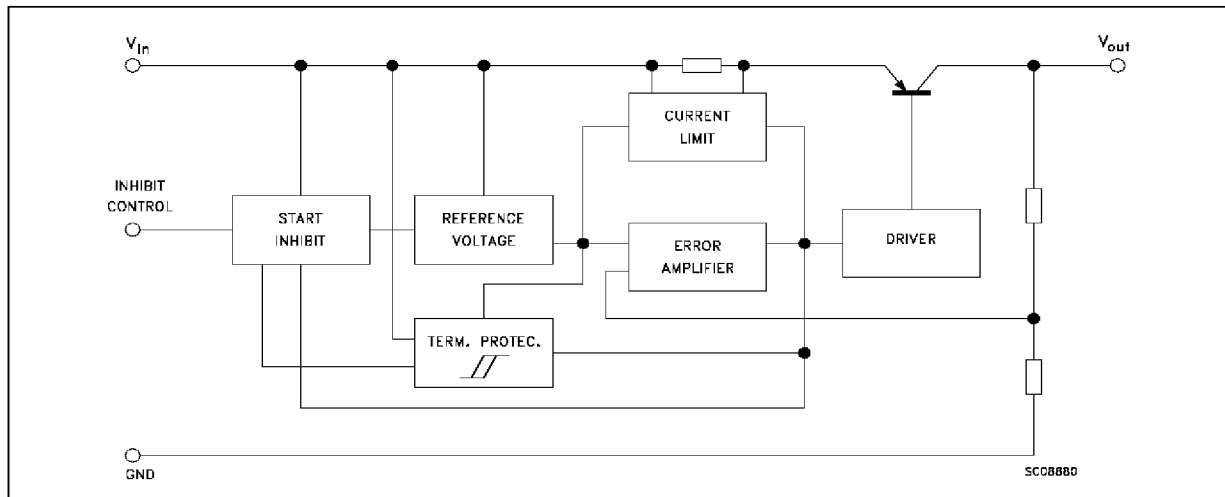
DESCRIPTION

The KF00 series are very Low Drop regulators available in SO-8 package and in a wide range of output voltages.

The very Low Drop voltage (0.4V) and the very low quiescent current make them particularly suitable for Low Noise, Low Power applications and specially in battery powered systems.

A Shutdown Logic Control function is available (pin 5, TTL compatible). This means that when the device is used as a local regulator, it is possible to put a part of the board in standby, decreasing the total power consumption. It requires only a 2.2 μ F capacitor for stability allowing space and cost saving.

SCHEMATIC DIAGRAM



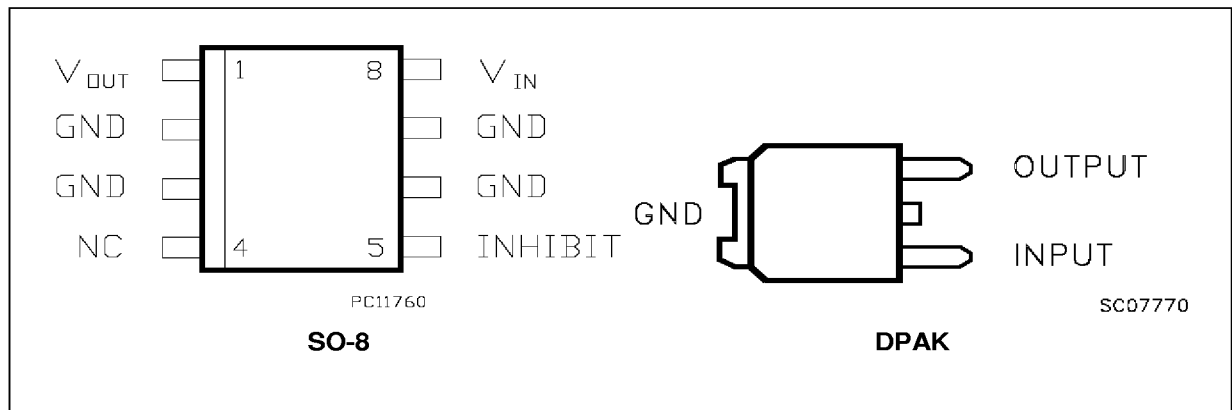
ABSOLUTE MAXIMUM RATINGS

Symbol	Parameter	Value	Unit
V_i	DC Input Voltage	-0.5 to 20	V
I_o	Output Current	Internally limited	
P_{tot}	Power Dissipation	Internally limited	
T_{stg}	Storage Temperature Range	- 40 to 150	°C
T_{op}	Operating Junction Temperature Range	- 40 to 125	°C

THERMAL DATA

Symbol	Parameter	DAK	SO-8	Unit
$R_{thj-case}$	Thermal Resistance Junction-case	8	20	°C/W

CONNECTION DIAGRAM (top view)

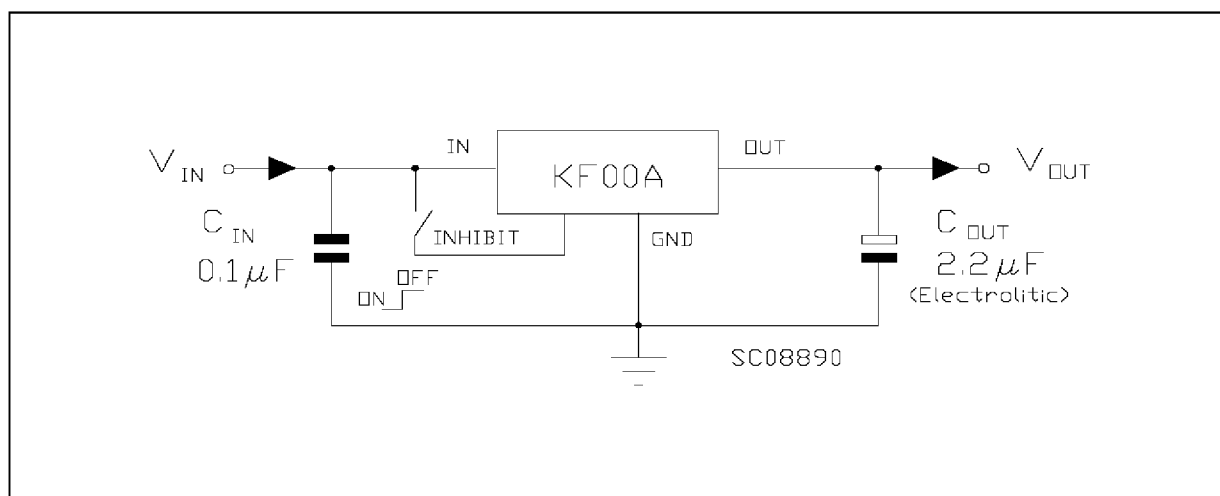


ORDERING NUMBERS

Type	SO-8	DPAK	Output Voltage
KF12 (*)	KF12BD	KF12BDT	1.25 V
KF15 (*)	KF15BD	KF15BDT	1.5 V
KF25	KF25BD	KF25BDT	2.5 V
KF27	KF27BD	KF27BDT	2.7 V
KF30	KF30BD	KF30BDT	3 V
KF33	KF33BD	KF33BDT	3.3 V
KF35 (*)	KF35BD	KF35BDT	3.5 V
KF40	KF40BD	KF40BDT	4 V
KF45 (*)	KF45BD	KF45BDT	4.5 V
KF47	KF47BD	KF47BDT	4.75 V
KF50	KF50BD	KF50BDT	5 V
KF52	KF52BD	KF52BDT	5.2 V
KF55 (*)	KF55BD	KF55BDT	5.5 V
KF60	KF60BD	KF60BDT	6 V
KF80	KF80BD	KF80BDT	8 V
KF85	KF85BD	KF85BDT	8.5V
KF120	KF120BD	KF120BDT	12 V

(*) Available on request

TEST CIRCUITS



ELECTRICAL CHARACTERISTICS FOR KF12 (refer to the test circuits, $T_j = 25\text{ }^\circ\text{C}$, $C_i = 0.1\text{ }\mu\text{F}$, $C_o = 2.2\text{ }\mu\text{F}$ unless otherwise specified)

Symbol	Parameter	Test Conditions	Min.	Typ.	Max.	Unit
V_o	Output Voltage	$I_o = 50\text{ mA}$, $V_i = 3.3\text{ V}$	1.225	1.25	1.275	V
		$I_o = 50\text{ mA}$, $V_i = 3.3\text{ V}$ $-25 < T_a < 85\text{ }^\circ\text{C}$	1.2		1.3	V
V_i	Operating Input Voltage	$I_o = 500\text{ mA}$	2.5		20	V
I_{out}	Output Current Limit			1		A
ΔV_o	Line Regulation	$V_i = 2.5\text{ to }20\text{ V}$, $I_o = 5\text{ mA}$		2	12	mV
ΔV_o	Load Regulation	$V_i = 2.8\text{ V}$, $I_o = 5\text{ to }500\text{ mA}$		2	50	mV
I_d	Quiescent Current	ON MODE		0.5	1	mA
		$V_i = 2.5\text{ to }20\text{ V}$, $I_o = 0\text{ mA}$			12	mA
		$V_i = 2.6\text{ to }20\text{ V}$, $I_o = 500\text{ mA}$				
		OFF MODE $V_i = 6\text{ V}$		50	100	μA
SVR	Supply Voltage Rejection	$I_o = 5\text{ mA}$, $V_i = 3.5\text{ V} \pm 1\text{ V}$		82		dB
		$f = 120\text{ Hz}$		77		dB
		$f = 1\text{ KHz}$		60		dB
		$f = 10\text{ KHz}$				
eN	Output Noise Voltage	$B = 10\text{ Hz to }100\text{ KHz}$		50		μV
V_d	Dropout Voltage	$I_o = 200\text{ mA}$		1.25		V
V_{il}	Control Input Logic Low	$-40 < T_a < 125\text{ }^\circ\text{C}$			0.8	V
V_{ih}	Control Input Logic High	$-40 < T_a < 125\text{ }^\circ\text{C}$	2			V
I_i	Control Input Current	$V_i = 6\text{ V}$, $V_c = 6\text{ V}$		10		μA
C_o	Output Bypass Capacitance	$\text{ESR} = 0.1\text{ to }10\text{ }\Omega$, $I_o = 0\text{ to }500\text{ mA}$	2	10		μF

ELECTRICAL CHARACTERISTICS FOR KF15 (refer to the test circuits, $T_j = 25\text{ }^\circ\text{C}$, $C_i = 0.1\text{ }\mu\text{F}$, $C_o = 2.2\text{ }\mu\text{F}$ unless otherwise specified)

Symbol	Parameter	Test Conditions	Min.	Typ.	Max.	Unit
V_o	Output Voltage	$I_o = 50\text{ mA}$, $V_i = 3.5\text{ V}$	1.47	1.5	1.53	V
		$I_o = 50\text{ mA}$, $V_i = 3.5\text{ V}$ $-25 < T_a < 85\text{ }^\circ\text{C}$	1.44		1.56	V
V_i	Operating Input Voltage	$I_o = 500\text{ mA}$	2.5		20	V
I_{out}	Output Current Limit			1		A
ΔV_o	Line Regulation	$V_i = 2.5\text{ to }20\text{ V}$, $I_o = 5\text{ mA}$		2	12	mV
ΔV_o	Load Regulation	$V_i = 2.8\text{ V}$, $I_o = 5\text{ to }500\text{ mA}$		2	50	mV
I_d	Quiescent Current	ON MODE		0.5	1	mA
		$V_i = 2.5\text{ to }20\text{ V}$, $I_o = 0\text{ mA}$			12	mA
		$V_i = 2.8\text{ to }20\text{ V}$, $I_o = 500\text{ mA}$				
		OFF MODE $V_i = 6\text{ V}$		50	100	μA
SVR	Supply Voltage Rejection	$I_o = 5\text{ mA}$, $V_i = 3.5\text{ V} \pm 1\text{ V}$		82		dB
		$f = 120\text{ Hz}$		77		dB
		$f = 1\text{ KHz}$		60		dB
		$f = 10\text{ KHz}$				
eN	Output Noise Voltage	$B = 10\text{ Hz to }100\text{ KHz}$		50		μV
V_d	Dropout Voltage	$I_o = 200\text{ mA}$		1		V
V_{il}	Control Input Logic Low	$-40 < T_a < 125\text{ }^\circ\text{C}$			0.8	V
V_{ih}	Control Input Logic High	$-40 < T_a < 125\text{ }^\circ\text{C}$	2			V
I_i	Control Input Current	$V_i = 6\text{ V}$, $V_c = 6\text{ V}$		10		μA
C_o	Output Bypass Capacitance	$\text{ESR} = 0.1\text{ to }10\text{ }\Omega$, $I_o = 0\text{ to }500\text{ mA}$	2	10		μF

ELECTRICAL CHARACTERISTICS FOR KF25 (refer to the test circuits, $T_j = 25\text{ }^\circ\text{C}$,
 $C_i = 0.1\text{ }\mu\text{F}$, $C_o = 2.2\text{ }\mu\text{F}$ unless otherwise specified)

Symbol	Parameter	Test Conditions	Min.	Typ.	Max.	Unit
V_o	Output Voltage	$I_o = 50\text{ mA}$, $V_i = 4.5\text{ V}$	2.45	2.5	2.55	V
		$I_o = 50\text{ mA}$, $V_i = 4.5\text{ V}$ $-25 < T_a < 85\text{ }^\circ\text{C}$	2.4		2.6	V
V_i	Operating Input Voltage	$I_o = 500\text{ mA}$			20	V
I_{out}	Output Current Limit			1		A
ΔV_o	Line Regulation	$V_i = 3.5\text{ to }20\text{ V}$, $I_o = 5\text{ mA}$		2	12	mV
ΔV_o	Load Regulation	$V_i = 3.8\text{ V}$, $I_o = 5\text{ to }500\text{ mA}$		2	50	mV
I_d	Quiescent Current	ON MODE		0.5	1	mA
		$V_i = 3.5\text{ to }20\text{ V}$, $I_o = 0\text{ mA}$			12	mA
		$V_i = 3.8\text{ to }20\text{ V}$, $I_o = 500\text{ mA}$				
	OFF MODE	$V_i = 6\text{ V}$		50	100	μA
SVR	Supply Voltage Rejection	$I_o = 5\text{ mA}$, $V_i = 4.5\text{ V} \pm 1\text{ V}$		82		dB
		$f = 120\text{ Hz}$		77		dB
		$f = 1\text{ KHz}$		60		dB
		$f = 10\text{ KHz}$				
eN	Output Noise Voltage	$B = 10\text{ Hz to }100\text{ KHz}$		50		μV
V_d	Dropout Voltage	$I_o = 200\text{ mA}$		0.2	0.35	V
		$I_o = 500\text{ mA}$		0.4	0.7	V
V_{il}	Control Input Logic Low	$-40 < T_a < 125\text{ }^\circ\text{C}$			0.8	V
V_{ih}	Control Input Logic High	$-40 < T_a < 125\text{ }^\circ\text{C}$	2			V
I_i	Control Input Current	$V_i = 6\text{ V}$, $V_c = 6\text{ V}$		10		μA
C_o	Output Bypass Capacitance	$\text{ESR} = 0.1\text{ to }10\text{ }\Omega$, $I_o = 0\text{ to }500\text{ mA}$	2	10		μF

ELECTRICAL CHARACTERISTICS FOR KF27 (refer to the test circuits, $T_j = 25\text{ }^\circ\text{C}$,
 $C_i = 0.1\text{ }\mu\text{F}$, $C_o = 2.2\text{ }\mu\text{F}$ unless otherwise specified)

Symbol	Parameter	Test Conditions	Min.	Typ.	Max.	Unit
V_o	Output Voltage	$I_o = 50\text{ mA}$, $V_i = 4.7\text{ V}$	2.646	2.7	2.754	V
		$I_o = 50\text{ mA}$, $V_i = 4.7\text{ V}$ $-25 < T_a < 85\text{ }^\circ\text{C}$	2.592		2.808	V
V_i	Operating Input Voltage	$I_o = 500\text{ mA}$			20	V
I_{out}	Output Current Limit			1		A
ΔV_o	Line Regulation	$V_i = 3.7\text{ to }20\text{ V}$, $I_o = 5\text{ mA}$		2	12	mV
ΔV_o	Load Regulation	$V_i = 4\text{ V}$, $I_o = 5\text{ to }500\text{ mA}$		2	50	mV
I_d	Quiescent Current	ON MODE		0.5	1	mA
		$V_i = 3.7\text{ to }20\text{ V}$, $I_o = 0\text{ mA}$			12	mA
		$V_i = 4\text{ to }20\text{ V}$, $I_o = 500\text{ mA}$				
	OFF MODE	$V_i = 6\text{ V}$		50	100	μA
SVR	Supply Voltage Rejection	$I_o = 5\text{ mA}$, $V_i = 4.7\text{ V} \pm 1\text{ V}$		82		dB
		$f = 120\text{ Hz}$		77		dB
		$f = 1\text{ KHz}$		60		dB
		$f = 10\text{ KHz}$				
eN	Output Noise Voltage	$B = 10\text{ Hz to }100\text{ KHz}$		50		μV
V_d	Dropout Voltage	$I_o = 200\text{ mA}$		0.2	0.35	V
		$I_o = 500\text{ mA}$		0.4	0.7	V
V_{il}	Control Input Logic Low	$-40 < T_a < 125\text{ }^\circ\text{C}$			0.8	V
V_{ih}	Control Input Logic High	$-40 < T_a < 125\text{ }^\circ\text{C}$	2			V
I_i	Control Input Current	$V_i = 6\text{ V}$, $V_c = 6\text{ V}$		10		μA
C_o	Output Bypass Capacitance	$\text{ESR} = 0.1\text{ to }10\text{ }\Omega$, $I_o = 0\text{ to }500\text{ mA}$	2	10		μF

ELECTRICAL CHARACTERISTICS FOR KF30 (refer to the test circuits, $T_j = 25\text{ }^\circ\text{C}$, $C_i = 0.1\text{ }\mu\text{F}$, $C_o = 2.2\text{ }\mu\text{F}$ unless otherwise specified)

Symbol	Parameter	Test Conditions	Min.	Typ.	Max.	Unit	
V_o	Output Voltage	$I_o = 50\text{ mA}$, $V_i = 5\text{ V}$	2.94	3	3.06	V	
		$I_o = 50\text{ mA}$, $V_i = 5\text{ V}$ $-25 < T_a < 85\text{ }^\circ\text{C}$	2.88		3.12	V	
V_i	Operating Input Voltage	$I_o = 500\text{ mA}$			20	V	
I_{out}	Output Current Limit			1		A	
ΔV_o	Line Regulation	$V_i = 4\text{ to }20\text{ V}$, $I_o = 5\text{ mA}$		2	12	mV	
ΔV_o	Load Regulation	$V_i = 4.3\text{ V}$, $I_o = 5\text{ to }500\text{ mA}$		2	50	mV	
I_d	Quiescent Current	ON MODE $V_i = 4\text{ to }20\text{ V}$ $I_o = 0\text{ mA}$ $V_i = 4.3\text{ to }20\text{ V}$ $I_o = 500\text{ mA}$		0.5	1 12	mA mA	
		OFF MODE $V_i = 6\text{ V}$		50	100	μA	
SVR	Supply Voltage Rejection	$I_o = 5\text{ mA}$ $V_i = 5\text{ V} \pm 1\text{ V}$ $f = 120\text{ Hz}$ $f = 1\text{ KHz}$ $f = 10\text{ KHz}$		81		dB	
					76		dB
					60		dB
eN	Output Noise Voltage	$B = 10\text{ Hz to }100\text{ KHz}$		50		μV	
V_d	Dropout Voltage	$I_o = 200\text{ mA}$ $I_o = 500\text{ mA}$		0.2	0.35	V	
				0.4	0.7	V	
V_{il}	Control Input Logic Low	$-40 < T_a < 125\text{ }^\circ\text{C}$			0.8	V	
V_{ih}	Control Input Logic High	$-40 < T_a < 125\text{ }^\circ\text{C}$	2			V	
I_i	Control Input Current	$V_i = 6\text{ V}$, $V_c = 6\text{ V}$		10		μA	
C_o	Output Bypass Capacitance	$\text{ESR} = 0.1\text{ to }10\text{ }\Omega$ $I_o = 0\text{ to }500\text{ mA}$	2	10		μF	

ELECTRICAL CHARACTERISTICS FOR KF33 (refer to the test circuits, $T_j = 25\text{ }^\circ\text{C}$, $C_i = 0.1\text{ }\mu\text{F}$, $C_o = 2.2\text{ }\mu\text{F}$ unless otherwise specified)

Symbol	Parameter	Test Conditions	Min.	Typ.	Max.	Unit	
V_o	Output Voltage	$I_o = 50\text{ mA}$, $V_i = 5.3\text{ V}$	3.234	3.3	3.366	V	
		$I_o = 50\text{ mA}$, $V_i = 5.3\text{ V}$ $-25 < T_a < 85\text{ }^\circ\text{C}$	3.168		3.432	V	
V_i	Operating Input Voltage	$I_o = 500\text{ mA}$			20	V	
I_{out}	Output Current Limit			1		A	
ΔV_o	Line Regulation	$V_i = 4.3\text{ to }20\text{ V}$, $I_o = 5\text{ mA}$		2	12	mV	
ΔV_o	Load Regulation	$V_i = 4.6\text{ V}$, $I_o = 5\text{ to }500\text{ mA}$		2	50	mV	
I_d	Quiescent Current	ON MODE $V_i = 4.3\text{ to }20\text{ V}$ $I_o = 0\text{ mA}$ $V_i = 4.6\text{ to }20\text{ V}$ $I_o = 500\text{ mA}$		0.5	1 12	mA mA	
		OFF MODE $V_i = 6\text{ V}$		50	100	μA	
SVR	Supply Voltage Rejection	$I_o = 5\text{ mA}$ $V_i = 5.3\text{ V} \pm 1\text{ V}$ $f = 120\text{ Hz}$ $f = 1\text{ KHz}$ $f = 10\text{ KHz}$		80		dB	
					75		dB
					60		dB
eN	Output Noise Voltage	$B = 10\text{ Hz to }100\text{ KHz}$		50		μV	
V_d	Dropout Voltage	$I_o = 200\text{ mA}$ $I_o = 500\text{ mA}$		0.2	0.35	V	
				0.4	0.7	V	
V_{il}	Control Input Logic Low	$-40 < T_a < 125\text{ }^\circ\text{C}$			0.8	V	
V_{ih}	Control Input Logic High	$-40 < T_a < 125\text{ }^\circ\text{C}$	2			V	
I_i	Control Input Current	$V_i = 6\text{ V}$, $V_c = 6\text{ V}$		10		μA	
C_o	Output Bypass Capacitance	$\text{ESR} = 0.1\text{ to }10\text{ }\Omega$ $I_o = 0\text{ to }500\text{ mA}$	2	10		μF	

ELECTRICAL CHARACTERISTICS FOR KF35 (refer to the test circuits, $T_j = 25\text{ }^\circ\text{C}$,
 $C_i = 0.1\text{ }\mu\text{F}$, $C_o = 2.2\text{ }\mu\text{F}$ unless otherwise specified)

Symbol	Parameter	Test Conditions	Min.	Typ.	Max.	Unit
V_o	Output Voltage	$I_o = 50\text{ mA}$, $V_i = 5.5\text{ V}$	3.43	3.5	3.57	V
		$I_o = 50\text{ mA}$, $V_i = 5.5\text{ V}$ $-25 < T_a < 85\text{ }^\circ\text{C}$	3.36		3.64	V
V_i	Operating Input Voltage	$I_o = 500\text{ mA}$			20	V
I_{out}	Output Current Limit			1		A
ΔV_o	Line Regulation	$V_i = 4.5\text{ to }20\text{ V}$, $I_o = 5\text{ mA}$		2	12	mV
ΔV_o	Load Regulation	$V_i = 4.8\text{ V}$, $I_o = 5\text{ to }500\text{ mA}$		2	50	mV
I_d	Quiescent Current	ON MODE		0.5	1	mA
		$V_i = 4.5\text{ to }20\text{ V}$, $I_o = 0\text{ mA}$			12	mA
		$V_i = 4.8\text{ to }20\text{ V}$, $I_o = 500\text{ mA}$				
	OFF MODE	$V_i = 6\text{ V}$		50	100	μA
SVR	Supply Voltage Rejection	$I_o = 5\text{ mA}$, $V_i = 5.5\text{ V} \pm 1\text{ V}$		79		dB
		$f = 120\text{ Hz}$		74		dB
		$f = 1\text{ KHz}$		60		dB
		$f = 10\text{ KHz}$				
eN	Output Noise Voltage	$B = 10\text{ Hz to }100\text{ KHz}$		50		μV
V_d	Dropout Voltage	$I_o = 200\text{ mA}$		0.2	0.35	V
		$I_o = 500\text{ mA}$		0.4	0.7	V
V_{il}	Control Input Logic Low	$-40 < T_a < 125\text{ }^\circ\text{C}$			0.8	V
V_{ih}	Control Input Logic High	$-40 < T_a < 125\text{ }^\circ\text{C}$	2			V
I_i	Control Input Current	$V_i = 6\text{ V}$, $V_c = 6\text{ V}$		10		μA
C_o	Output Bypass Capacitance	$\text{ESR} = 0.1\text{ to }10\text{ }\Omega$, $I_o = 0\text{ to }500\text{ mA}$	2	10		μF

ELECTRICAL CHARACTERISTICS FOR KF40 (refer to the test circuits, $T_j = 25\text{ }^\circ\text{C}$,
 $C_i = 0.1\text{ }\mu\text{F}$, $C_o = 2.2\text{ }\mu\text{F}$ unless otherwise specified)

Symbol	Parameter	Test Conditions	Min.	Typ.	Max.	Unit
V_o	Output Voltage	$I_o = 50\text{ mA}$, $V_i = 6\text{ V}$	3.92	4	4.08	V
		$I_o = 50\text{ mA}$, $V_i = 6\text{ V}$ $-25 < T_a < 85\text{ }^\circ\text{C}$	3.84		4.16	V
V_i	Operating Input Voltage	$I_o = 500\text{ mA}$			20	V
I_{out}	Output Current Limit			1		A
ΔV_o	Line Regulation	$V_i = 5\text{ to }20\text{ V}$, $I_o = 5\text{ mA}$		3	18	mV
ΔV_o	Load Regulation	$V_i = 5.3\text{ V}$, $I_o = 5\text{ to }500\text{ mA}$		2	50	mV
I_d	Quiescent Current	ON MODE		0.5	1	mA
		$V_i = 5\text{ to }20\text{ V}$, $I_o = 0\text{ mA}$			12	mA
		$V_i = 5.3\text{ to }20\text{ V}$, $I_o = 500\text{ mA}$				
	OFF MODE	$V_i = 6\text{ V}$		50	100	μA
SVR	Supply Voltage Rejection	$I_o = 5\text{ mA}$, $V_i = 6\text{ V} \pm 1\text{ V}$		78		dB
		$f = 120\text{ Hz}$		73		dB
		$f = 1\text{ KHz}$		60		dB
		$f = 10\text{ KHz}$				
eN	Output Noise Voltage	$B = 10\text{ Hz to }100\text{ KHz}$		50		μV
V_d	Dropout Voltage	$I_o = 200\text{ mA}$		0.2	0.35	V
		$I_o = 500\text{ mA}$		0.4	0.7	V
V_{il}	Control Input Logic Low	$-40 < T_a < 125\text{ }^\circ\text{C}$			0.8	V
V_{ih}	Control Input Logic High	$-40 < T_a < 125\text{ }^\circ\text{C}$	2			V
I_i	Control Input Current	$V_i = 6\text{ V}$, $V_c = 6\text{ V}$		10		μA
C_o	Output Bypass Capacitance	$\text{ESR} = 0.1\text{ to }10\text{ }\Omega$, $I_o = 0\text{ to }500\text{ mA}$	2	10		μF

ELECTRICAL CHARACTERISTICS FOR KF45 (refer to the test circuits, $T_j = 25\text{ }^\circ\text{C}$,
 $C_i = 0.1\text{ }\mu\text{F}$, $C_o = 2.2\text{ }\mu\text{F}$ unless otherwise specified)

Symbol	Parameter	Test Conditions	Min.	Typ.	Max.	Unit	
V_o	Output Voltage	$I_o = 50\text{ mA}$, $V_i = 6.5\text{ V}$	4.41	4.5	4.59	V	
		$I_o = 50\text{ mA}$, $V_i = 6.5\text{ V}$ $-25 < T_a < 85\text{ }^\circ\text{C}$	4.32		4.68	V	
V_i	Operating Input Voltage	$I_o = 500\text{ mA}$			20	V	
I_{out}	Output Current Limit			1		A	
ΔV_o	Line Regulation	$V_i = 5.5\text{ to }20\text{ V}$, $I_o = 5\text{ mA}$		3	18	mV	
ΔV_o	Load Regulation	$V_i = 5.8\text{ V}$, $I_o = 5\text{ to }500\text{ mA}$		2	50	mV	
I_d	Quiescent Current	ON MODE		0.5	1	mA	
		$V_i = 5.5\text{ to }20\text{ V}$, $I_o = 0\text{ mA}$			12	mA	
		$V_i = 5.8\text{ to }20\text{ V}$, $I_o = 500\text{ mA}$		50	100	μA	
SVR	Supply Voltage Rejection	$I_o = 5\text{ mA}$, $V_i = 6.5\text{ V} \pm 1\text{ V}$ $f = 120\text{ Hz}$ $f = 1\text{ KHz}$ $f = 10\text{ KHz}$		77		dB	
					72		dB
					60		dB
eN	Output Noise Voltage	$B = 10\text{ Hz to }100\text{ KHz}$		50		μV	
V_d	Dropout Voltage	$I_o = 200\text{ mA}$		0.2	0.35	V	
		$I_o = 500\text{ mA}$		0.4	0.7	V	
V_{il}	Control Input Logic Low	$-40 < T_a < 125\text{ }^\circ\text{C}$			0.8	V	
V_{ih}	Control Input Logic High	$-40 < T_a < 125\text{ }^\circ\text{C}$	2			V	
I_i	Control Input Current	$V_i = 6\text{ V}$, $V_c = 6\text{ V}$		10		μA	
C_o	Output Bypass Capacitance	$\text{ESR} = 0.1\text{ to }10\text{ }\Omega$, $I_o = 0\text{ to }500\text{ mA}$	2	10		μF	

ELECTRICAL CHARACTERISTICS FOR KF47 (refer to the test circuits, $T_j = 25\text{ }^\circ\text{C}$,
 $C_i = 0.1\text{ }\mu\text{F}$, $C_o = 2.2\text{ }\mu\text{F}$ unless otherwise specified)

Symbol	Parameter	Test Conditions	Min.	Typ.	Max.	Unit	
V_o	Output Voltage	$I_o = 50\text{ mA}$, $V_i = 6.7\text{ V}$	4.606	4.7	4.794	V	
		$I_o = 50\text{ mA}$, $V_i = 6.7\text{ V}$ $-25 < T_a < 85\text{ }^\circ\text{C}$	4.512		4.888	V	
V_i	Operating Input Voltage	$I_o = 500\text{ mA}$			20	V	
I_{out}	Output Current Limit			1		A	
ΔV_o	Line Regulation	$V_i = 5.7\text{ to }20\text{ V}$, $I_o = 5\text{ mA}$		3	18	mV	
ΔV_o	Load Regulation	$V_i = 6\text{ V}$, $I_o = 5\text{ to }500\text{ mA}$		2	50	mV	
I_d	Quiescent Current	ON MODE		0.5	1	mA	
		$V_i = 5.7\text{ to }20\text{ V}$, $I_o = 0\text{ mA}$			12	mA	
		$V_i = 6\text{ to }20\text{ V}$, $I_o = 500\text{ mA}$		50	100	μA	
SVR	Supply Voltage Rejection	$I_o = 5\text{ mA}$, $V_i = 6.7\text{ V} \pm 1\text{ V}$ $f = 120\text{ Hz}$ $f = 1\text{ KHz}$ $f = 10\text{ KHz}$		77		dB	
					72		dB
					60		dB
eN	Output Noise Voltage	$B = 10\text{ Hz to }100\text{ KHz}$		50		μV	
V_d	Dropout Voltage	$I_o = 200\text{ mA}$		0.2	0.35	V	
		$I_o = 500\text{ mA}$		0.4	0.7	V	
V_{il}	Control Input Logic Low	$-40 < T_a < 125\text{ }^\circ\text{C}$			0.8	V	
V_{ih}	Control Input Logic High	$-40 < T_a < 125\text{ }^\circ\text{C}$	2			V	
I_i	Control Input Current	$V_i = 6\text{ V}$, $V_c = 6\text{ V}$		10		μA	
C_o	Output Bypass Capacitance	$\text{ESR} = 0.1\text{ to }10\text{ }\Omega$, $I_o = 0\text{ to }500\text{ mA}$	2	10		μF	

ELECTRICAL CHARACTERISTICS FOR KF50 (refer to the test circuits, $T_j = 25\text{ }^\circ\text{C}$,
 $C_i = 0.1\text{ }\mu\text{F}$, $C_o = 2.2\text{ }\mu\text{F}$ unless otherwise specified)

Symbol	Parameter	Test Conditions	Min.	Typ.	Max.	Unit	
V_o	Output Voltage	$I_o = 50\text{ mA}$, $V_i = 7\text{ V}$	4.9	5	5.1	V	
		$I_o = 50\text{ mA}$, $V_i = 7\text{ V}$ $-25 < T_a < 85\text{ }^\circ\text{C}$	4.8		5.2	V	
V_i	Operating Input Voltage	$I_o = 500\text{ mA}$			20	V	
I_{out}	Output Current Limit			1		A	
ΔV_o	Line Regulation	$V_i = 6\text{ to }20\text{ V}$, $I_o = 5\text{ mA}$		3	18	mV	
ΔV_o	Load Regulation	$V_i = 6.3\text{ V}$, $I_o = 5\text{ to }500\text{ mA}$		2	50	mV	
I_d	Quiescent Current	ON MODE $V_i = 6\text{ to }20\text{ V}$ $I_o = 0\text{ mA}$ $V_i = 6.3\text{ to }20\text{ V}$ $I_o = 500\text{ mA}$		0.5	1	mA	
					12	mA	
		OFF MODE $V_i = 6\text{ V}$		50	100	μA	
SVR	Supply Voltage Rejection	$I_o = 5\text{ mA}$ $V_i = 7\text{ V} \pm 1\text{ V}$ $f = 120\text{ Hz}$ $f = 1\text{ KHz}$ $f = 10\text{ KHz}$		76		dB	
					71		dB
					60		dB
eN	Output Noise Voltage	$B = 10\text{ Hz to }100\text{ KHz}$		50		μV	
V_d	Dropout Voltage	$I_o = 200\text{ mA}$		0.2	0.35	V	
		$I_o = 500\text{ mA}$		0.4	0.7	V	
V_{il}	Control Input Logic Low	$-40 < T_a < 125\text{ }^\circ\text{C}$			0.8	V	
V_{ih}	Control Input Logic High	$-40 < T_a < 125\text{ }^\circ\text{C}$	2			V	
I_i	Control Input Current	$V_i = 6\text{ V}$, $V_c = 6\text{ V}$		10		μA	
C_o	Output Bypass Capacitance	$\text{ESR} = 0.1\text{ to }10\text{ }\Omega$ $I_o = 0\text{ to }500\text{ mA}$	2	10		μF	

ELECTRICAL CHARACTERISTICS FOR KF52 (refer to the test circuits, $T_j = 25\text{ }^\circ\text{C}$,
 $C_i = 0.1\text{ }\mu\text{F}$, $C_o = 2.2\text{ }\mu\text{F}$ unless otherwise specified)

Symbol	Parameter	Test Conditions	Min.	Typ.	Max.	Unit	
V_o	Output Voltage	$I_o = 50\text{ mA}$, $V_i = 7.2\text{ V}$	5.096	5.2	5.304	V	
		$I_o = 50\text{ mA}$, $V_i = 7.2\text{ V}$ $-25 < T_a < 85\text{ }^\circ\text{C}$	4.992		5.408	V	
V_i	Operating Input Voltage	$I_o = 500\text{ mA}$			20	V	
I_{out}	Output Current Limit			1		A	
ΔV_o	Line Regulation	$V_i = 6.2\text{ to }20\text{ V}$, $I_o = 5\text{ mA}$		3	18	mV	
ΔV_o	Load Regulation	$V_i = 6.5\text{ V}$, $I_o = 5\text{ to }500\text{ mA}$		2	50	mV	
I_d	Quiescent Current	ON MODE $V_i = 6.2\text{ to }20\text{ V}$ $I_o = 0\text{ mA}$ $V_i = 6.5\text{ to }20\text{ V}$ $I_o = 500\text{ mA}$		0.5	1	mA	
					12	mA	
		OFF MODE $V_i = 6\text{ V}$		50	100	μA	
SVR	Supply Voltage Rejection	$I_o = 5\text{ mA}$ $V_i = 7.2\text{ V} \pm 1\text{ V}$ $f = 120\text{ Hz}$ $f = 1\text{ KHz}$ $f = 10\text{ KHz}$		76		dB	
					71		dB
					60		dB
eN	Output Noise Voltage	$B = 10\text{ Hz to }100\text{ KHz}$		50		μV	
V_d	Dropout Voltage	$I_o = 200\text{ mA}$		0.2	0.35	V	
		$I_o = 500\text{ mA}$		0.4	0.7	V	
V_{il}	Control Input Logic Low	$-40 < T_a < 125\text{ }^\circ\text{C}$			0.8	V	
V_{ih}	Control Input Logic High	$-40 < T_a < 125\text{ }^\circ\text{C}$	2			V	
I_i	Control Input Current	$V_i = 6\text{ V}$, $V_c = 6\text{ V}$		10		μA	
C_o	Output Bypass Capacitance	$\text{ESR} = 0.1\text{ to }10\text{ }\Omega$ $I_o = 0\text{ to }500\text{ mA}$	2	10		μF	

ELECTRICAL CHARACTERISTICS FOR KF55 (refer to the test circuits, $T_j = 25\text{ }^\circ\text{C}$,
 $C_i = 0.1\text{ }\mu\text{F}$, $C_o = 2.2\text{ }\mu\text{F}$ unless otherwise specified)

Symbol	Parameter	Test Conditions	Min.	Typ.	Max.	Unit
V_o	Output Voltage	$I_o = 50\text{ mA}$, $V_i = 7.5\text{ V}$	5.39	5.5	5.61	V
		$I_o = 50\text{ mA}$, $V_i = 7.5\text{ V}$ $-25 < T_a < 85\text{ }^\circ\text{C}$	5.28		5.72	V
V_i	Operating Input Voltage	$I_o = 500\text{ mA}$			20	V
I_{out}	Output Current Limit			1		A
ΔV_o	Line Regulation	$V_i = 6.5\text{ to }20\text{ V}$, $I_o = 5\text{ mA}$		3	18	mV
ΔV_o	Load Regulation	$V_i = 6.8\text{ V}$, $I_o = 5\text{ to }500\text{ mA}$		2	50	mV
I_d	Quiescent Current	ON MODE		0.5	1	mA
		$V_i = 6.5\text{ to }20\text{ V}$, $I_o = 0\text{ mA}$			12	mA
		$V_i = 6.8\text{ to }20\text{ V}$, $I_o = 500\text{ mA}$				
	OFF MODE $V_i = 6\text{ V}$		50	100		μA
SVR	Supply Voltage Rejection	$I_o = 5\text{ mA}$, $V_i = 7.5\text{ V} \pm 1\text{ V}$		76		dB
		$f = 120\text{ Hz}$		71		dB
		$f = 1\text{ KHz}$		60		dB
		$f = 10\text{ KHz}$				
eN	Output Noise Voltage	$B = 10\text{ Hz to }100\text{ KHz}$		50		μV
V_d	Dropout Voltage	$I_o = 200\text{ mA}$		0.2	0.35	V
		$I_o = 500\text{ mA}$		0.4	0.7	V
V_{il}	Control Input Logic Low	$-40 < T_a < 125\text{ }^\circ\text{C}$			0.8	V
V_{ih}	Control Input Logic High	$-40 < T_a < 125\text{ }^\circ\text{C}$	2			V
I_i	Control Input Current	$V_i = 6\text{ V}$, $V_c = 6\text{ V}$		10		μA
C_o	Output Bypass Capacitance	$\text{ESR} = 0.1\text{ to }10\text{ }\Omega$, $I_o = 0\text{ to }500\text{ mA}$	2	10		μF

ELECTRICAL CHARACTERISTICS FOR KF60 (refer to the test circuits, $T_j = 25\text{ }^\circ\text{C}$,
 $C_i = 0.1\text{ }\mu\text{F}$, $C_o = 2.2\text{ }\mu\text{F}$ unless otherwise specified)

Symbol	Parameter	Test Conditions	Min.	Typ.	Max.	Unit
V_o	Output Voltage	$I_o = 50\text{ mA}$, $V_i = 8\text{ V}$	5.88	6	6.12	V
		$I_o = 50\text{ mA}$, $V_i = 8\text{ V}$ $-25 < T_a < 85\text{ }^\circ\text{C}$	5.76		6.24	V
V_i	Operating Input Voltage	$I_o = 500\text{ mA}$			20	V
I_{out}	Output Current Limit			1		A
ΔV_o	Line Regulation	$V_i = 7\text{ to }20\text{ V}$, $I_o = 5\text{ mA}$		4	24	mV
ΔV_o	Load Regulation	$V_i = 7.3\text{ V}$, $I_o = 5\text{ to }500\text{ mA}$		2	50	mV
I_d	Quiescent Current	ON MODE		0.7	1.5	mA
		$V_i = 7\text{ to }20\text{ V}$, $I_o = 0\text{ mA}$			12	mA
		$V_i = 7.3\text{ to }20\text{ V}$, $I_o = 500\text{ mA}$				
	OFF MODE $V_i = 9\text{ V}$		70	140		μA
SVR	Supply Voltage Rejection	$I_o = 5\text{ mA}$, $V_i = 8\text{ V} \pm 1\text{ V}$		75		dB
		$f = 120\text{ Hz}$		70		dB
		$f = 1\text{ KHz}$		60		dB
		$f = 10\text{ KHz}$				
eN	Output Noise Voltage	$B = 10\text{ Hz to }100\text{ KHz}$		50		μV
V_d	Dropout Voltage	$I_o = 200\text{ mA}$		0.2	0.35	V
		$I_o = 500\text{ mA}$		0.4	0.7	V
V_{il}	Control Input Logic Low	$-40 < T_a < 125\text{ }^\circ\text{C}$			0.8	V
V_{ih}	Control Input Logic High	$-40 < T_a < 125\text{ }^\circ\text{C}$	2			V
I_i	Control Input Current	$V_i = 9\text{ V}$, $V_c = 6\text{ V}$		10		μA
C_o	Output Bypass Capacitance	$\text{ESR} = 0.1\text{ to }10\text{ }\Omega$, $I_o = 0\text{ to }500\text{ mA}$	2	10		μF

ELECTRICAL CHARACTERISTICS FOR KF80B (refer to the test circuits, $T_j = 25\text{ }^\circ\text{C}$,
 $C_i = 0.1\text{ }\mu\text{F}$, $C_o = 2.2\text{ }\mu\text{F}$ unless otherwise specified)

Symbol	Parameter	Test Conditions	Min.	Typ.	Max.	Unit
V_o	Output Voltage	$I_o = 50\text{ mA}$, $V_i = 10\text{ V}$	7.84	8	8.16	V
		$I_o = 50\text{ mA}$, $V_i = 10\text{ V}$ $-25 < T_a < 85\text{ }^\circ\text{C}$	7.68		8.32	V
V_i	Operating Input Voltage	$I_o = 500\text{ mA}$			20	V
I_{out}	Output Current Limit			1		A
ΔV_o	Line Regulation	$V_i = 9\text{ to }20\text{ V}$, $I_o = 5\text{ mA}$		4	24	mV
ΔV_o	Load Regulation	$V_i = 9.3\text{ V}$, $I_o = 5\text{ to }500\text{ mA}$		2	50	mV
I_d	Quiescent Current	ON MODE		0.7	1.5	mA
		$V_i = 9\text{ to }20\text{ V}$, $I_o = 0\text{ mA}$			12	mA
		$V_i = 9.3\text{ to }20\text{ V}$, $I_o = 500\text{ mA}$		70	140	μA
SVR	Supply Voltage Rejection	$I_o = 5\text{ mA}$, $V_i = 10\text{ V} \pm 1\text{ V}$		72		dB
		$f = 120\text{ Hz}$		67		dB
		$f = 1\text{ KHz}$		60		dB
		$f = 10\text{ KHz}$				
eN	Output Noise Voltage	$B = 10\text{ Hz to }100\text{ KHz}$		50		μV
V_d	Dropout Voltage	$I_o = 200\text{ mA}$		0.2	0.35	V
		$I_o = 500\text{ mA}$		0.4	0.7	V
V_{il}	Control Input Logic Low	$-40 < T_a < 125\text{ }^\circ\text{C}$			0.8	V
V_{ih}	Control Input Logic High	$-40 < T_a < 125\text{ }^\circ\text{C}$	2			V
I_i	Control Input Current	$V_i = 9\text{ V}$, $V_c = 6\text{ V}$		10		μA
C_o	Output Bypass Capacitance	$\text{ESR} = 0.1\text{ to }10\text{ }\Omega$, $I_o = 0\text{ to }500\text{ mA}$	2	10		μF

ELECTRICAL CHARACTERISTICS FOR KF85B (refer to the test circuits, $T_j = 25\text{ }^\circ\text{C}$,
 $C_i = 0.1\text{ }\mu\text{F}$, $C_o = 2.2\text{ }\mu\text{F}$ unless otherwise specified)

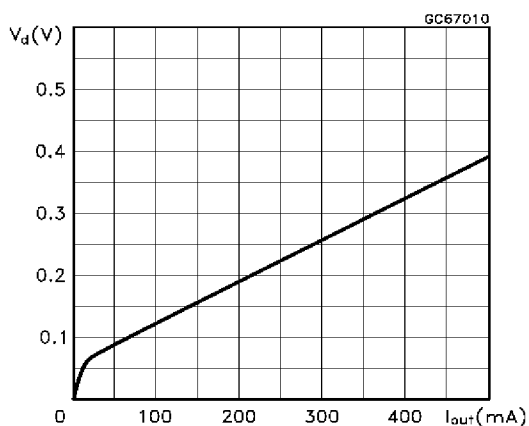
Symbol	Parameter	Test Conditions	Min.	Typ.	Max.	Unit
V_o	Output Voltage	$I_o = 50\text{ mA}$, $V_i = 10.5\text{ V}$	8.33	8.5	8.67	V
		$I_o = 50\text{ mA}$, $V_i = 10.5\text{ V}$ $-25 < T_a < 85\text{ }^\circ\text{C}$	8.16		8.84	V
V_i	Operating Input Voltage	$I_o = 500\text{ mA}$			20	V
I_{out}	Output Current Limit			1		A
ΔV_o	Line Regulation	$V_i = 9.5\text{ to }20\text{ V}$, $I_o = 5\text{ mA}$		4	24	mV
ΔV_o	Load Regulation	$V_i = 9.8\text{ V}$, $I_o = 5\text{ to }500\text{ mA}$		2	50	mV
I_d	Quiescent Current	ON MODE		0.7	1.5	mA
		$V_i = 9.5\text{ to }20\text{ V}$, $I_o = 0\text{ mA}$			12	mA
		$V_i = 9.8\text{ to }20\text{ V}$, $I_o = 500\text{ mA}$		70	140	μA
SVR	Supply Voltage Rejection	$I_o = 5\text{ mA}$, $V_i = 10.5\text{ V} \pm 1\text{ V}$		67		dB
		$f = 120\text{ Hz}$		63		dB
		$f = 1\text{ KHz}$		53		dB
		$f = 10\text{ KHz}$				
eN	Output Noise Voltage	$B = 10\text{ Hz to }100\text{ KHz}$		50		μV
V_d	Dropout Voltage	$I_o = 200\text{ mA}$		0.2	0.35	V
		$I_o = 500\text{ mA}$		0.4	0.7	V
V_{il}	Control Input Logic Low	$-40 < T_a < 125\text{ }^\circ\text{C}$			0.8	V
V_{ih}	Control Input Logic High	$-40 < T_a < 125\text{ }^\circ\text{C}$	2			V
I_i	Control Input Current	$V_i = 10\text{ V}$, $V_c = 6\text{ V}$		10		μA
C_o	Output Bypass Capacitance	$\text{ESR} = 0.1\text{ to }10\text{ }\Omega$, $I_o = 0\text{ to }500\text{ mA}$	2	10		μF

ELECTRICAL CHARACTERISTICS FOR KF120B (refer to the test circuits, $T_j = 25\text{ }^\circ\text{C}$,
 $C_i = 0.1\text{ }\mu\text{F}$, $C_o = 2.2\text{ }\mu\text{F}$ unless otherwise specified)

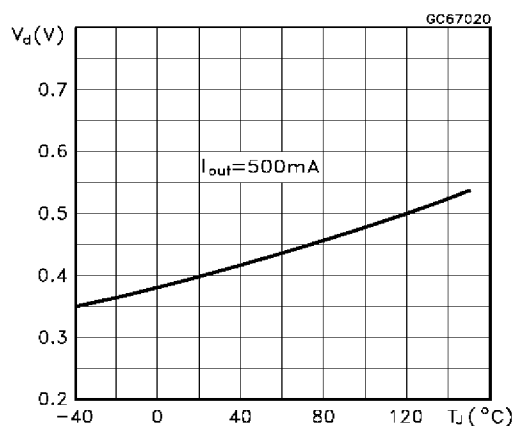
Symbol	Parameter	Test Conditions	Min.	Typ.	Max.	Unit
V_o	Output Voltage	$I_o = 50\text{ mA}$, $V_i = 14\text{ V}$	11.76	12	12.24	V
		$I_o = 50\text{ mA}$, $V_i = 14\text{ V}$ $-25 < T_a < 85\text{ }^\circ\text{C}$	11.52		12.48	V
V_i	Operating Input Voltage	$I_o = 500\text{ mA}$			20	V
I_{out}	Output Current Limit			1		A
ΔV_o	Line Regulation	$V_i = 13\text{ to }20\text{ V}$, $I_o = 5\text{ mA}$		8	48	mV
ΔV_o	Load Regulation	$V_i = 13.3\text{ V}$, $I_o = 5\text{ to }500\text{ mA}$		2	50	mV
I_d	Quiescent Current	ON MODE		0.7	1.5	mA
		$V_i = 13\text{ to }20\text{ V}$, $I_o = 0\text{ mA}$			12	mA
		$V_i = 13.3\text{ to }20\text{ V}$, $I_o = 500\text{ mA}$				
		OFF MODE $V_i = 13\text{ V}$		70	140	μA
SVR	Supply Voltage Rejection	$I_o = 5\text{ mA}$, $V_i = 14\text{ V} \pm 1\text{V}$		69		dB
		$f = 120\text{ Hz}$		64		dB
		$f = 1\text{ KHz}$		54		dB
		$f = 10\text{ KHz}$				
eN	Output Noise Voltage	$B = 10\text{ Hz to }100\text{ KHz}$		50		μV
V_d	Dropout Voltage	$I_o = 200\text{ mA}$		0.2	0.35	V
		$I_o = 500\text{ mA}$		0.4	0.7	V
V_{il}	Control Input Logic Low	$-40 < T_a < 125\text{ }^\circ\text{C}$			0.8	V
V_{ih}	Control Input Logic High	$-40 < T_a < 125\text{ }^\circ\text{C}$	2			V
I_i	Control Input Current	$V_i = 13\text{ V}$, $V_c = 6\text{ V}$		10		μA
C_o	Output Bypass Capacitance	$\text{ESR} = 0.1\text{ to }10\text{ }\Omega$, $I_o = 0\text{ to }500\text{ mA}$	2	10		μF

TYPICAL PERFORMANCE CHARACTERISTICS (unless otherwise specified $V_{o(NOM)} = 3.3V$)

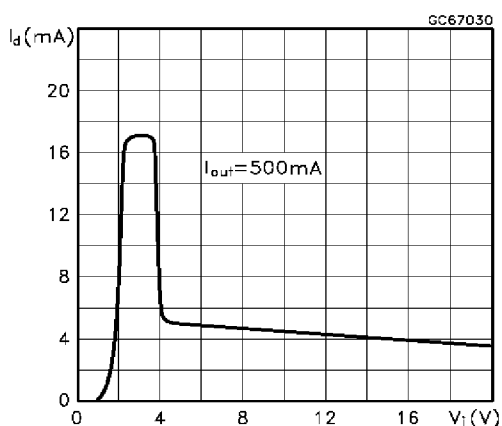
Dropout Voltage vs Output Current



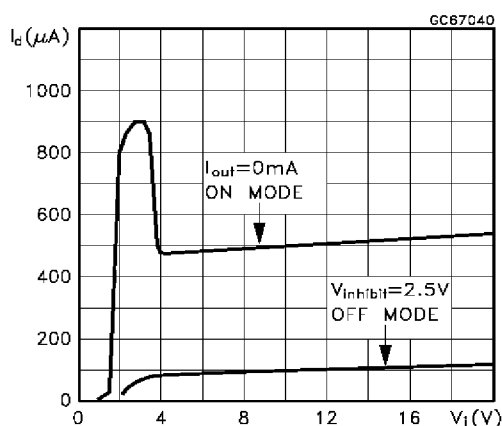
Dropout Voltage vs Temperature



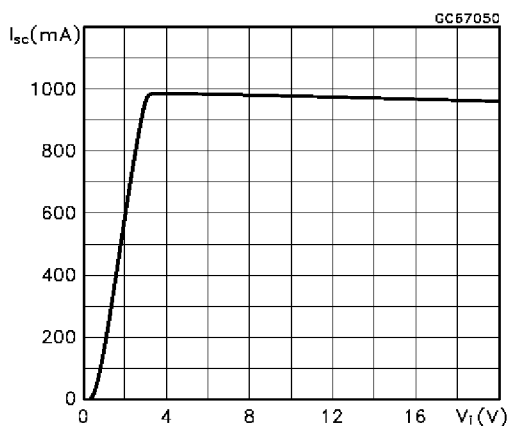
Supply Current vs Input Voltage



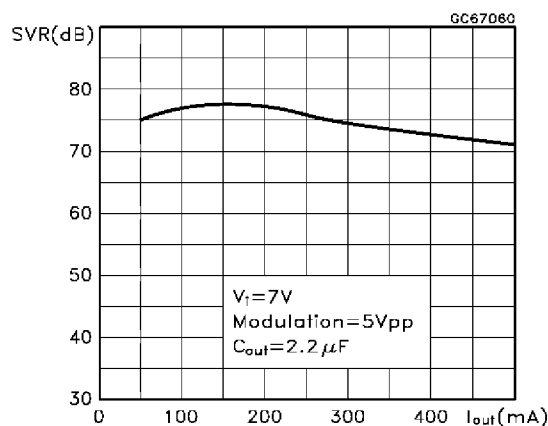
Supply Current vs Input Voltage



Short Circuit Current vs Input Voltage

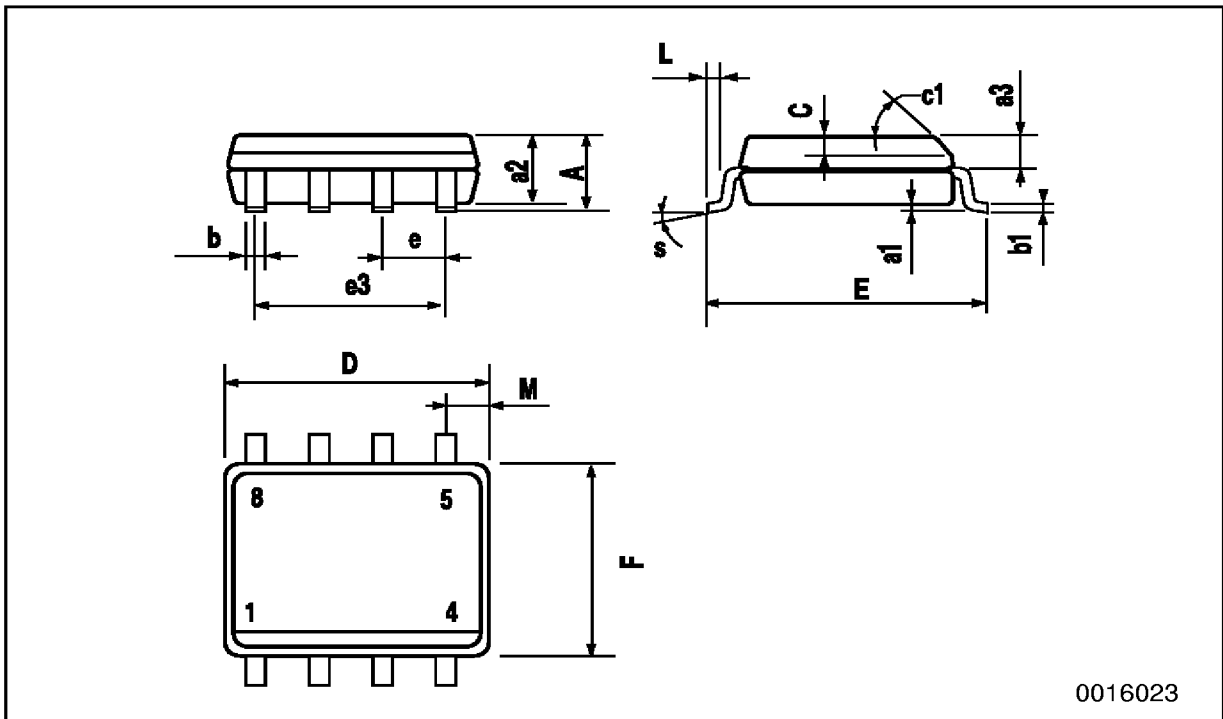


Supply Voltage Rejection vs Input Voltage



SO-8 MECHANICAL DATA

DIM.	mm			inch		
	MIN.	TYP.	MAX.	MIN.	TYP.	MAX.
A			1.75			0.068
a1	0.1		0.25	0.003		0.009
a2			1.65			0.064
a3	0.65		0.85	0.025		0.033
b	0.35		0.48	0.013		0.018
b1	0.19		0.25	0.007		0.010
C	0.25		0.5	0.010		0.019
c1	45 (typ.)					
D	4.8		5.0	0.188		0.196
E	5.8		6.2	0.228		0.244
e		1.27			0.050	
e3		3.81			0.150	
F	3.8		4.0	0.14		0.157
L	0.4		1.27	0.015		0.050
M			0.6			0.023
S	8 (max.)					



0016023



TO-252 (DPAK) MECHANICAL DATA

DIM.	mm			Inch		
	MIN.	TYP.	MAX.	MIN.	TYP.	MAX.
A	2.2		2.4	0.086		0.094
A1	0.9		1.1	0.035		0.043
A2	0.03		0.23	0.001		0.009
B	0.64		0.9	0.025		0.035
B2	5.2		5.4	0.204		0.212
C	0.45		0.6	0.017		0.023
C2	0.48		0.6	0.019		0.023
D	6		6.2	0.236		0.244
E	6.4		6.6	0.252		0.260
G	4.4		4.6	0.173		0.181
H	9.35		10.1	0.368		0.397
L2		0.8			0.031	
L4	0.6		1	0.023		0.039

