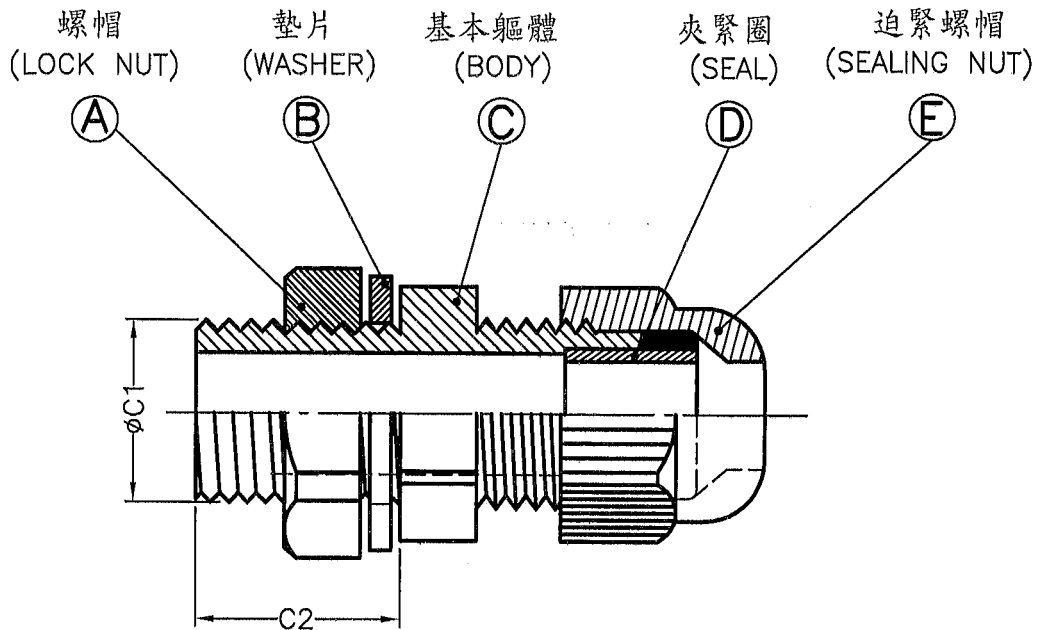


REVISIONS			
REV	DESCRIPTION	DATE	BY





ITEM.	MATERIAL
A, C, E	NYLON 66 UL94V-2
B, D	EPDM

標準螺牙 THREADED ENTRY METRIC	適用電纜 CABLE RANGE ϕ	螺紋外徑 THREADED O. D. $\phi C1$	機板口徑 PANEL MOUNTING HOLE	螺紋長度 THREADED LENGTH C2
M12X1.5	$\phi 8.5 \sim \phi 4.5$	$\phi 11.8$	$\phi 12.0 \sim \phi 12.3$	8.5



NOTE: MADE OF EQUIVALENT MATERIAL.
可使用同等材質。

 康揚企業股份有限公司 KANG YANG HARDWARE ENTERPRISE CO., LTD. 康揚塑膠(東莞)有限公司 KANG YANG PLASTIC(DONG GUAN) CO., LTD. 康哲電腦配件(吳江)有限公司 KANG CHE COMPUTER COMPONENTS(WUJIANG) CO., LTD.				TITLE	Cable Glands	SPEC. DWG.	
				MATERIAL	SEE ABOVE	DATE	2015.12.29
				FINISH		DRAWN	T.C
PART NUMBER	KGB12-08	DRAWING NUMBER	KGB12-08	COLOR	BLACK	CHECK	
SIZE	A4	SCALE	NONE	UNIT	mm	REV	A
				UNLESS OTHERWISE SPECIFIED TOLERANCE	± 0.5	APPROVED	