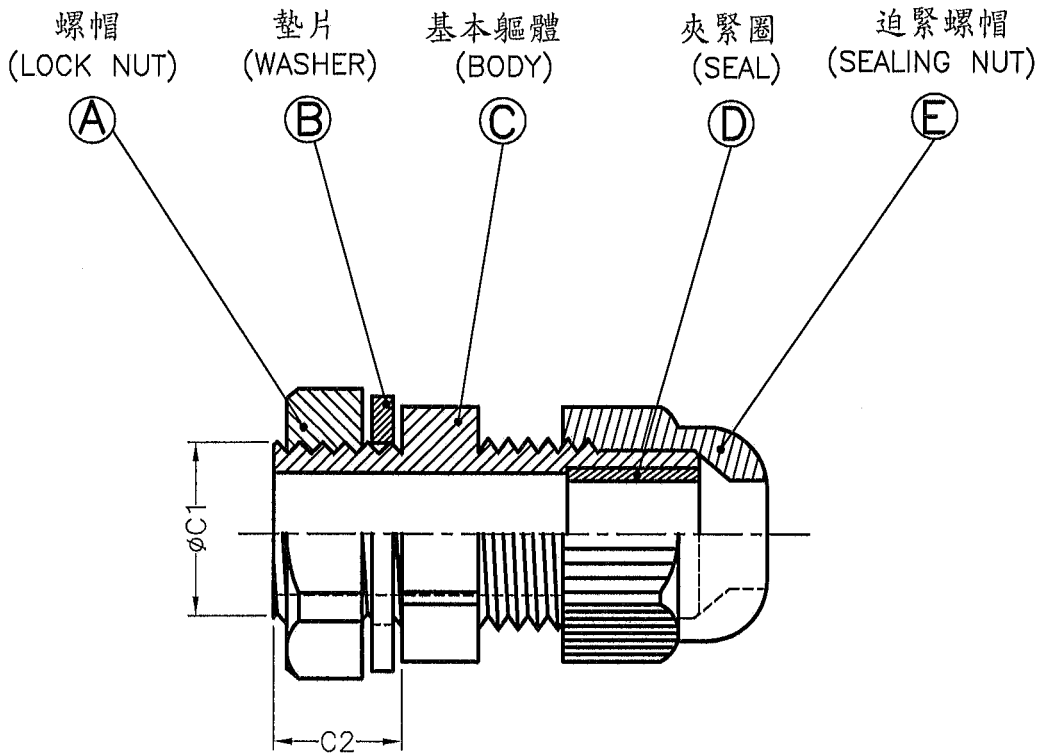


REVISIONS			
REV	DESCRIPTION	DATE	BY

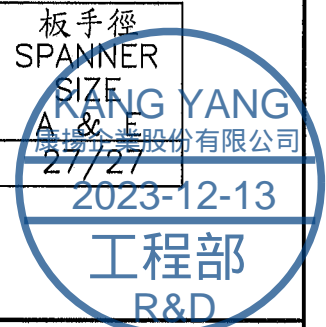
IP68 認證
IP68 Certificate

ITEM.	MATERIAL
A, C, E	NYLON 66 UL94V-2
B, D	EPDM



標準螺牙 THREADED ENTRY METRIC	適用電纜 CABLE RANGE φ	螺紋外徑 THREADED O. D. φC1	機板口徑 PANEL MOUNTING HOLE	螺紋長度 THREADED LENGTH C2	板手徑 SPANNER SIZE
M20X1.5	φ14~φ8.5	φ19.8	φ20.0~φ20.3	10	A & E 27/27

NOTE:MADE OF EQUIVALENT MATERIAL.
可使用同等材質.



康揚企業股份有限公司 KANG YANG HARDWARE ENTERPRISE CO., LTD. 康揚塑膠(東莞)有限公司 KANG YANG PLASTIC(DONG GUAN) CO.,LTD. 康哲電腦配件(吳江)有限公司 KANG CHE COMPUTER COMPONENTS(WUJIANG) CO.,LTD.	TITLE		Cable Glands		SPEC. DWG.		
	MATERIAL		SEE ABOVE		DATE		2009.11.02
	FINISH		BLACK		DRAWN		T.C
	COLOR		UNLESS OTHERWISE SPECIFIED TOLERANCE		CHECK		
PART NUMBER		DRAWING NUMBER		APPROVED			
KGB20-14-ST		KGB20-14-ST		TOLERANCE		±0.5	
SIZE	SCALE	UNIT	REV	APPROVED			
A4	NONE	mm	A	Kang			