

## DC Power Plug Series

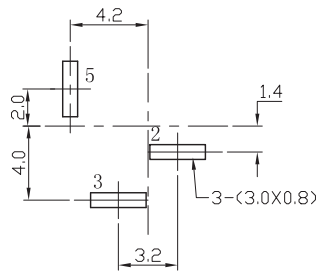
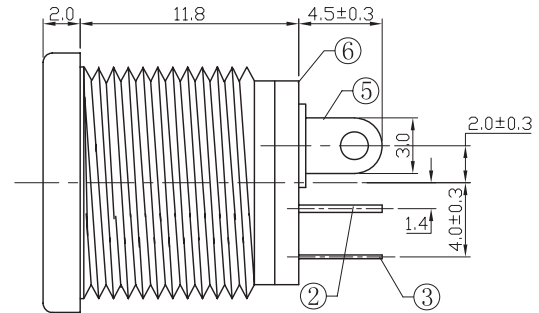
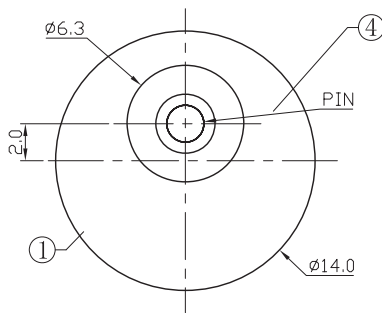
KLS1-DC-022B (DC Power Socket)

### Technical parameters:

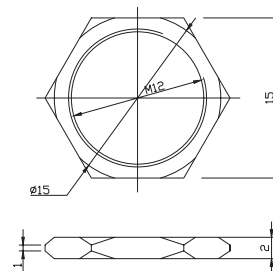
Contact resistance: 0.03Ω, max  
Insulation resistance: 100MΩ, min  
Pressure: AC500V (50Hz) / 1minute  
Rated Load: DC 30V 1A  
Actuating Force: 3~20N  
Life: 5000 times  
Operating Temperature:-30°C ~ 70°C

### Material:

Centre Pin : Copper, Nickel Plated  
Terminal 5 : Brass, Tin Plated  
Terminal 3 : Stainless Steel, Tin Plated  
Terminal 2 : Brass, Tin Plated  
Housing : PBT  
Cover : PBT



P. C. B LAYOUT



MODEL NO.	DC-022B
SCHMATIC	
CENTER PIN	Ø 2.0mm Ø 2.5mm

NO.	DESCRIPTION	QTY	MATERIAL	PLATING
6	COVER	1	PF	
5	CONTACT FOOT	1	BRASS	Sn-Plating
4	PIN	1	BRASS	Ni-Plating
3	SPRING	1	SUS301	Sn-Plating
2	FLAT PIECE	1	BRASS	Sn-Plating
1	HOUSING	1	PBT	

## ORDER INFORMATION

Product NO.: KLS1-DC-022B-2.0

Pos. NO. ———— DC Power Socket ———— Center Pin Dimension