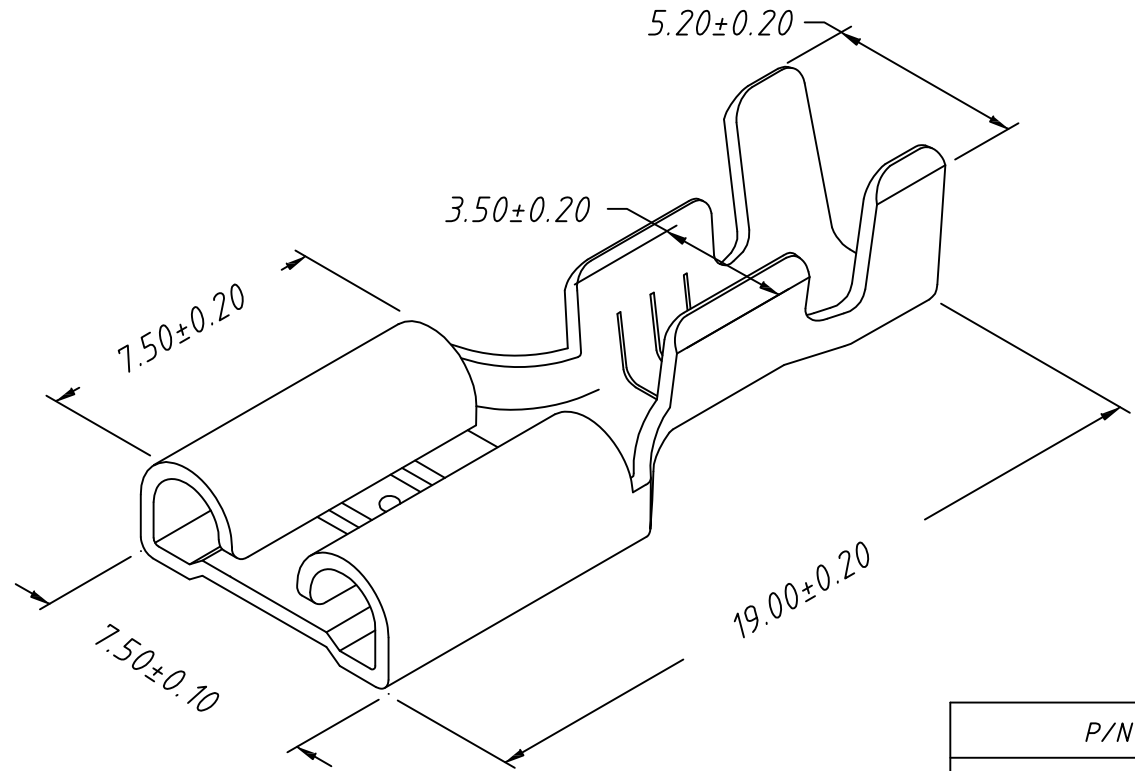
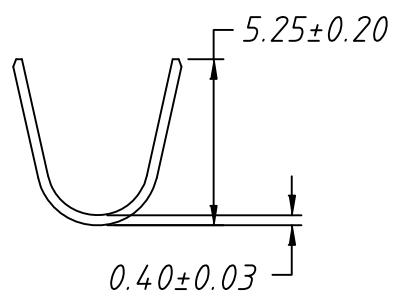
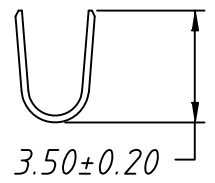


1  
RoHS Compliant

Note:  
 1. Appearance: Terminal cannot be corrected, scratched or oxidized  
 2. Material:  
 Brass C2680, T=0.40mm, Tin plating  
 3. Q'TY: 5000PCS/REEL  
 4. Connectoin Table: See Table  
 5. Wire Range: 16~20AWG



P/N	Connection Table
L-KLS8-DFE01-2500500	W6.35×T0.50mm
L-KLS8-DFE01-2500800	W6.35×T0.80mm

TOLERANCE		PROJECTION	Description:
0 - 3mm	±0.10	UNITS	250 Type Straight Female TERM. for Cable
3 - 6mm	±0.15	SHEET SIZE	
6 - 10mm	±0.20	KLS P/N: KLS8-DFE01-2500X00	
10 - 30mm	±0.25		

Draw: Daniel ANGLE ±3°  
 Check: Daniel Data: 2019-04-10

**KLS** NingBo KLS ELECTRONIC CO.,L TD.