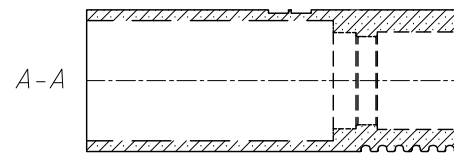
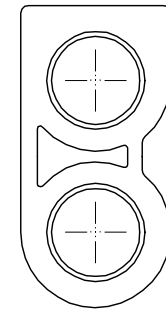
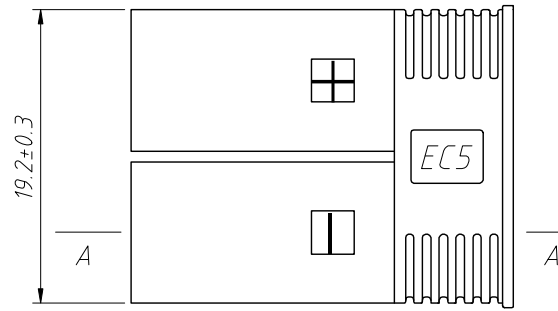
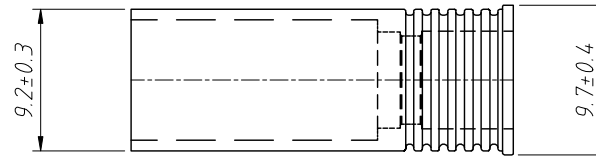
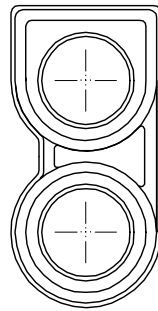
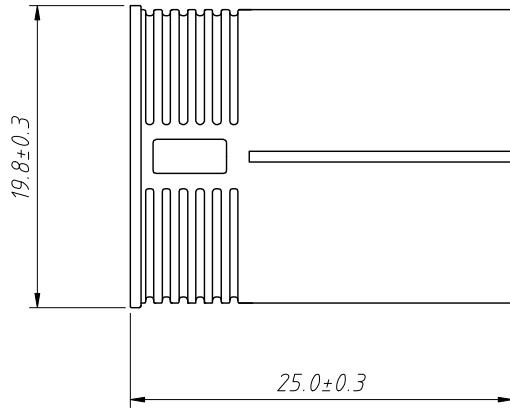
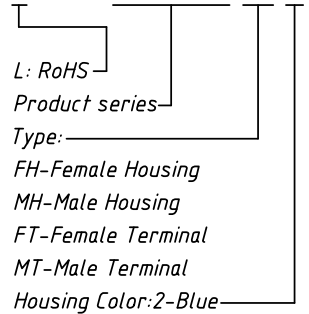


1  
RoHS Compliance



Order Information:

L-KLS1-XT02-EC5-FH-2



Material:

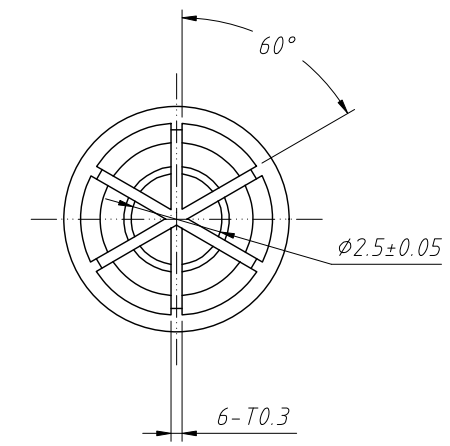
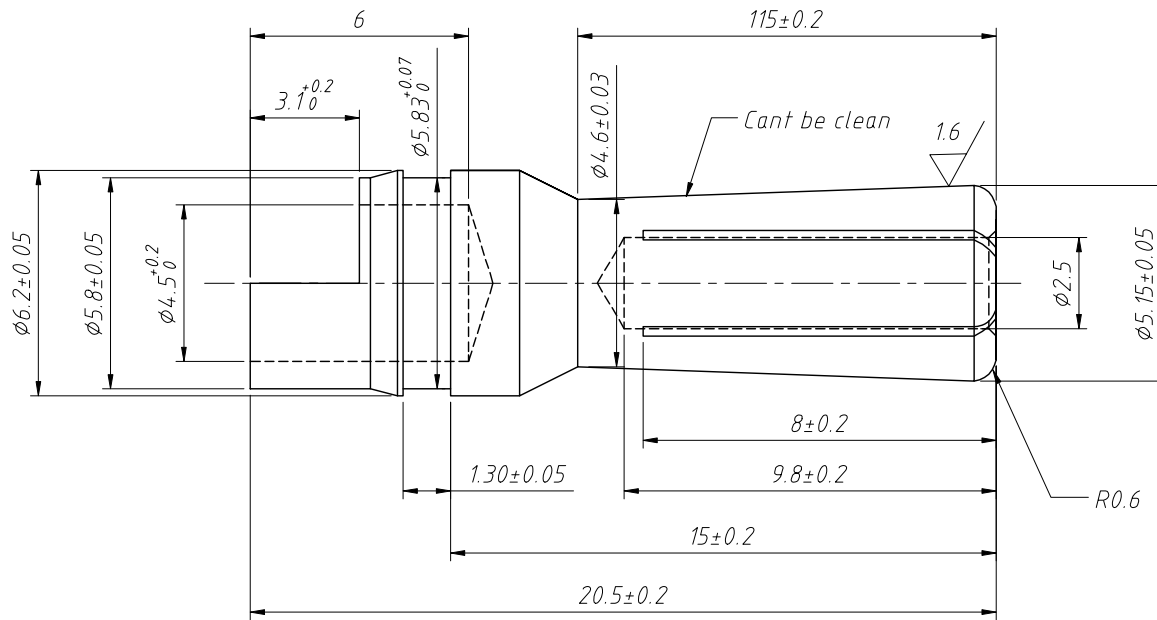
EC5 Female Housing: PA66 UL94-V2, Blue Color  
 Weight: 1.5g  
 Package Way: 500PCS/Bag  
 Temperature range: -30°C ~ 120°C

Description:

1. EC5 Female Housing with Male Terminal (L-KLS1-XT02-EC5-MT) used.
2. Hardware surface plating bright no oxidation and other bad.
3. The solder wire shall not flow outward to the terminal surface to avoid affecting the assembly

ANGLE TOLERANCE		PROJECTION		Description:	
±3°				Female Housing	
GENERAL TOLERANCE		UNITS	mm	KLS P/N:	L-KLS1-XT02-EC5-FH-2
x.x	±0.30	SHEET SIZE	A4		
x.xx	±0.20	Draw:	Daniel	2022-08-25	NingBo KLS ELECTRONIC CO.,L TD.
x.xxx	±0.10	Check:	Daniel	2022-08-25	

1 RoHS Compliance



Material:  
5.0 Male Terminal:6.2×20.5,C3604,Gold plated  
Package Way:2000PCS/Bag

Electrical Characteristics:  
Cable Apec:10AWG-12AWG  
Temperature range:-30°C~120°C

Description:  
Male Terminal with EC5 Female Housing (L-KLS1-XT02-EC5-FH-2) used.  
No surface peeling, oxidation and other bad  
Package and store after full inspection

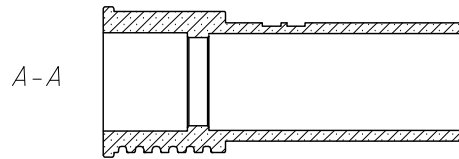
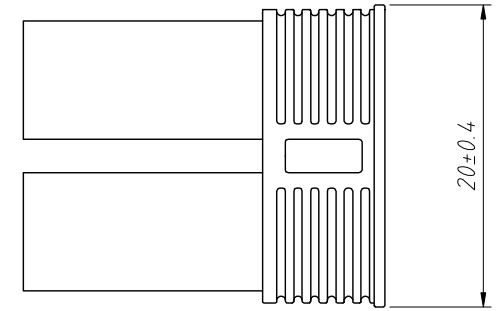
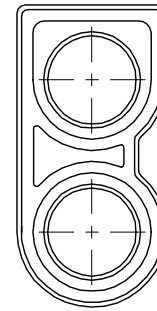
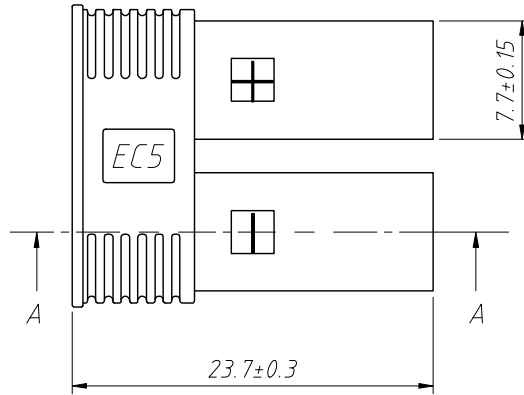
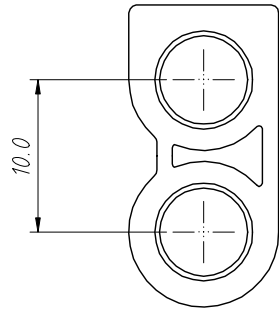
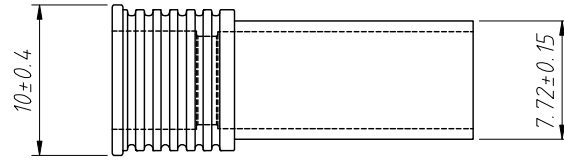
Order Information:  
L-KLS1-XT02-EC5-MT

L: RoHS  
Product series  
Type:  
FH-Female Housing  
MH-Male Housing  
FT-Female Terminal  
MT-Male Terminal

ANGLE TOLERANCE	PROJECTION	Description:	Male Terminal	
±3°				
GENERAL TOLERANCE	UNITS	mm	KLS P/N:	L-KLS1-XT02-EC5-MT
x.x ±0.30	SHEET SIZE	A4		
x.xx ±0.20	Draw:	Daniel	2022-08-25	
x.xxx ±0.10	Check:	Daniel	2022-08-25	

NingBo KLS ELECTRONIC CO.,L TD.

1 RoHS Compliance



Order Information:

L-KLS1-XT02-EC5-MH-2

L: RoHS

Product series

Type:

FH-Female Housing

MH-Male Housing

FT-Female Terminal

MT-Male Terminal

Housing Color:2-Blue

Material:

EC5 Male Housing:PA66 UL 94 - V2,Blue Color

Weight:1.33g

Package Way:500PCS/Bag

Temperature range:-30°C ~ 120°C

Description:

1. EC5 Male Housing with Female Terminal (L-KLS1-XT02-EC5-FT) used.

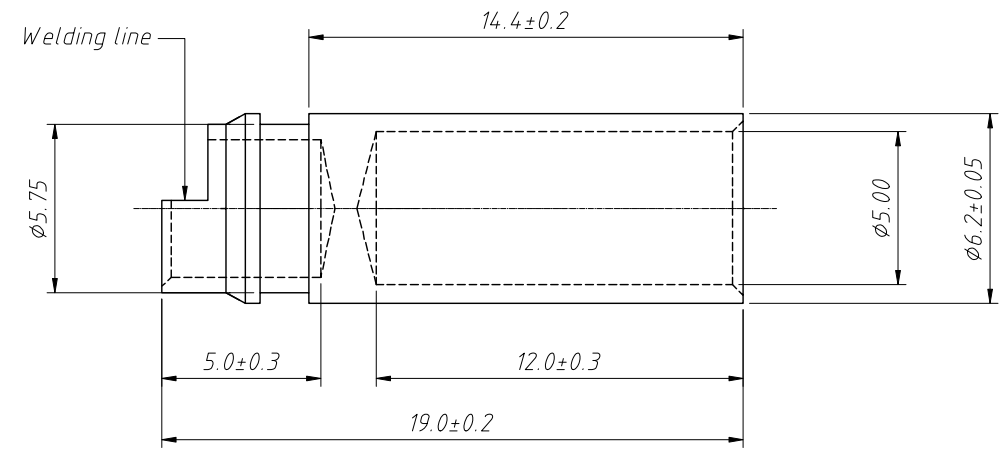
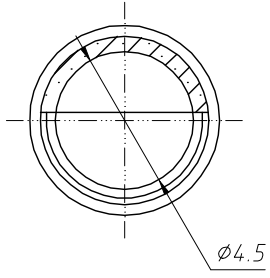
2.Hardware surface plating bright no oxidation and other bad.

3.The solder wire shall not flow outward to the terminal surface to avoid affecting the assembly

ANGLE TOLERANCE	PROJECTION	Description:
±3°		Male Housing
GENERAL TOLERANCE	UNITS	mm
x.x ±0.30	SHEET SIZE	A4
x.xx ±0.20	Draw:	Daniel 2022-08-25
x.xxx ±0.10	Check:	Daniel 2022-08-25

**NingBo KLS ELECTRONIC CO.,L TD.**

1  
RoHS Compliance



Material:  
5.0 Female Terminal:6.2×19.0,H59 Brass,Gold plated

Electrical Characteristics:  
Weight:2.0g  
Cable Apec:10AWG Max  
Package Way:2000PCS/Bag  
Temperature range:-30°C~120°C

Description:  
Female Terminal with EC5 Male Housing (L-KLS1-XT02-EC5-MH-2) used.

Order Information:  
L-KLS1-XT02-EC5-FT

L: RoHS  
Product series  
Type:

FH-Female Housing  
MH-Male Housing  
FT-Female Terminal  
MT-Male Terminal

ANGLE TOLERANCE	PROJECTION	Description:	Female Terminal	
±3°				
GENERAL TOLERANCE	UNITS	mm	KLS P/N:	L-KLS1-XT02-EC5-FT
x.x ±0.30	SHEET SIZE	A4		
x.xx ±0.20	Draw:	Daniel	2022-08-25	
x.xxx ±0.10	Check:	Daniel	2022-08-25	

NingBo KLS ELECTRONIC CO.,L TD.