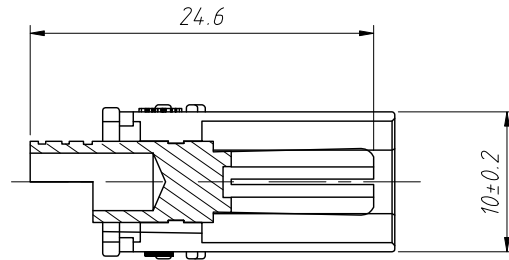


1 RoHS Compliance

REV	SYM	Revision Record	Appr.	Date
V0	KLS01633	New Version Release	WuHao	2024-10-16

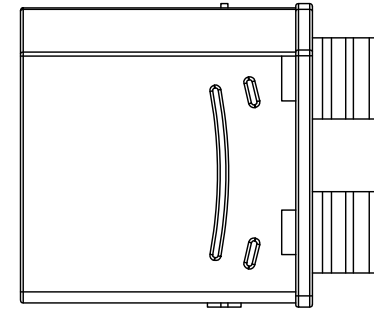
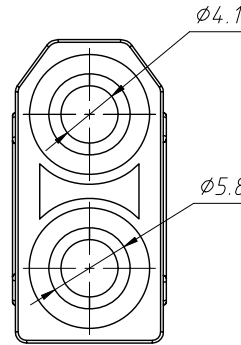
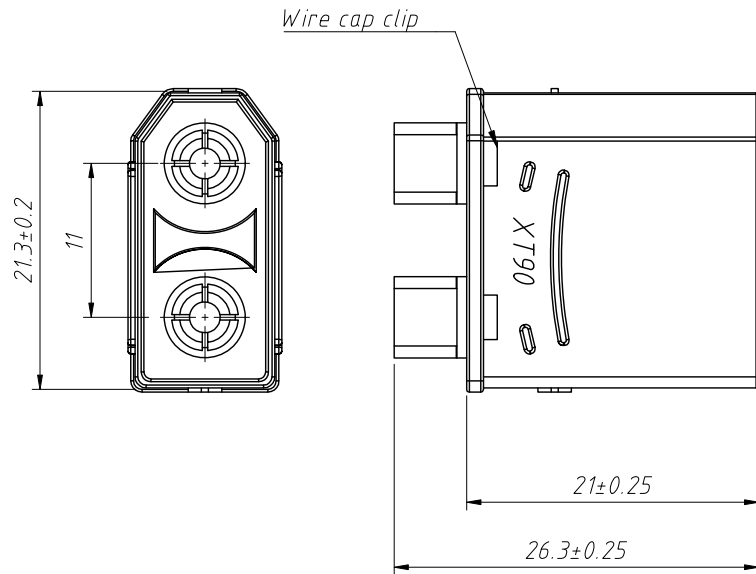


SECTION A-A

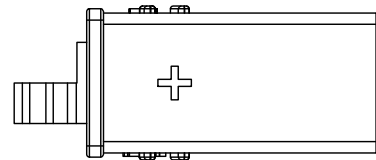
Material:
 Housing: PA,UL 94V-2, Yellow
 Terminal: Brass, Gold-Plated

Electrical Characteristics:
 Instant Current: 90A
 Rated Current: 45A
 Rated Voltage: DC500V
 Contact Resistance: 0.4mΩ Max
 Operating Temperature: -20°C ~ +120°C
 Minimum Thickness: 0.7mm
 Recommended Wire Gauge: 8AWG 10AWG

Package: 300 PCS / Bag



Order Information:
 L-KLS1-XT90-M-8
 L: RoHS
 Product series
 Type:
 F-Female M-Male
 Color: 8-Yellow



ANGLE TOLERANCE	PROJECTION	Description:
±3°		XT90 Female Housing Contains Male Terminal
GENERAL TOLERANCE	UNITS	mm
x.x ±0.10	SHEET SIZE	A4
x.xx ±0.05	Draw:	Song 2024-10-16
x.xxx ±0.03	Check:	Daniel 2024-10-16
		L-KLS1-XT90-M-8

