

Product Specification

Number: L-KLS18-EC36-xxxx-x
Name: Epoxy Coated Coils EC36
Customer: _____
Date: 2025-12-13



WWW.KLSELE.COM

NINGBO KLS ELECTRONIC CO; LTD

Tel : 0086-574-86828566

Fax : 0086-574-86824882

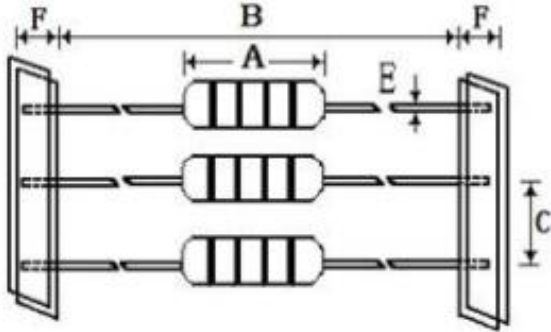
ADD : NO. 8-1, RONGXIA RD. XIAPU SHANQIAN
INDUSTRIAL ZONE BEILUN NINGBO ZHEJIANG.

Compi	Check	Review	Approva
Jenny	Jack.C		

Part name	Epoxy Coated Coils EC36	Date	2025-12-13
Part number	L-KLS18-EC36-xxxx-x	Edition	V1
Department		Page	3 / 5

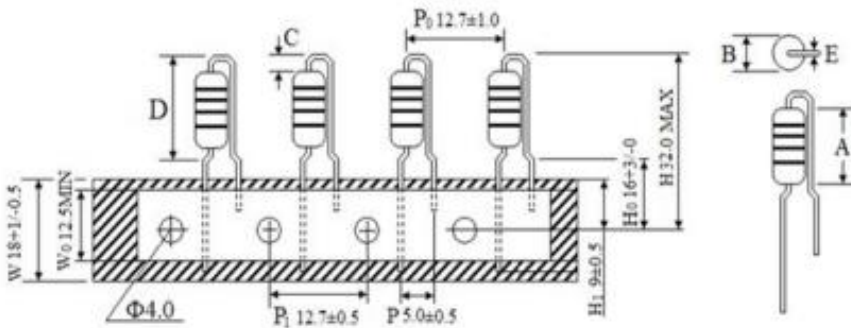
1. SHAPES AND DIMENSIONS (UNIT:mm)

1.1 HORIZONTAL TAPING



A	10.0 MAX
B	52.0±2.0
C	5.0±1.0
D	4.0 MAX
E	0.6±0.1
F	6.0±0.5

1.2 VERTICAL TAPING



A	10.0 MAX
B	4.0 MAX
C	3.0 MAX
D	14.0 MAX
E	0.6±0.1

2. PART NUMBERING SYSTEM

L-KLS18- **EC36** - 560 K A
 ① ② ③ ④

① 品名 Series name

② 电感值 Inductance

③ 公差 Tolerance

J ± 5%; K ± 10%; L ± 15%; M ± 20%; P ± 25%; N ± 30%

④ 包装 Packing :

A-Ammo packing ; R-Reel packing ; B-Bulk packing

Part name	Epoxy Coated Coils EC36	Date	2025-12-13
Part number	L-KLS18-EC36-xxxx-x	Edition	V1
Department		Page	4 / 5

3. ELECTRICAL CHARACTERISTICS

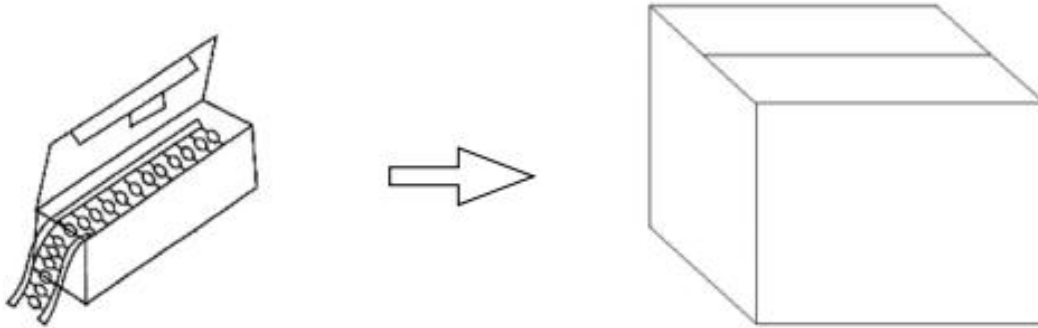
PART NUMBER	INDUCTANCE (μH)	Q (min)	DCR(max) (Ω)	IDC(max) (mA)	TEST FREQUENCY (MHz)
EC36-R22	0.22	25.0	0.10	1400	25.2
EC36-R27	0.27	25.0	0.11	1320	25.2
EC36-R33	0.33	25.0	0.12	1280	25.2
EC36-R3□	0.39	25.0	0.13	1200	25.2
EC36-R47	0.47	25.0	0.14	1150	25.2
EC36-R56	0.56	25.0	0.15	1100	25.2
EC36-R68	0.68	25.0	0.16	1030	25.2
EC36-R82	0.82	25.0	0.17	980	25.2
EC36-1R0	1.0	25.0	0.19	920	25.2
EC36-1R2	1.2	40.0	0.21	880	7.96
EC36-1R5	1.5	40.0	0.23	830	7.96
EC36-1R8	1.8	40.0	0.25	790	7.96
EC36-2R2	2.2	40.0	0.28	750	7.96
EC36-2R7	2.7	40.0	0.30	720	7.96
EC36-3R3	3.3	40.0	0.34	670	7.96
EC36-3R9	3.9	40.0	0.37	640	7.96
EC36-4R7	4.7	40.0	0.39	620	7.96
EC36-5R6	5.6	40.0	0.43	590	7.96
EC36-6R8	6.8	40.0	0.48	550	7.96
EC36-8R2	8.2	40.0	0.52	530	7.96
EC36-100	10.0	40.0	0.58	500	7.96
EC36-120	12.0	40.0	0.63	480	2.52
EC36-150	15.0	40.0	0.72	460	2.52
EC36-180	18.0	40.0	0.77	430	2.52
EC36-220	22.0	40.0	0.84	410	2.52
EC36-270	27.0	40.0	0.94	390	2.52
EC36-330	33.0	30.0	1.03	370	2.52
EC36-390	39.0	30.0	1.30	320	2.52
EC36-470	47.0	30.0	1.40	310	2.52
EC36-560	56.0	30.0	1.50	300	2.52
EC36-680	68.0	30.0	1.60	270	2.52
EC36-820	82.0	25.0	1.80	240	2.52
EC36-101	100.0	25.0	1.80	275	2.52
EC36-121	120.0	40.0	3.70	185	0.796
EC36-151	150.0	40.0	4.20	175	0.796
EC36-181	180.0	40.0	4.60	165	0.796
EC36-221	220.0	40.0	5.10	155	0.796
EC36-271	270.0	40.0	5.80	145	0.796
EC36-331	330.0	40.0	6.40	137	0.796
EC36-391	390.0	40.0	7.00	133	0.796
EC36-471	470.0	40.0	7.70	126	0.796
EC36-561	560.0	40.0	8.50	120	0.796
EC36-681	680.0	40.0	9.40	113	0.796
EC36-821	820.0	40.0	10.50	105	0.796
EC36-102	1000.0	40.0	14.00	100	0.796
EC36-122	1200.0	40.0	13.00	80	0.252
EC36-152	1500.0	40.0	15.00	60	0.252
EC36-222	2200.0	40.0	19.00	45	0.252
EC36-272	2700.0	40.0	23.00	45	0.252
EC36-332	3300.0	40.0	32.00	40	0.252
EC36-472	4700.0	40.0	40.00	40	0.252
EC36-682	6800.0	30.0	70.00	20	0.252
EC36-103	10000.0	10.0	120.00	10	0.0796

※Design as Customer's Requested Specifications. (可按顾客的特殊需求设计)

Part name	Epoxy Coated Coils EC36	Date	2025-12-13
Part number	L-KLS18-EC36-xxxx-x	Edition	V1
Department		Page	5 / 5

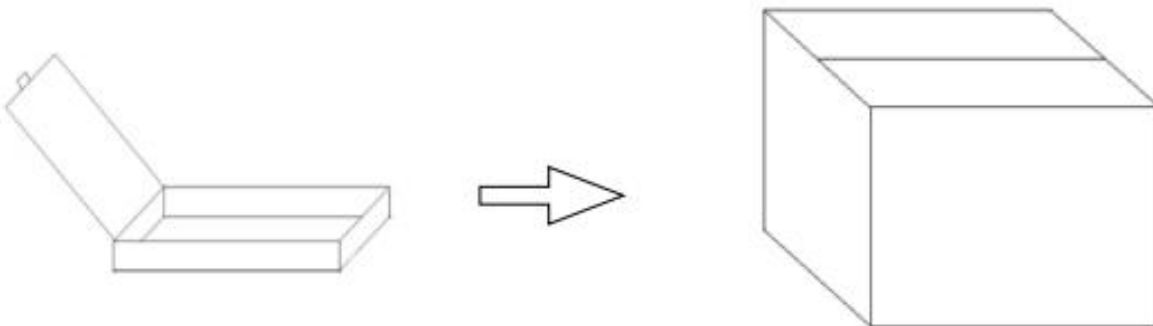
4.PACKAGE SPECIFICATION

4.1 HORIZONTAL TAPING



NO.	Packaging Materials	ReferenceDimension	Quantity
1	Box	25.5×7×7.2(cm)	1500PCS/Box
2	Master Carton	38×27×16.5(cm)	15000PCS/10Box

4.2 VERTICAL TAPING



NO.	Packaging Materials	ReferenceDimension	Quantity
1	Box	33.2×23.7×5(cm)	3000PCS/Box
2	Master Carton	35.5×25×36.5(cm)	21000PCS/7Box