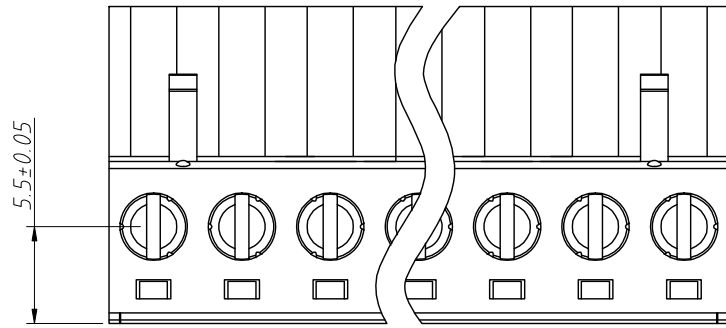


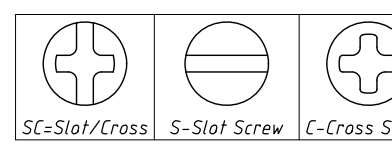
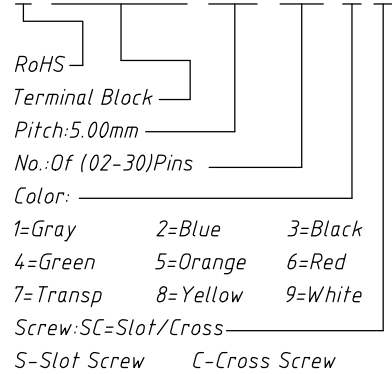
1 RoHS Compliance

REV	SYM	Revision Record	Appr.	Date
V0	KLS02103	New Version Release	Song	2025-08-01



Order Information

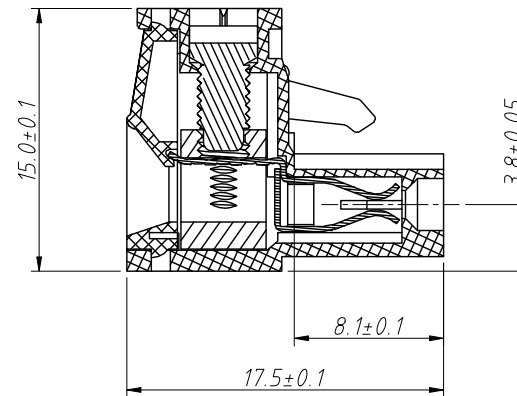
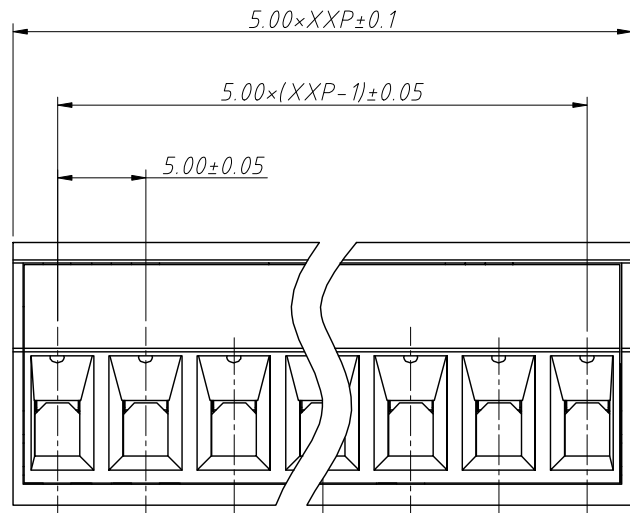
L-KLS2-EDK-5.00-02P-4 S



Material:
Contact: Brass Machined
Terminal screw: Steel Galvanized and chromitized
or Nickel plated or Tin plated (standard) (option)
Wire guard: PhBZ, Tin plated
Housing: Polyamide (Glass filled), UL 94 V-0

Electrical:
Voltage rating: 250VAC
Current rating: 15Amps/way max
Contact resistance: 20mΩ (max)
Insulation resistance: 5000MΩ/1000V
Withstanding Voltage: 1500VAC (1min)
Test time=60sec/1pcs
Wire Range: 14-22AWG

Mechanical:
Torque: 4kgf.cm/M2.5
Operating temperature: -33°C to +120°C
Soldering reliability:
Test temperature=250°C±10°C 5 seconds max



ANGLE TOLERANCE	PROJECTION	Description:	Pitch 5.00mm Terminal Block	
±3°				
GENERAL TOLERANCE	UNITS	mm	KLS P/N:	L-KLS2-EDK-5.00-XXP-XX
x.x ±0.30	SHEET SIZE	A4		
x.xx ±0.20	Draw:	Song	2025-08-01	NingBo KLS ELECTRONIC CO.,L TD.
x.xxx ±0.10	Check:	Daniel	2025-08-01	