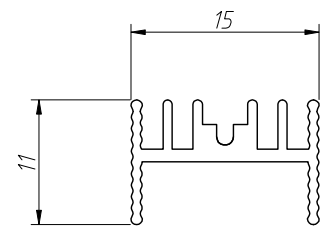
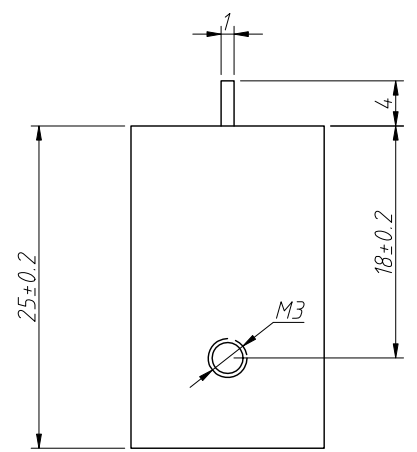


1
RoHS Compliance

6	7	8
REV	SYM	Revision Record
V0	KLS20035	New Version Release
Appr	Jenny	Date
		2024-02-17



Material:AL 6063
Color: Black
Packing:Bag



ANGLE TOLERANCE	PROJECTION	Description:
±3°		15×10×25mm Profile Radiator
GENERAL TOLERANCE	UNITS	mm
x.x ±0.30	SHEET SIZE	A4
x.xx ±0.20	Draw:	Jenny 2024-02-17
x.xxx ±0.10	Check:	Daniel 2024-02-17

KLS NingBo KLS ELECTRONIC CO.,L TD.