

# Product Specification

Number: L-KLS5-GDTH5560-xxxL  
Name: 2-Electrode arrester  
Customer: \_\_\_\_\_  
Date: 2026-04-07



[WWW.KLSELE.COM](http://WWW.KLSELE.COM)

## NINGBO KLS ELECTRONIC CO; LTD

Tel : 0086-574-86828566

Fax : 0086-574-86824882

ADD : NO. 8-1, RONGXIA RD. XIAPU SHANQIAN  
INDUSTRIAL ZONE BEILUN NINGBO ZHEJIANG.

Compi	Check	Review	Approva
Jenny	Jack.C		



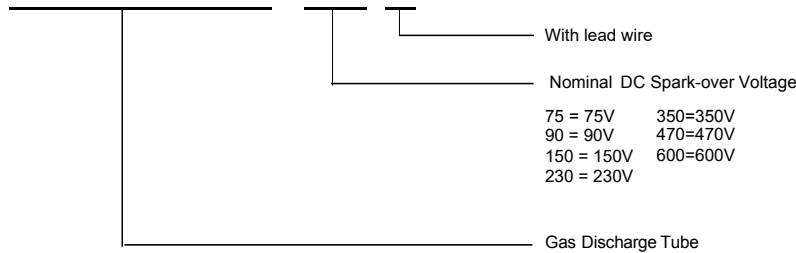
Part name	2-Electrode arrester	Date	2026-04-07
Part number	L-KLS5-GDTH5560-xxxL	Edition	V1
Department		Page	3 / 4

## Electrical Characteristics

Type(have no lead wire)Φ5.5×6mm	5560-75	5560-90	5560-150	5560-230	5560-350	5560-470	5560-600
Type(have lead wire)Φ5.5×6mm	5560-75L	5560-90L	5560-150L	5560-230L	5560-350L	5560-470L	5560-600L
Nominal DC Spark-over voltage 100V/s(V)	75	90	150	230	350	470	600
Deviation of VS (V)%	±25	±25	±20	±20	±20	±20	±20
Impulse spark-over voltage 100V/μs(V)	≤500	≤500	≤500	≤600	≤800	≤1000	≤1200
Impulse spark-over voltage 1KV/μs(V)	≤600	≤600	≤650	≤700	≤900	≤1100	≤1300
Impulse discharge current 10/350μs(KA) 1times	1.5	1.5	1.5	1.5	1.5	1.5	1.5
Impulse discharge current 8/20μs(KA) 10times	10	10	10	10	5	5	3
Impulse discharge current 10/1000μs(A/times)	100/300	100/300	100/300	100/300	100/300	100/300	100/300
Alternating discharge current 50Hz 10times(A)	5	5	5	5	5	5	5
Insulation resistance (Ω)	≥10 <sup>8</sup>	≥10 <sup>8</sup>	≥10 <sup>9</sup>	>10 <sup>9</sup>	>10 <sup>9</sup>	>10 <sup>9</sup>	>10 <sup>9</sup>
Capacitance (1 MHz) pF	≤1	≤1	≤1	≤1	≤1	≤1	≤1

## ORDER INFORMATION

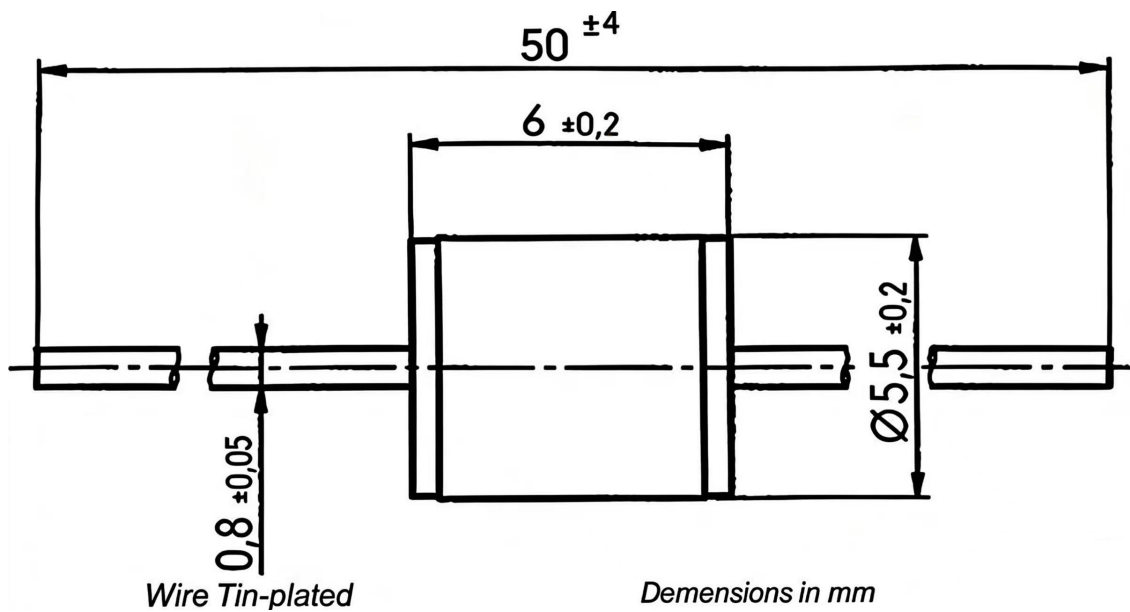
L-KLS5-GDTH5560 - XXX L



<b>Materials</b>	Nickel-plated with tinplate wires
<b>Product Marking (Blue positive)</b>	<b>L-KLS5-GDTH5560-xxxL</b> XXX -Nominal voltage
<b>Storage and Operational Temperature</b>	-40 to +90°C
<b>Weight</b>	~1g
<b>Climatic category (IEC 60068-1)</b>	40/ 90/ 21

Part name	2-Electrode arrester	Date	2026-04-07
Part number	L-KLS5-GDTH5560-xxxL	Edition	V1
Department		Page	4 / 4

## Dimensions



## Cautions and warnings

- Surge arresters must not be operated directly in power supply networks
- Surge arresters may become hot in case of longer periods of current stress (danger of burning).
- If the contacts of the surge arrester are defective, current stress can lead to the formation of sparks and loud noises.
- Surge arresters may be used only within their specified values. In case of overload, the head contacts may fail or the component may be destroyed.
- Damaged surge arresters must not be re-used.