



LANBOO
中国·蓝波

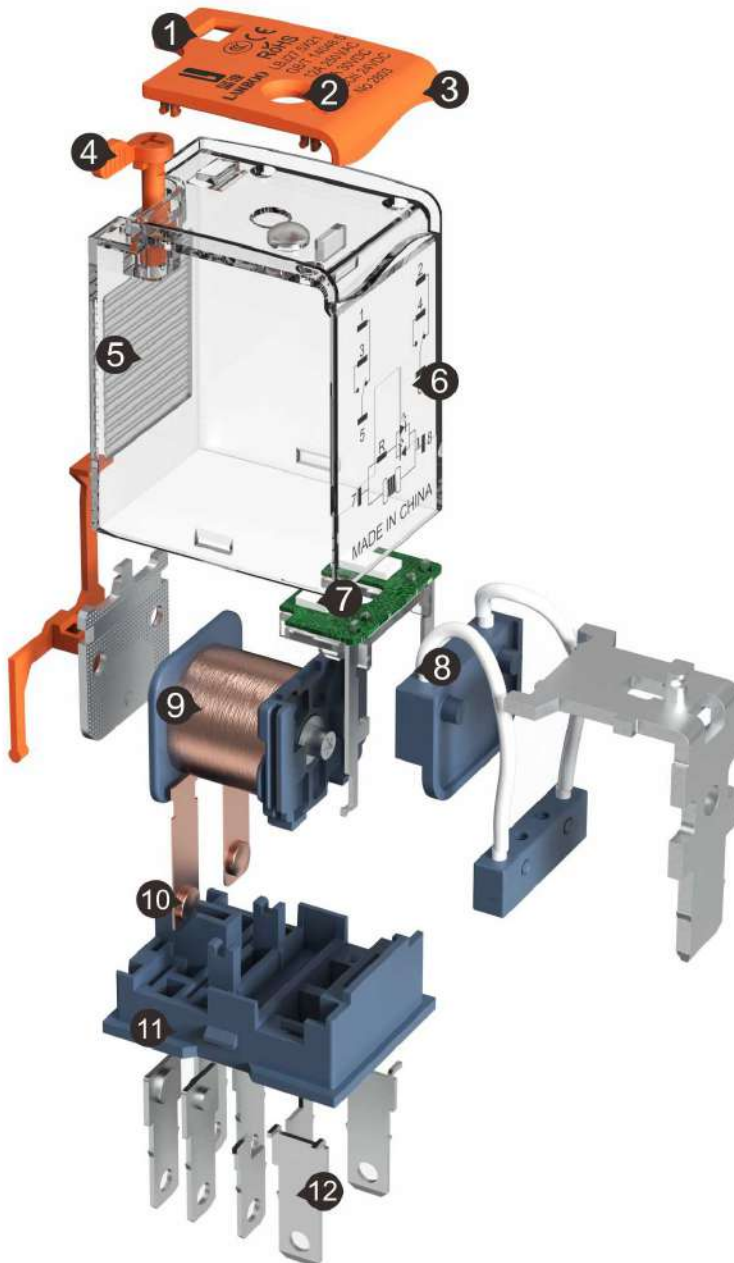


Substitute Import

Let the world fall in love with Made in China



Product Materials



- 1** Contact status indication area
- 2** Coil energization indication area
- 3** flame retardant material
- 4** Manual test wrench
- 5** Anti-slip design
(Easy to plug and unplug, easy to install)
- 6** Transparent flame retardant material
(visual display, internal structure)
- 7** Promise SMD LED
- 8** Wire wrap design
(more stable performance)
- 9** Foot-turn pure copper coil
- 10** Enlarged silver tin oxide contacts
(Anti-high current)
- 11** Pa66 base V0 flame retardant material
- 12** Silver-plated thick copper pins

Product Materials

Product material introduction

Product Features



Big 8-Pin (12A)
2NO2NC

Small 8-Pin (12A)
2NO2NC

Small 14-Pin (5A)
4NO4NC

Ω Resistance
 $\leq 50\text{m}\Omega$

Life
 ≥ 2000 万次

Temperature
 $-40^{\circ}\text{C}-80^{\circ}\text{C}$

Patent No
ZL202130261820.7



DC

LED light is GREEN when power on.



AC

LED light is RED when power on.

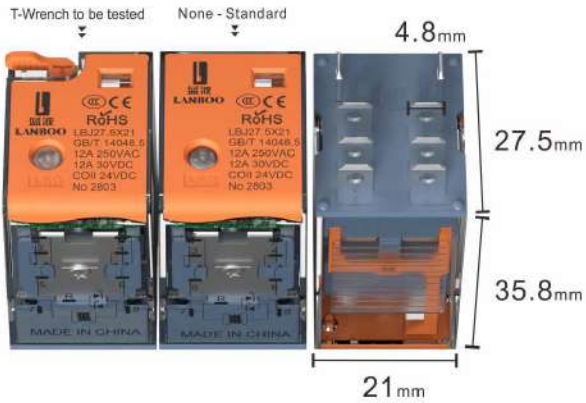
Product Features

27.5X21Relay Series

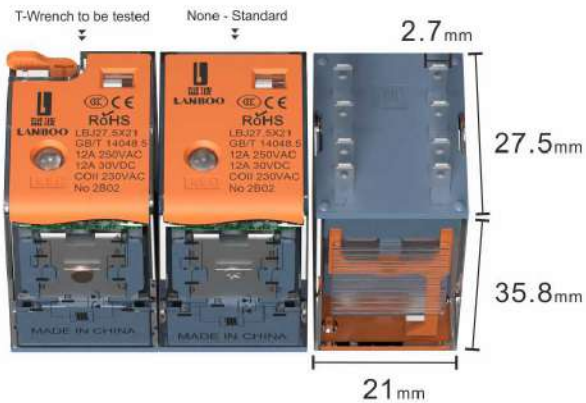
Product Information

Installation Method	Matching socket, soldering	
Wiring	Pin type, optional matching relay socket	
Solder Resistance	≤ 380° C (25~50W Soldering iron) , ≤ 2 Second	
Pin Reverse Thrust	≥ 80N No displacement, 1min	
Working Temperature	-40° C~+80° C, Non-vacuum state, without icing	
Environment Humidity	35° C~80%RH	
Storage Temperature	In good condition, -40° C~+55° C	
Storage Humidity	In good condition, 45° C~90%RH	
Contact Resistance	≤ 50mΩ	
Pick-up Voltage (23°C)	DC: ≤ 75% (Rated Voltage) ; AC (50HZ/60HZ) : ≤ 80% (Rated Voltage)	
Release Voltage (23°C)	DC: ≥ 10% (Rated Voltage) ; AC (50HZ/60HZ) : ≥ 30% (Rated Voltage)	
Maximum Voltage (23°C)	Rated Voltage110%	
Pull-inTime	≤ 25ms	
Release Time	≤ 25ms	
Coil Power Consumption	≈ 0.9W (DC) / ≈ 1.2VA (AC)	
Insulation Resistance	≥ 1000MΩ(500VDC), between terminal and housing	
Contact inimum Load	3V AC/DC, 5mA (Reference value, depending on environment and load)	
Vibration Resistance	XYZ Three-way, 60HZ, Amplitude 2mm, 10 Hour (Observation records every 2 hours)	
Product Anti-drop	The shell end is vertically dropped 1 meter, 3 times, and it can work normally	
Package Dropped	600mm The height has been dropped 4 times in a row, and the product is not damaged	
Temperature Rise Test	According to clause 8.3.3.3 of GB/T14048.5 standard (constant temperature 25°C, continuous power on for 60Min, so the contact is fully loaded, and the temperature difference between the front and rear does not exceed the 1-hour test interval.55K)	
Salt Spray Test	24h, 1 cycle, (refer to GB/T 2423.18-2012)	
Low Temperature Test	-40°C, 96h, contact resistance≤200mΩ, LED light is normal	
High Temperature Test	80°C, 96h, contact resistance≤200mΩ, LED light is positive	
High and low temperature impact test (Accelerated aging test with LED lamp)	-40°C~+85°C, 85%RH, 40min/cycle, 50 cycles, contact resistance≤200mΩ, LED light is normal	
Electrical Life Test	Big 8 Foot	At full load (switching frequency: 18000 Ops/h) the working conditions are as follows: At room temperature, 5A 250V/30VDC (frequency 1s on, 9s off): ≥400,000 times; At room temperature, 7A 250V/30VDC (frequency 1s on, 9s off): ≥300,000 times; At room temperature, 12A 250V/30VDC (frequency 1s on, 9s off): ≥ 200,000 times;
	Small 8 Foot	At room temperature, 5A 250V/30VDC (frequency 1s on, 9s off): ≥400,000 times; at room temperature, 7A 250V/30VDC (frequency 1s on, 9s off): ≥250,000 times; At room temperature, 12A 250V/30VDC (frequency 1s on, 9s off): ≥ 100,000 times;
	Small 14 Foot	At room temperature, 3A 250V/30VDC (frequency 1s on, 9s off): ≥400,000 times; at room temperature, 5A 250V/30VDC (frequency 1s on, 9s off): ≥100,000 times;
Mechanical Life Test	≥ 20 million times (switching frequency: 18000 Ops/h) Refer to	
ESD Static Electricity	GB/T14048.5	
LED Rated Current	Human body mode: 2KV, 8KV can be customized	
LED Lamp Bead Type	≤ 10mA	
LED Step-down Method	SMD Promise Dual Chip LED	
LED Life	Built-in step-down resistor	
Certified Product	≥ 50000h (reference value) CCC, CE, RoHS, REACH (customized)	
Patent No	ZL202130261820.7	
Warranty	66 Months	

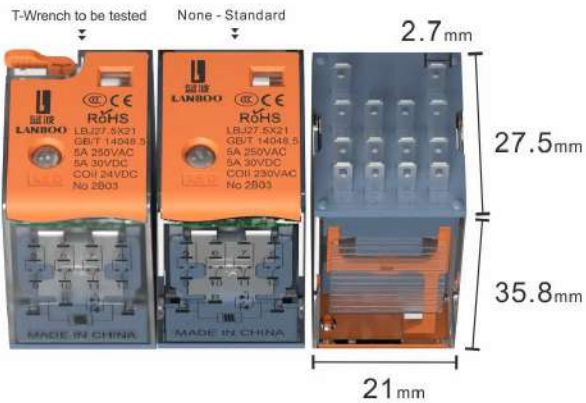
Product Information



LBJ21A-22(22T)/DC24V/12A Big Foot	
electric shock	22 - 2NO2NC
Resistive load	12A 250VAC / 12A 30VDC
Inductive load	4A 250VAC / 4A 30VDC
heating current	15A 250VAC



LBJ21A-22D(22DT)/DC24V/12A Small Foot	
electric shock	22 - 2NO2NC
Resistive load	12A 250VAC / 12A 30VDC
Inductive load	4A 250VAC / 4A 30VDC
heating current	15A 250VAC



LBJ21A-44(44T)/DC24V/12A Small Foot	
electric shock	44 - 4NO4NC
Resistive load	5A 250VAC / 5A 30VDC
Inductive load	1.5A 250VAC / 1.5A 30VDC
heating current	8A 250VAC

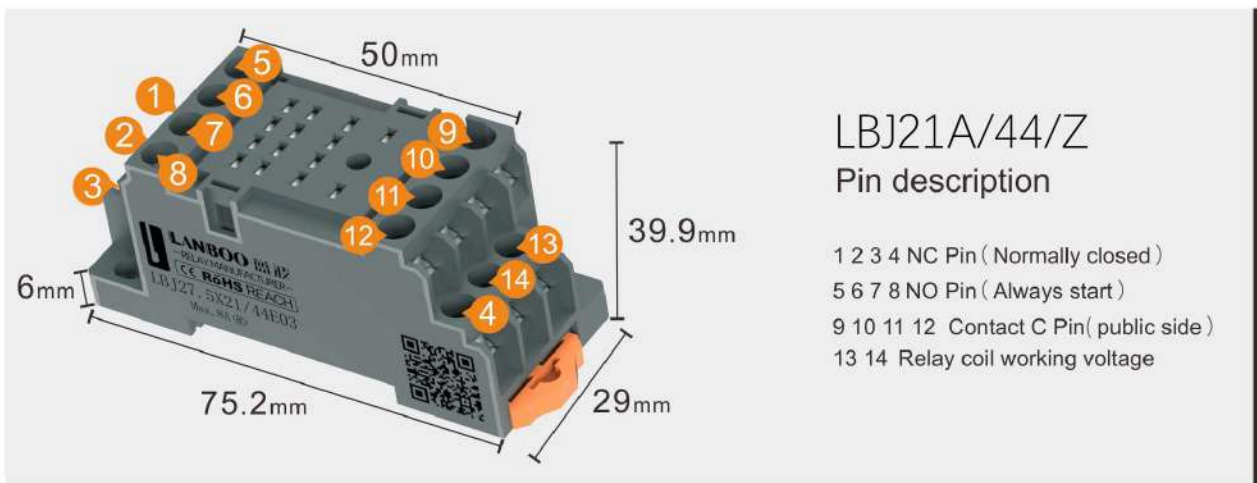
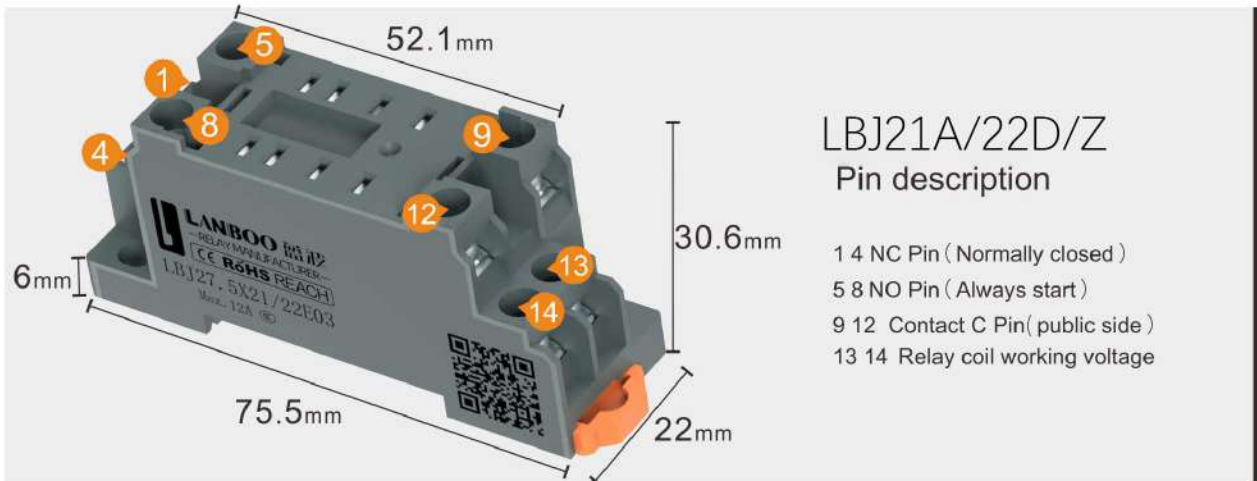
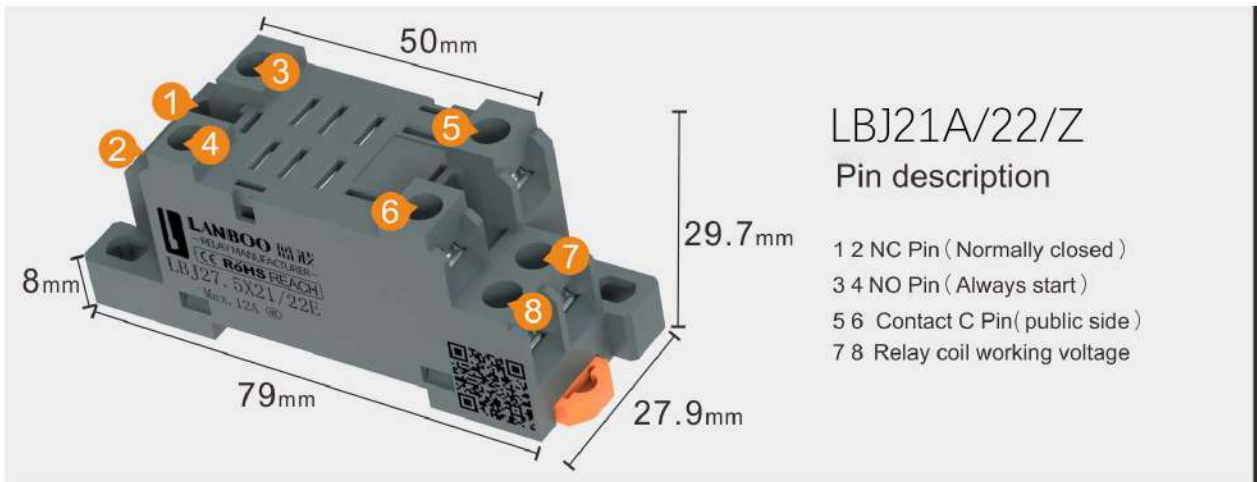
Model description/selection, writing example: LBJ27.5X21-44/DC24V5A

Number	LB	1	■	2	★	3	-	◆	4	◇	5	/	⊙	6	/	▲	7
1	LB	LANBOO Code			5	Operate	T-Wrench to be tested / None - Standard										
2	Class Code	J - Relay			6	Coil voltage	DC12V, DC24V, AC230V. Other Customization: AC/DC6V, AC/DC48V										
3	Serial	27.5X21					AC/DC60V, AC/DC/110V, AC12V, DC230V										
4	Contact	44-4NO4NC			7	Current	12A / 5A										

Product Information

Relay related parameter information

Base Parameters



Base Parameters

Base related parameter information

Test Wrench, Special Base

State before normally open and normally closed switching



1. Not showing status



2. The contact state is not switched

The state after normally open and normally closed switching



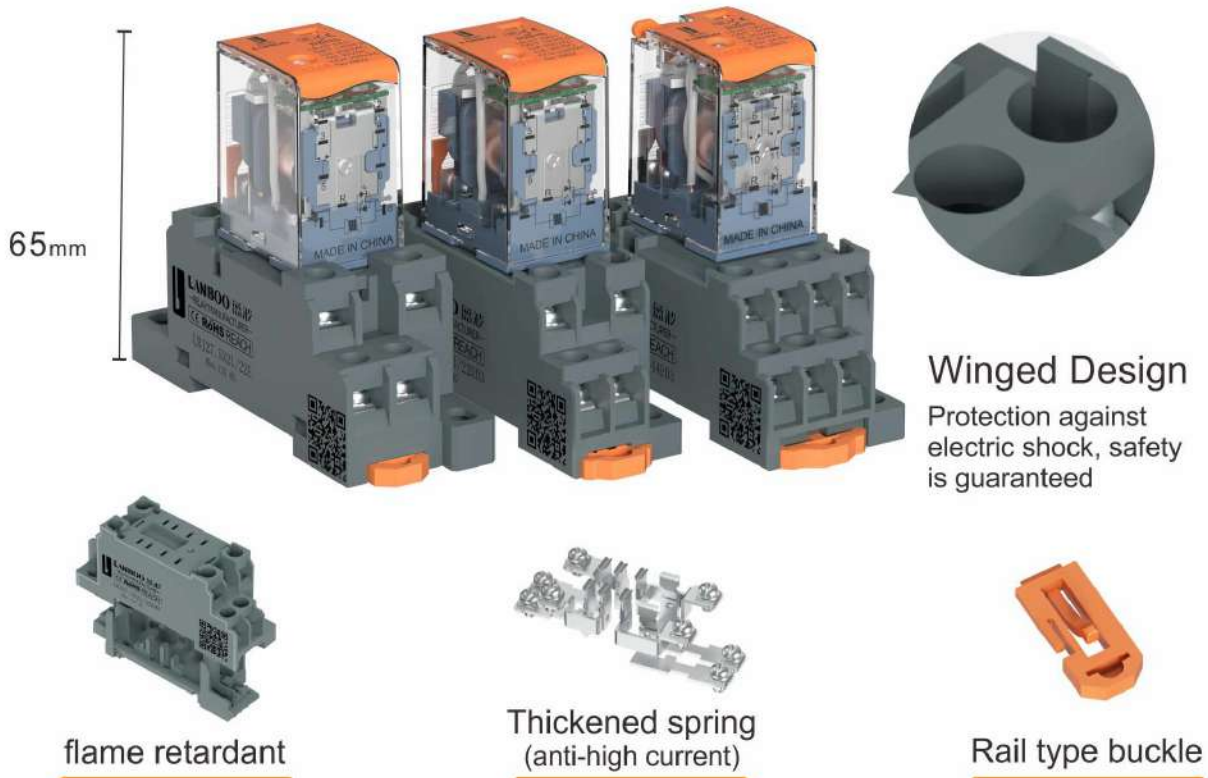
2. Display status



2. switch contact state

Test Wrench

It is convenient to detect and observe the quality of the contact when it is not powered on



Winged Design

Protection against electric shock, safety is guaranteed

flame retardant

Thickened spring
(anti-high current)

Rail type buckle

Special Base

Flame-retardant and temperature-resistant, rail-type special base, easy to connect

Jumper Strip



RELAY SERIES

Intermediate Relay Series

LBJ21A

BASE JUMPER

RELEVANT PARAMETER INFORMATION

Blue **Red** **Black** Three colors are available, and the spacing is 29mm and 22mm. Any length can be cut according to the requirements. One piece has 10 ends.

Large 8 pin/small 14 pin/special for base



Special for small 8-pin base

