

15W, AC-DC converter



## FEATURES

- Ultra-wide 85 - 305VAC and 100 - 430VDC input voltage range
- Operating ambient temperature range: -40°C to +85°C
- Up to 86% efficiency
- No-load power consumption < 0.1W
- 5000m altitude application
- OVC III (meet EN61558-1)
- EMI performance meets CISPR32/EN55032 CLASS B, EN55014

LD15-23BxxR2 series AC-DC converters is one of Mornsun's new generation compact size power converter. It features ultra-wide AC input and at the same time accepts DC input voltage, low power consumption, low ripple & noise, high efficiency, high reliability, reinforced isolation. It offers good EMC performance compliant to IEC/EN61000-4 and CISPR32/EN55032 and meets IEC/EN/UL62368/EN60335/EN61558/IEC/EN60601-1/ANSI/AAMI ES60601-1 standards. The converters are widely used in industrial, power, medical treatment, home appliances, instrumentation, communication and civil applications. For extremely harsh EMC environment, we recommend using the application circuit show in Design Reference of this datasheet.

## Selection Guide

Certification	Part No.*	Output Power	Nominal Output Voltage and Current	Efficiency at 230VAC (%) Typ.	Capacitive Load (uF) Max.
UL/EN/IEC	LD15-23B03R2	13.2W	3.3V/4000mA	82	6600
	LD15-23B05R2		5V/3000mA	85	5000
	LD15-23B09R2		9V/1670mA	84	3000
	LD15-23B12R2		12V/1250mA	85	2000
	LD15-23B15R2		15V/1000mA	85	1500
	LD15-23B24R2		24V/625mA	86	680

Note: \* Use suffix "A2S" for chassis and suffix "A4S" for DIN-Rail mounting.

## Input Specifications

Item	Operating Conditions	Min.	Typ.	Max.	Unit
Input Voltage Range	AC input	85	--	305	VAC
	DC input	100	--	430	VDC
Input Frequency		47	--	63	Hz
Input Current	115VAC	--	--	0.45	A
	230VAC	--	--	0.30	
Inrush Current	115VAC	--	30	--	
	230VAC	--	60	--	
Leakage Current	277VAC/50Hz	0.1mA RMS Max.			
Built In Fuse		2A/300V, slow-blow			
Hot Plug		Unavailable			

## Output Specifications

Item	Operating Conditions	Min.	Typ.	Max.	Unit
Output Voltage Accuracy		--	±2	--	%
Line Regulation	Full load	--	±0.5	--	
Load Regulation	0%-100% load	--	±1	--	
Ripple & Noise*	20MHz bandwidth (peak-to-peak value)	--	70	120	mV

Stand-by Power Consumption	230VAC	3.3/5/9/12/15V	--	--	0.10	W
		24V	--	--	0.12	
Temperature Coefficient			--	±0.02	--	%/°C
Short Circuit Protection			Hiccup, continuous, self-recovery			
Over-current Protection			≥110%Io, self-recovery			
Over-voltage Protection	3.3/5V		≤7.5VDC (Output voltage clamp or hiccup)			
	9V		≤15VDC (Output voltage clamp or hiccup)			
	12/15V		≤20VDC (Output voltage clamp or hiccup)			
	24V		≤30VDC (Output voltage clamp or hiccup)			
Minimum Load		0	--	--	--	%
Hold-up Time	115VAC		--	10	--	ms
	230VAC		--	55	--	

Note: \*The "Tip and barrel method" is used for ripple and noise test, output parallel 10uF electrolytic capacitor and 1uF ceramic capacitor, please refer to AC-DC Converter Application Notes for specific information.

## General Specifications

Item	Operating Conditions		Min.	Typ.	Max.	Unit
Isolation	Input-output	Electric Strength Test for 1min., leakage current <5mA	4000	--	--	VAC
Insulation Resistance	Input-output	At 500VDC	100	--	--	MΩ
Operating Temperature			-40	--	+85	°C
Storage Temperature			-40	--	+85	
Storage Humidity			--	--	95	%RH
Soldering Temperature	Wave-soldering		260 ± 5°C; time: 5 - 10s			
	Manual-welding		360 ± 10°C; time: 3 - 5s			
Switching Frequency			--	65	--	kHz
Power Derating	+50°C to +70°C	3.3/5V	3.00	--	--	% / °C
	+55°C to +70°C	9/12/15/24V	2.67	--	--	
	+70°C to +85°C		0.66	--	--	
	85VAC - 100VAC		1.33	--	--	% / VAC
	277VAC - 305VAC		0.71	--	--	
	2000 - 5000m		6.7	--	--	
Safety Standard			IEC/UL62368-1, EN61558-1, EN60335-1 Safety Approval & EN62368-1 (Report); Design refer to IEC/EN60601-1/ANSI/AAMI ES60601-1			
Safety Class			CLASS II			
MTBF			MIL-HDBK-217F@25°C > 3,200,000 h			
Designed Life	230VAC	Ta: 25°C 100% load	>130x10 <sup>3</sup> h			
		Ta: 55°C 100% load	>27x10 <sup>3</sup> h			

## Mechanical Specifications

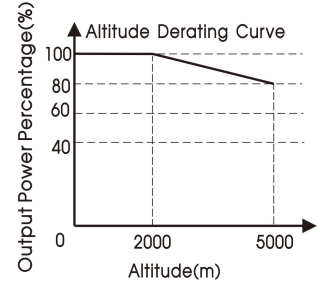
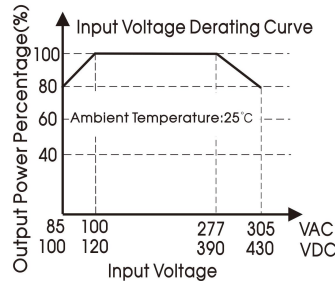
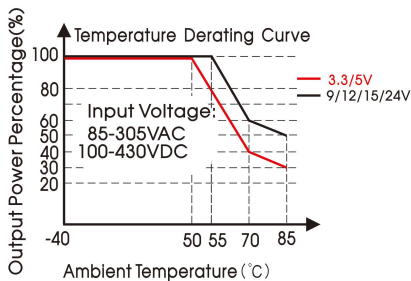
Case Material	Black plastic, flame-retardant and heat-resistant (UL94V-0)	
Dimension	DIP package	47.60 x 26.80 x 23.50 mm
	A2S chassis mounting	76.00 x 31.50 x 32.30 mm
	A4S Din-Rail mounting	76.00 x 31.50 x 36.90 mm
Weight	DIP	48g (Typ.)
	A2S chassis mounting	68g (Typ.)
	A4S Din-Rail mounting	88g (Typ.)
Cooling method	Free air convection	

Electromagnetic Compatibility (EMC)

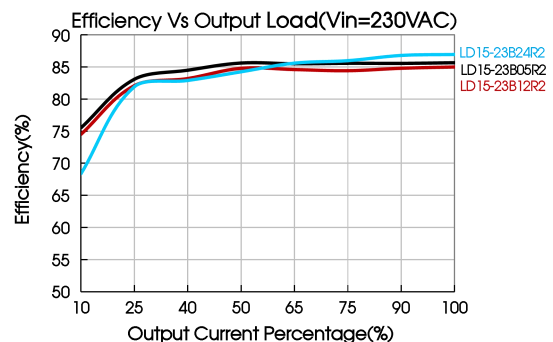
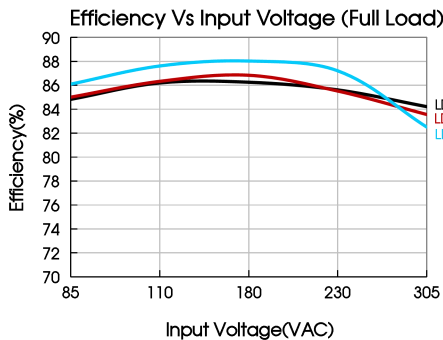
Emissions	CE	CISPR32/EN55032 CLASS B	
		CISPR11/EN55011 CLASS B	
		EN55014-1	
Immunity	RE	CISPR32/EN55032 CLASS B	
		CISPR11/EN55011 CLASS B	
		EN55014-1	
Immunity	ESD	IEC/EN 61000-4-2 Contact $\pm 8KV$	perf. Criteria B
		IEC/EN55014-2	perf. Criteria B
	RS	IEC/EN61000-4-3 10V/m	perf. Criteria A
		IEC/EN55014-2	perf. Criteria A
	EFT	IEC/EN61000-4-4 $\pm 2KV$	perf. Criteria B
		IEC/EN61000-4-4 $\pm 4KV$ (See Fig.1 for typical application circuit)	perf. Criteria B
		IEC/EN61000-4-4 $\pm 4KV$ (See Fig. 2 for recommended circuit)	perf. Criteria A
		IEC/EN55014-2	perf. Criteria B
	Surge	IEC/EN61000-4-5 line to line $\pm 1KV$	perf. Criteria B
		IEC/EN61000-4-5 line to line $\pm 2KV$ (See Fig.1 for typical application circuit)	perf. Criteria B
		IEC/EN61000-4-5 line to line $\pm 2KV$ /line to ground $\pm 4KV$ (See Fig. 2 for recommended circuit)	perf. Criteria A
		IEC/EN55014-2	perf. Criteria B
CS	IEC/EN61000-4-6 10Vr.m.s	perf. Criteria A	
	IEC/EN55014-2	perf. Criteria A	
Voltage dip, short interruption and voltage variation	IEC/EN61000-4-11 0%, 70%	perf. Criteria B	
	IEC/EN55014-2	perf. Criteria B	

Note: When the output terminal of the product needs to be connected to PE through a Y capacitor, or close to the metal frame, please refer to the Fig.2 for recommended circuit.

Product Characteristic Curve



Note: ① With an AC input between 85-100V/277-305VAC and a DC input between 100-120V/390-430VDC, the output power must be derated as per temperature derating curves;  
② This product is suitable for applications using natural air cooling; for applications in closed environment please consult Mornsun FAE.



Design Reference

1. Typical application

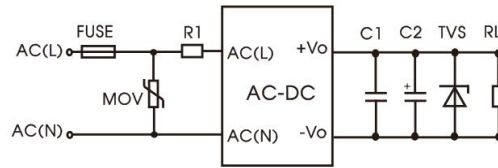


Fig. 1: Typical circuit diagram

Part No.	FUSE	MOV	R1	C1	C2	TVS
LD15-23B03R2	3.15A/300V, slow-blow, required	S14K350	6.8Ω /3W (wire-wound resistor, required)	1μF/50V	220μF/16V	SMBJ7.0A
LD15-23B05R2					220μF/16V	SMBJ7.0A
LD15-23B09R2					100μF/25V	SMBJ12A
LD15-23B12R2					100μF/25V	SMBJ20A
LD15-23B15R2					100μF/25V	SMBJ20A
LD15-23B24R2					100μF/35V	SMBJ30A

Output Filter Components:

We recommend using an electrolytic capacitor with high frequency, and low ESR rating for C2 (refer to manufacture’s datasheet). Choose a Capacitor voltage rating with at least 20% margin, in other words not exceeding 80%. C1 is a ceramic capacitor used for filtering high-frequency noise and TVS is a recommended suppressor diode to protect the application in case of a converter failure.

2. EMC compliance recommended circuit

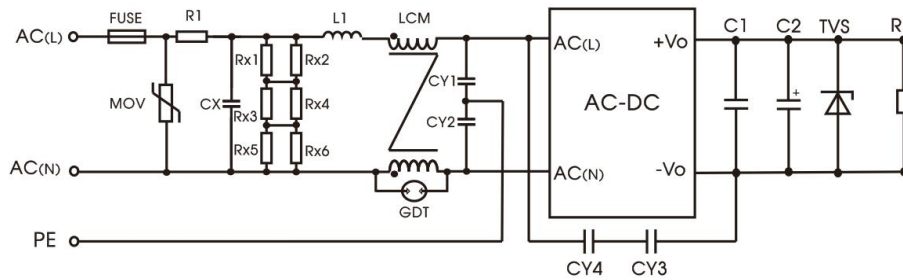


Fig. 2: EMC application circuit with higher requirements

(Recommended when the output terminal of the product needs to be connected to PE or connected to PE through a Y capacitor)

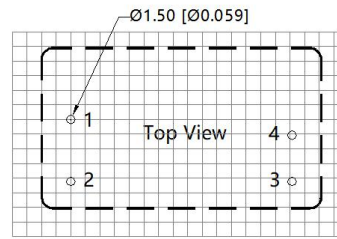
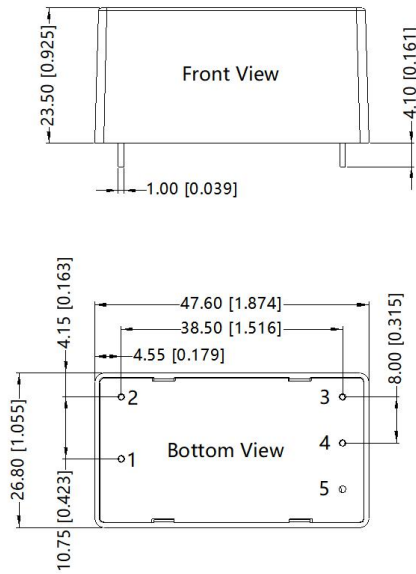
Component	Recommended value
FUSE	3.15A/300V, slow-blow, required
MOV	S14K350
CX	334K/305VAC
R1	12Ω /5W (wire-wound resistor, required)
L1	1.2mH/0.5A
CY1/CY2	2.2nF/400VAC
CY3/CY4	1nF/400VAC
GDT	300V/1KA
LCM	20 mH, P/N: FL2D-10-203 (MORNSUN) is recommended

Note: Rx1/Rx2/Rx3/Rx4/Rx5/Rx6 is the bleeder resistance of CX, and the recommended resistance value is 1.5MΩ /150VDC.

3. For additional information please refer to application notes on [www.mornsun-power.com](http://www.mornsun-power.com).

Dimensions and Recommended Layout

THIRD ANGLE PROJECTION 



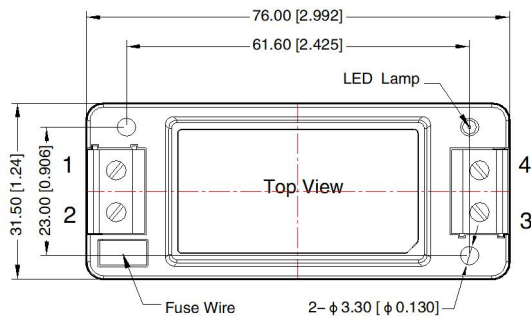
Note: Grid 2.54\*2.54mm

Pin-Out	
Pin	Function
1	AC(L)
2	AC(N)
3	-Vo
4	+Vo
5	No Pin

Note:  
Unit: mm[inch]  
Pin diameter tolerances:  $\pm 0.10[\pm 0.004]$   
General tolerances:  $\pm 0.50[\pm 0.020]$

A2S Dimensions

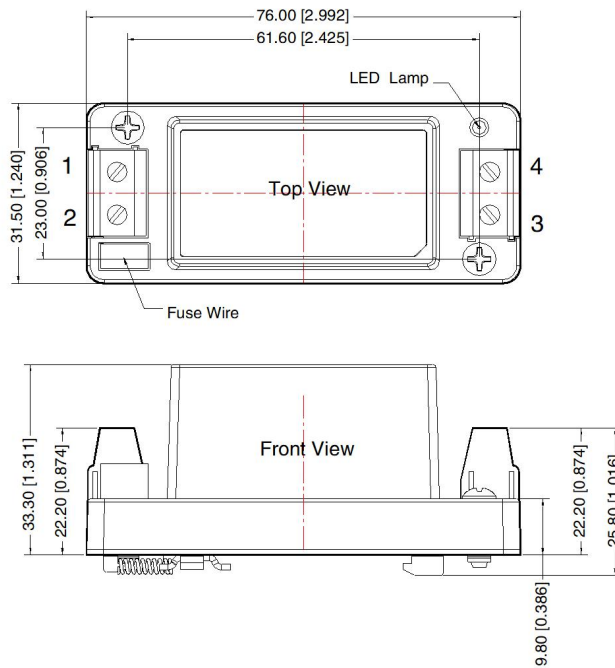
THIRD ANGLE PROJECTION 



Pin-Out	
Pin	Function
1	AC(N)
2	AC(L)
3	-Vo
4	+Vo

Note:  
Unit: mm[inch]  
Wire range: 24-12 AWG  
Tightening torque: Max 0.4 N·m  
General tolerances:  $\pm 1.00[\pm 0.039]$

A4S Dimensions



THIRD ANGLE PROJECTION

Pin-Out	
Pin	Function
1	AC(N)
2	AC(L)
3	-Vo
4	+Vo

Note:  
Unit: mm[inch]  
Wire range: 24-12 AWG  
Tightening torque: Max 0.4 N·m  
Mounting rail: TS35, rail needs to connect safety ground  
General tolerances:  $\pm 1.00$  [  $\pm 0.039$  ]

Note:

- For additional information on Product Packaging please refer to [www.mornsun-power.com](http://www.mornsun-power.com). Packaging bag number: 58220011 (DIP package); 58220022 (A2S/A4S package);
- If the product is not operated within the required load range, the product performance cannot be guaranteed to comply with all parameters in the datasheet;
- Unless otherwise specified, parameters in this datasheet were measured under the conditions of  $T_a=25^\circ\text{C}$ , humidity<75% with nominal input voltage and rated output load;
- All index testing methods in this datasheet are based on our company corporate standards;
- We can provide product customization service, please contact our technicians directly for specific information;
- Products are related to laws and regulations: see "Features" and "EMC";
- Our products shall be classified according to ISO14001 and related environmental laws and regulations, and shall be handled by qualified units.

Mornsun Guangzhou Science & Technology Co., Ltd.

Address: No. 5, Kehui St. 1, Kehui Development Center, Science Ave., Guangzhou Science City, Huangpu District, Guangzhou, P. R. China  
Tel: 86-20-38601850 Fax: 86-20-38601272 E-mail: info@mornsun.cn www.mornsun-power.com