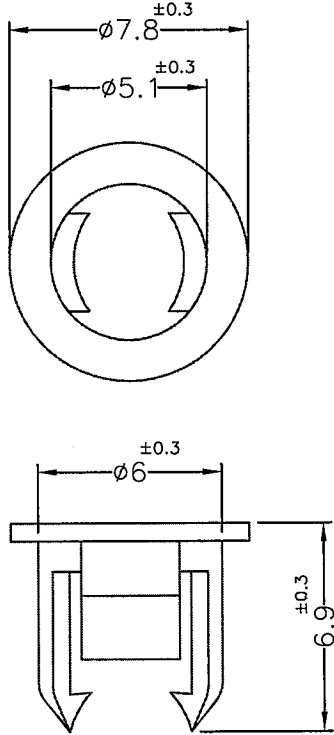


REVISIONS			
REV	DESCRIPTION	DATE	BY



MOUNTING HOLE: $\phi 6\text{mm}$
 THICKNESS: 1.8mm(MAX)

PART NO.	COLOR
LED5-5	BLACK
LED5-5(N)	NATURAL

NOTE:1. SHRINKING IS NORMAL STATUS.

內縮為正常現象.

2. MADE OF EQUIVALENT MATERIAL.

均可使用同等材質.

3. THE COLOR BATCH TEST REPORT IS ONLY FOR FIRST LOT TEST.

色母環保檢測報告, 僅提供原始測試報告.



<p>康揚企業股份有限公司 KANG YANG HARDWARE ENTERPRISE CO., LTD. 康揚塑膠(東莞)有限公司 KANG YANG PLASTIC(DONG GUAN)CO.,LTD. 康哲電腦配件(吳江)有限公司 KANG CHE COMPUTER COMPONENTS(WUJIANG) CO.,LTD.</p>				TITLE	LED HOLDER	SPEC. DWG.	
				MATERIAL	NYLON 66 UL94V-2	DATE	1999.12.31
				FINISH		DRAWN	S.J.C
				COLOR	SEE ABOVE	CHECK	李柏睿
PART NUMBER	SEE ABOVE	DRAWING NUMBER	LED5-5H	UNLESS OTHERWISE SPECIFIED TOLERANCE	SEE ABOVE	APPROVED	Kang
SIZE	A4	SCALE	4:1	UNIT	mm	REV	A