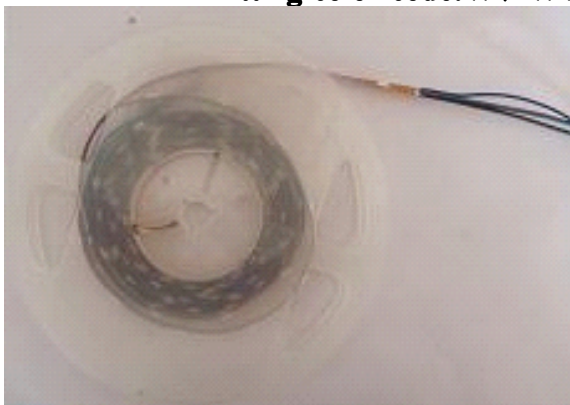
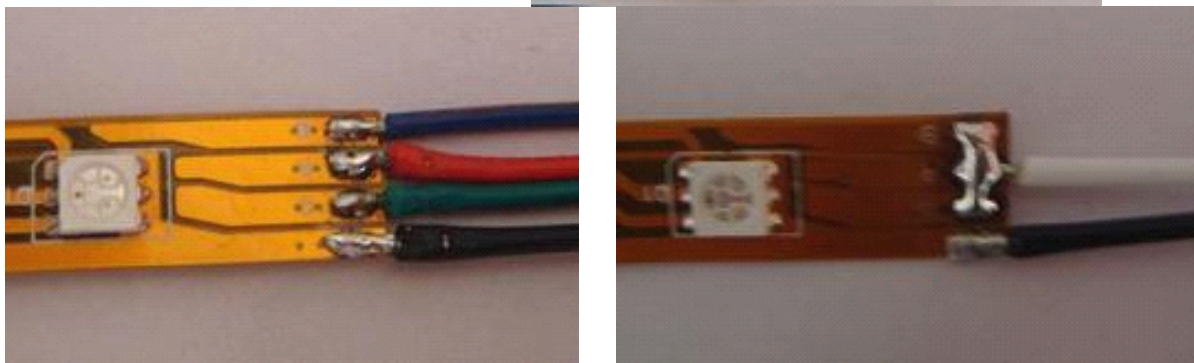


P/N : ML-ZJL3 (□ □) -SL01-IN

→ **Emitting color code:W、WW、A(RGB)**

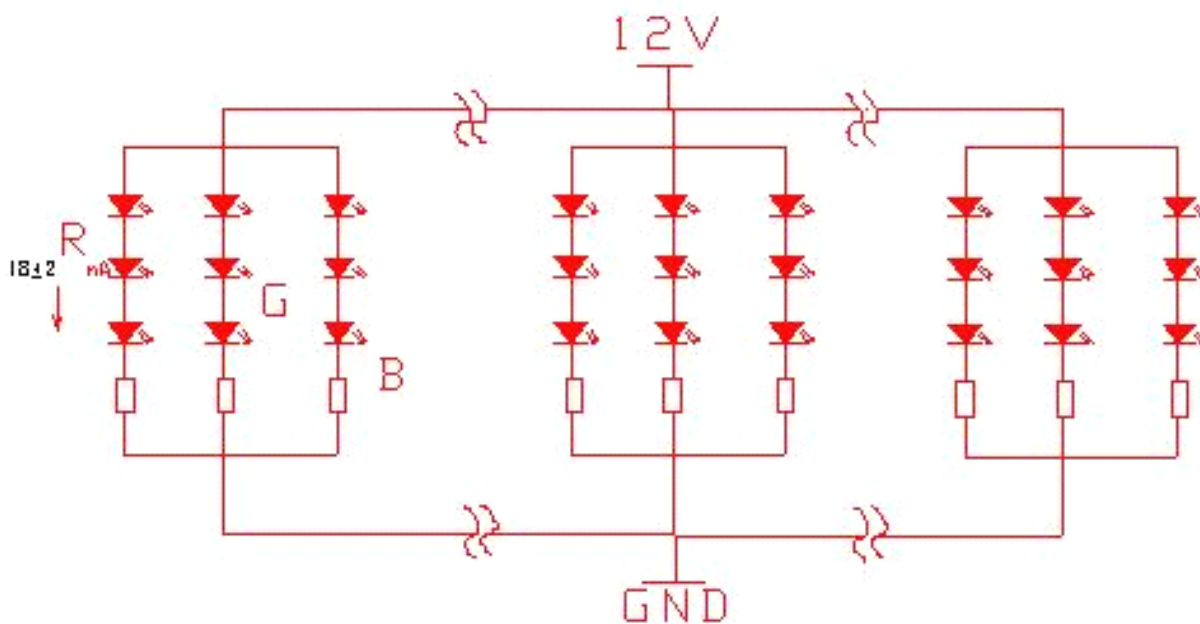


PACKAGE DIMENSIONS



Help:Black power lines is the positive electrode,and different colors representing different light with color.Full-color series has four lines that is Red,Green,Blue and Black.

INTERNAL CIRCUIT DIAGRAM



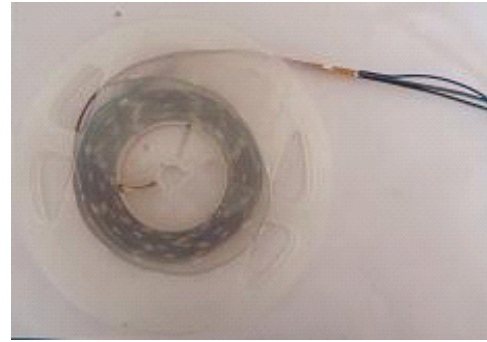
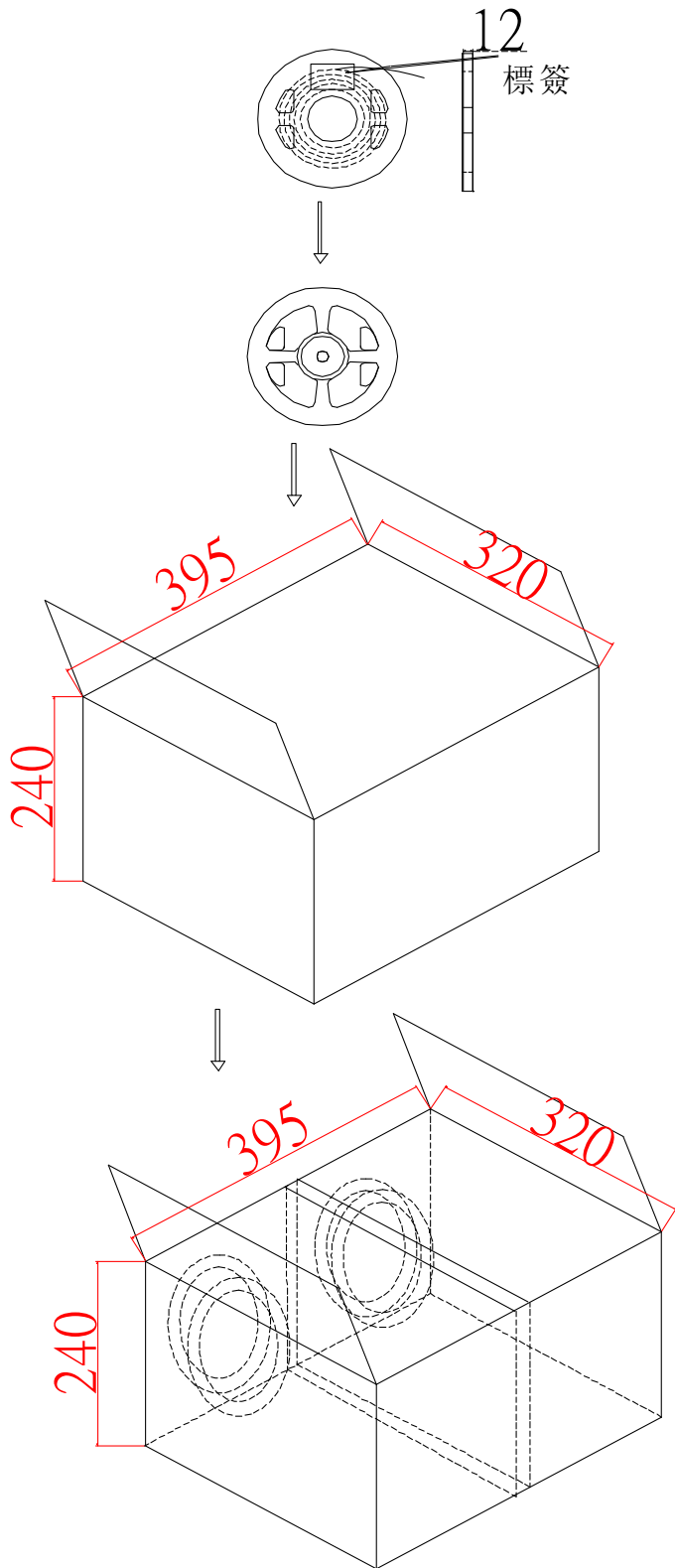
FEATURES

Parameter	Value						Unit
LED Color	White	Warm White	Full-color				
Color Code	W	WW	R	G	B	W	P/N
Luminous Intensity Per LED	750	710	123	595	58	720	Mcd
Temperature Color	6500	2500				5500	Tc
Wave length			620	525	460		nm
LED Type	5050 RGB、White、Warm White						
Width of the light	12						mm
Length of the light	5						M
Group number	50						PCS
Viewing Angle	120						Deg
Operating Voltage	12						V
Operating Current per unit (R、G、B)W	(R、G、B)=17±2、W=(17±2)*3						mA
Operating Current per set (R、G、B)W	(R、G、B)=0.85±0.1、W=(0.85±0.1)*3						A
Power Dissipation per unit (R、G、B)W	(R、G、B)=0.25、W=0.25*3						W
Power Dissipation per set (R、G、B)W	(R、G、B)=12、W=12*3						W
Operating Temperature	-25 ~ +60						°C
Storage Temperature	-40 ~ +80						°C
Weight per Unit	1±0.1						g

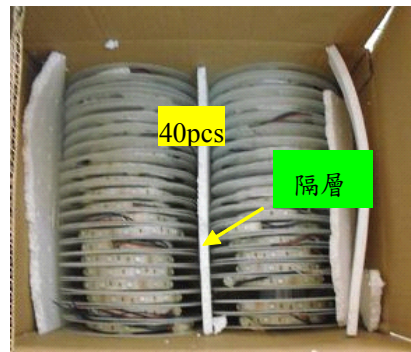
Precautions For Use:

Such lamps with indoor use, can not be used for outdoor.

Package Dimensions (Unit:mm)



Q'TY :	40	PCS
N.W. :	數量	箱體尺寸
G.W. :		KGS
MEST. 39.5 X 32 X 24 CM		



40set / BOX