

承認書

SPECIFICATION FOR APPROVAL

CUSTOMER : R.C.S(烏克蘭)
MODEL NAME : CHOKE
CUSTOMER P/N : RC-T4426-121K
L.T.E. PARTNO. : E03-12441212-00
DATE : 2010.10.27

核 準 APPROVED	校 對 CHECKED	承 辦 ISSUED
		

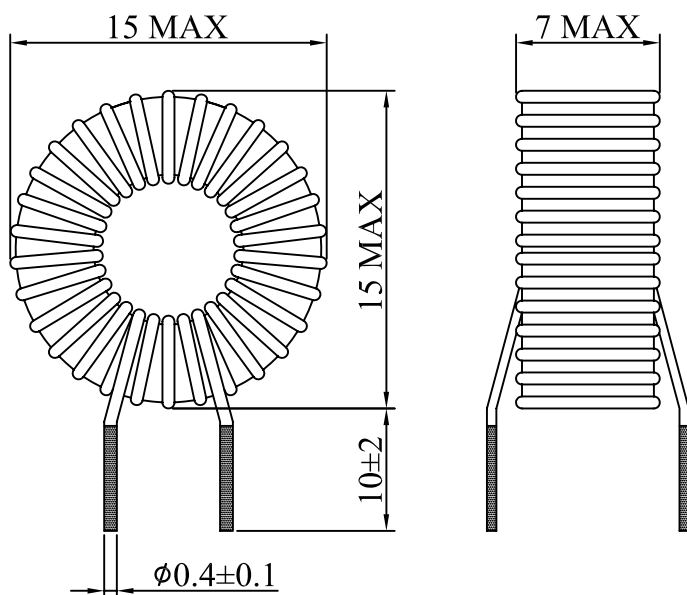
客 戶 承 認 FOR CUSTOMER APPROVAL	
簽 名 SIGNATURE	日 期 DATE



力英電子股份有限公司
Li Tone Electronics (L.T.E.) Co., Ltd
臺北縣三峽鎮介壽路1段311巷29號
No.29, Lane 311, Sec 1, JieSou Rd.
Sanhsia, Taipei, Taiwan 237
<http://www.LTE.com.tw>

TEL:+886-2-2673-2512
FAX:+886-2-2671-0294
+886-2-2671-9331
+886-2-8671-3701

1.CONFIGURATION DIMENSION. (UNIT: mm)



WIRE	TURNS
0.4 ϕ	55Ts (REF)

2.ELECTRICAL SPECIFICATIONS.

2-1.INDUCTANCE. 120uH \pm 10% @ 1KHZ 0.25V HP-4284A

2-2.D.C.RESISTANCE. 0.18 OHM MAX.

3.MATERIAL LIST.

NO/ITEM	MATERIAL	SUPPLIER
3-1.CORE.	IRON POWDER CORE. T44-26	MICROMETALS. QANG YI.
3-2.WIRE.	UEW(2UEW)130 $^{\circ}$ C	TAI-I COPPER(GUANG ZHOU)CO.,LTD. UL NO.E85640
3-3.SOLDER.	Sn99.3/Cu0.7	ALPHA METALS TAIWAN CO.,LTD.

* RoHS COMPLIANT.(無鉛制程)

CUSTOMER: R.C.S(烏克蘭)

CUSTOMER ISSUE: A

APPROVED BY: 劉 珍

PART NO. RC-T4426-121K

LTE ISSUE: 0.0

CHECKED BY: 羅 芳

DATE: 2010-10-27

PAGE: 1/1

DRAWN BY: 夏思平



力英電子股份有限公司
LI TONE ELECTRONICS CO., LTD.
臺北縣三峽鎮介壽路1段311巷29號
NO. 29, LANE 311, JIE SOU RU., SEC 1. SANHSIA
TOWAN TAIPEI HSIEN, TAIWAN R. O. C.

TEL:
(02) 2673 - 2512 - 6

FAX:
886 - 2 - 26710294
886 - 2 - 26736329