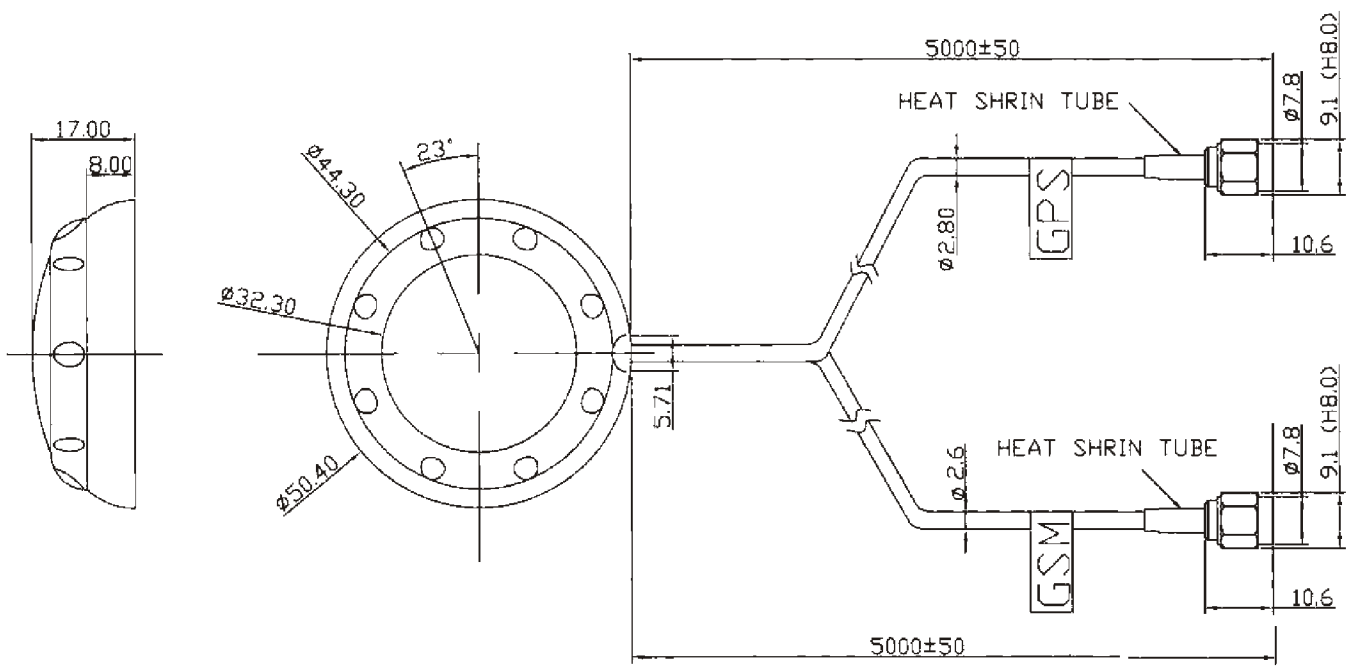


Cable	RG174/U	GSM	FME FE(NI)	Frequency	900/1800 MHz
Cover	SA80 ABS	GPS	SMA M (Gold)		1575.42 MHz
	POM	V.S.W.R	<1.5	Impedance	50 OHM
GSM DD	∅2.6±0.1	Gain	3dB		
GPS DD	∅2.8±0.1				



REV.	CONTENTS	DATE			
	Drawn	Lisa		Title: GSM/GPS Antenna	
<small>UNLESS OTHERWISE SPECIFIED TOLERANCE</small>	Designed	Nelson			
<small>Inch</small>	Approved	Vincent		Part No	SA80-SMAM-5
<small>.00 = ±0.01 .000 = ±0.050</small>	Rev:	A		Sheet	1
<small>mm</small>	Units	mm		Scale	: Size A4
<small>Ang</small>				Date:	02-02-2005